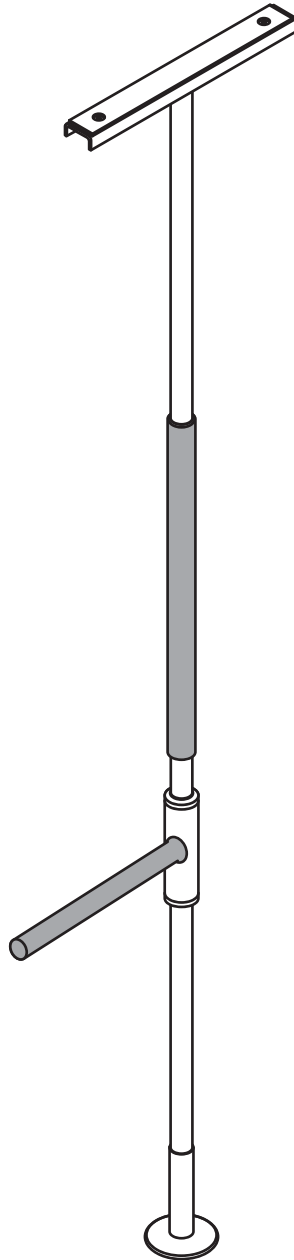
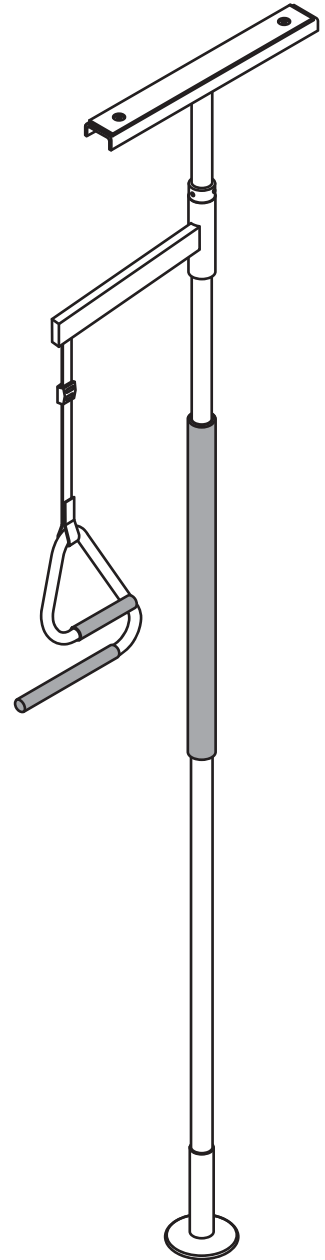


**SuperPole™**  
SP-S  
SP-HD

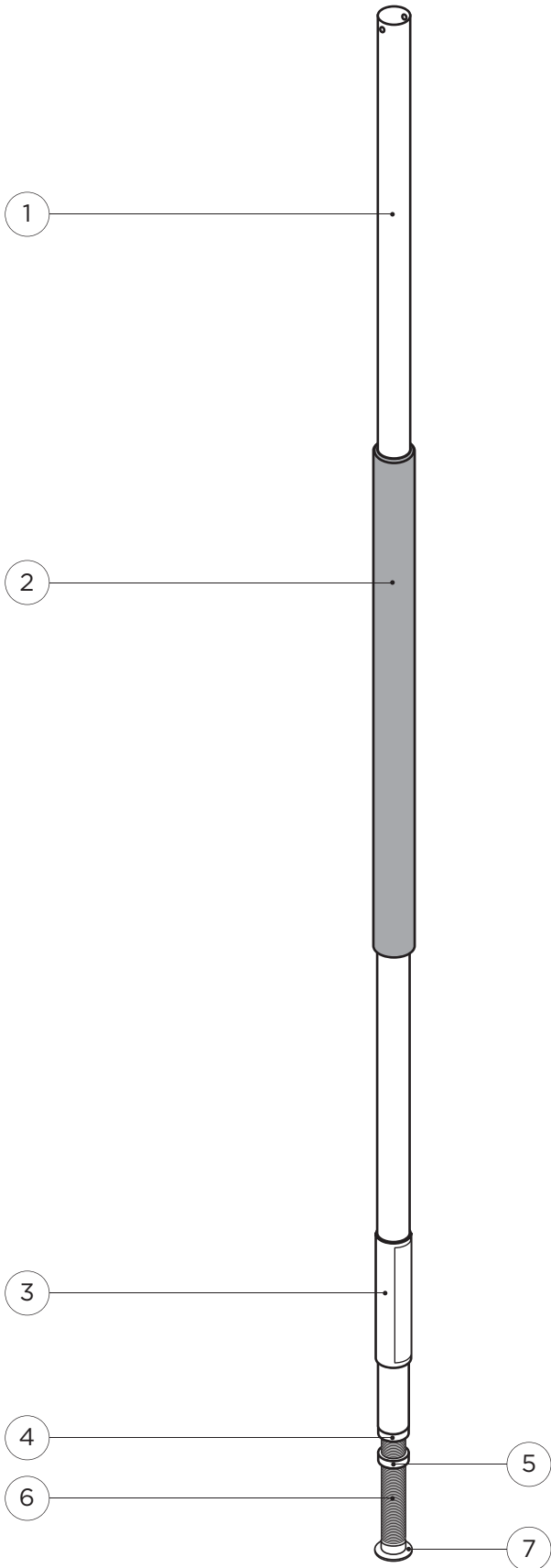


**SuperBar™**  
SPB-S  
SPB-HD  
SPB-AK  
(DC100 - RevE)

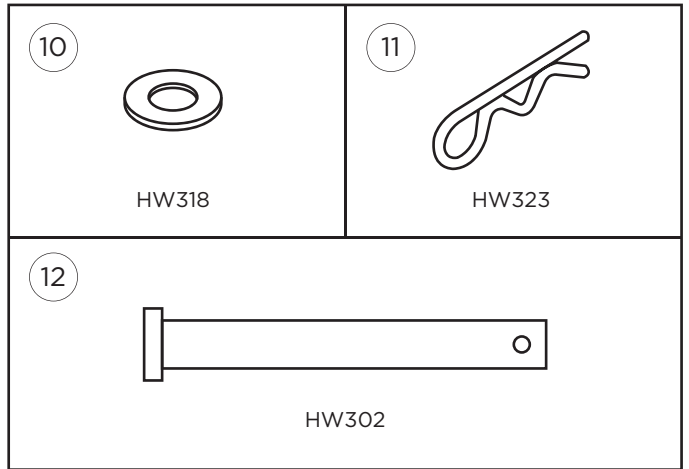
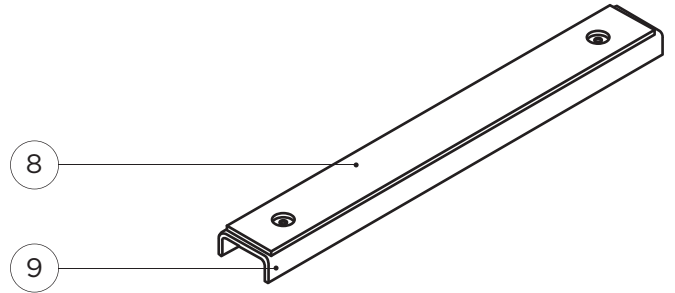


**SuperTrapeze™**  
STP-S  
STP-AK

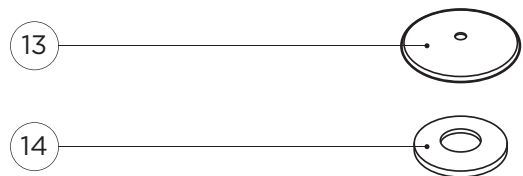
SP400 / HD



SP403 / HD

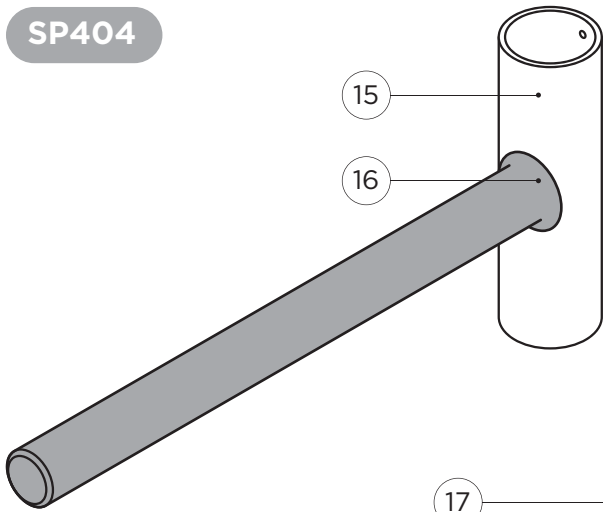


SP402

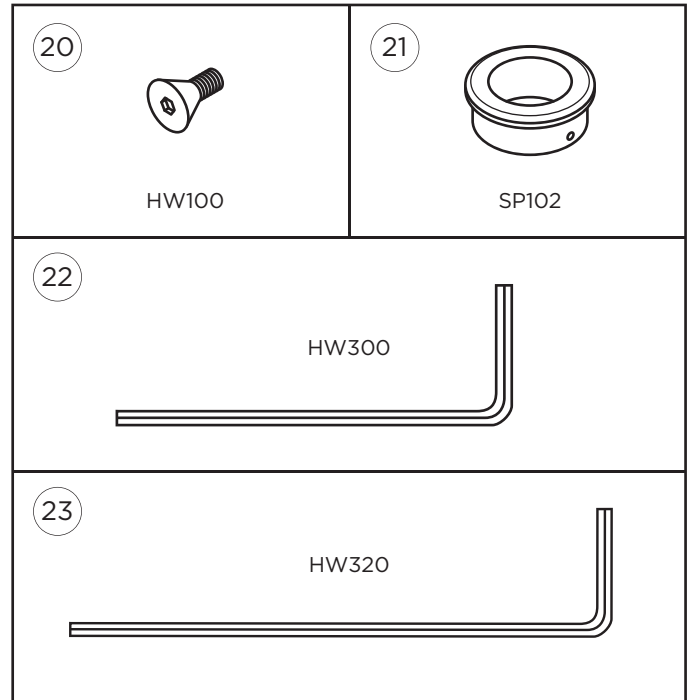
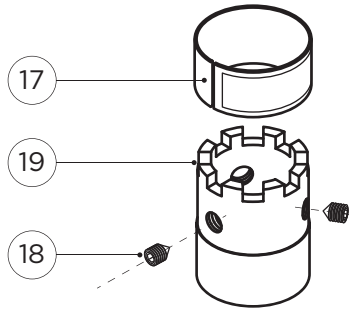


# B

SP404

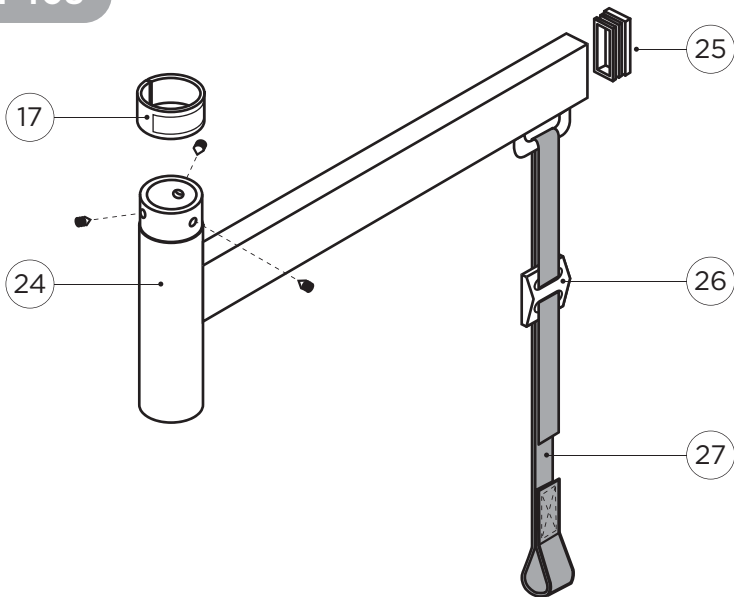


SP411

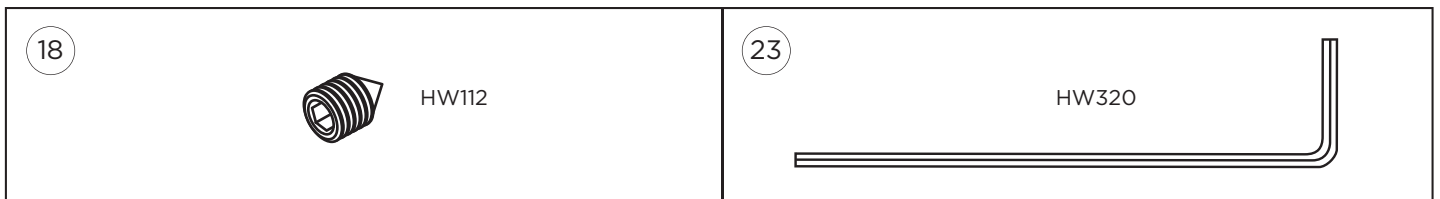
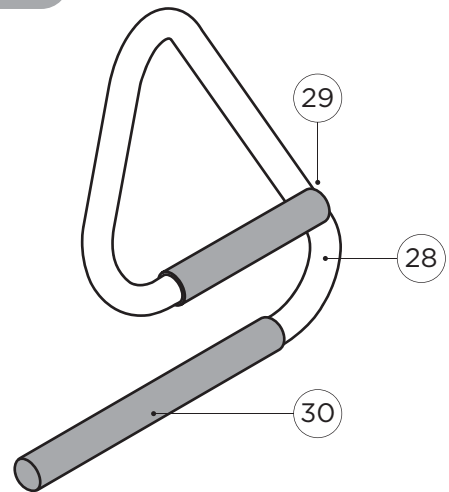


# C

SP408



SP409



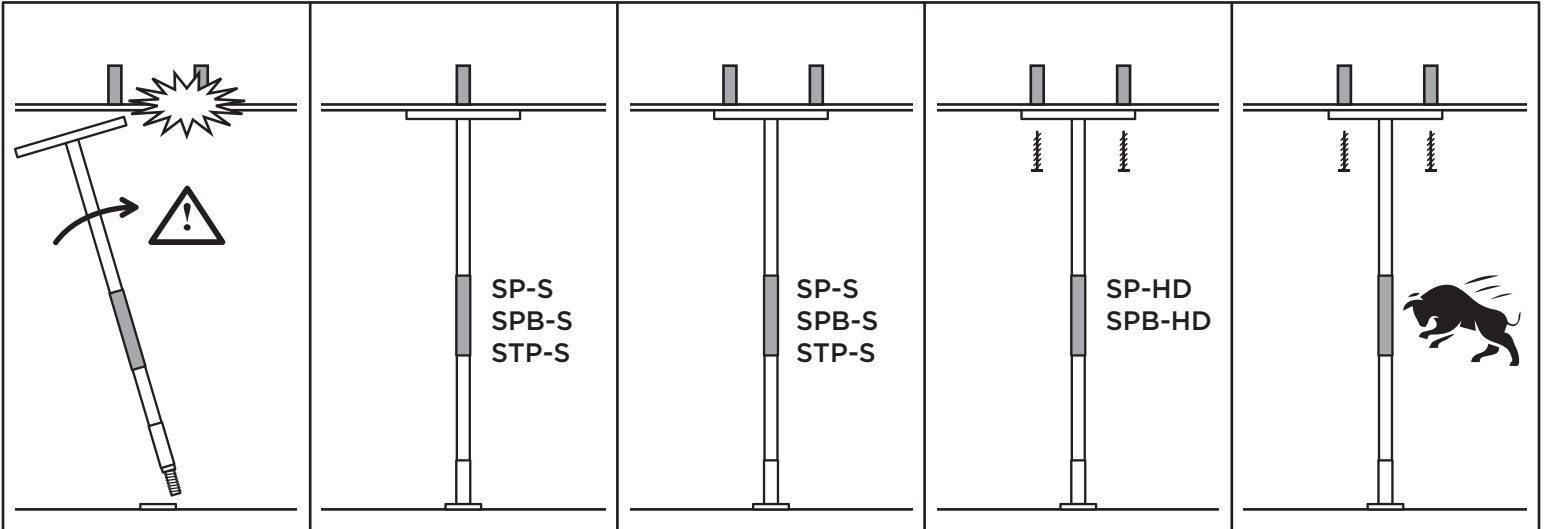
1

2

3

4

5



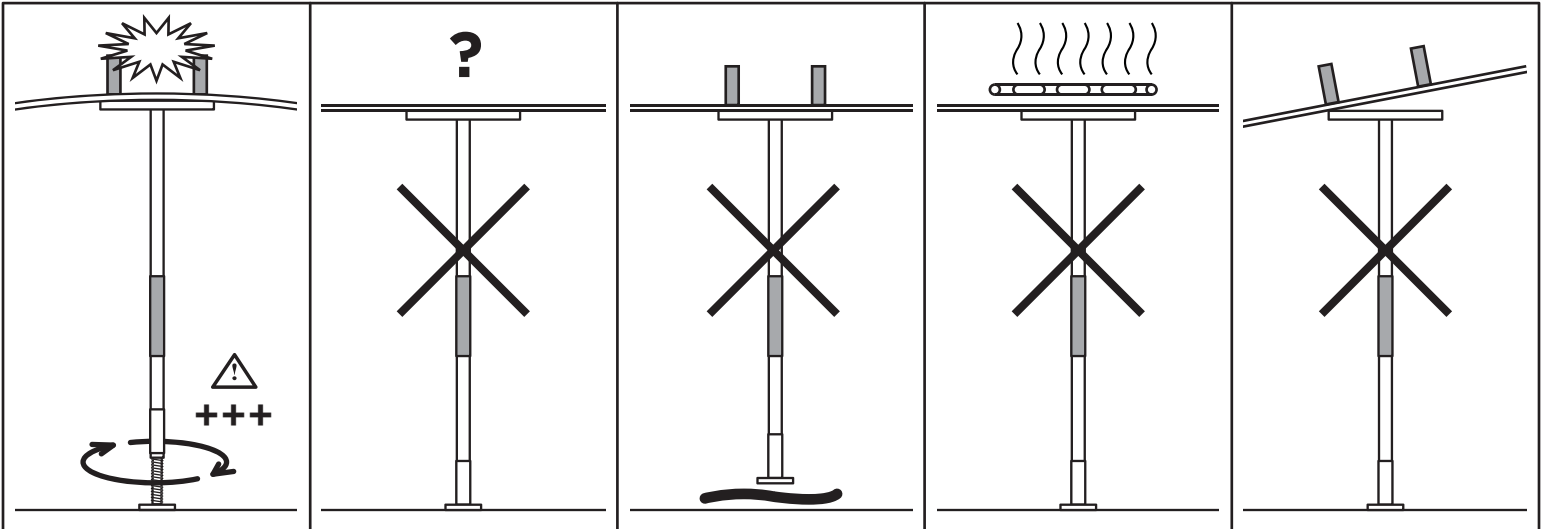
6

7

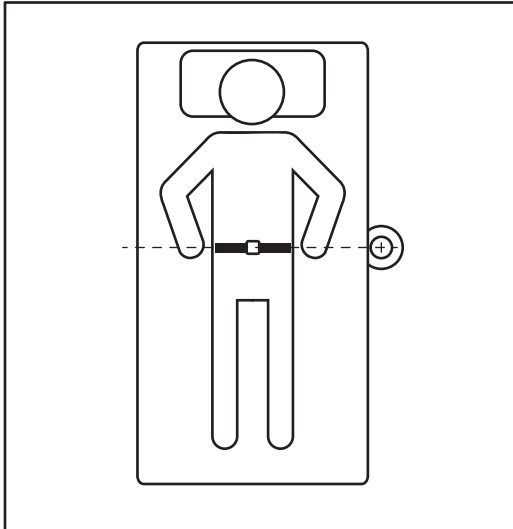
8

9

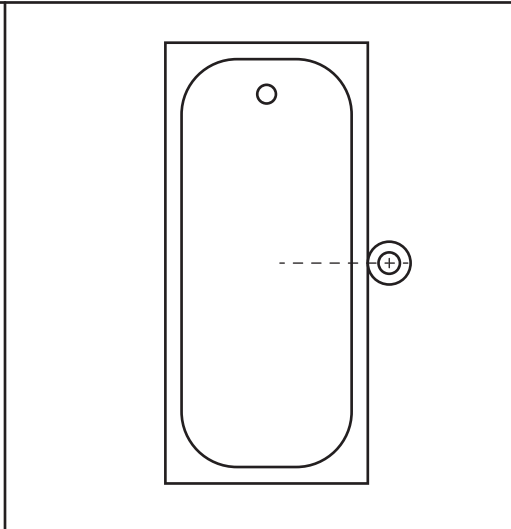
10



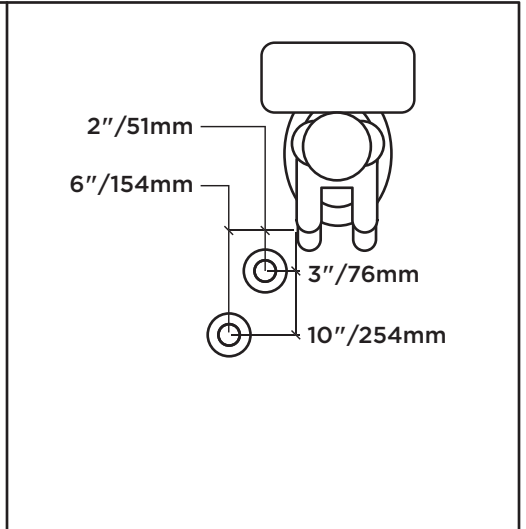
1



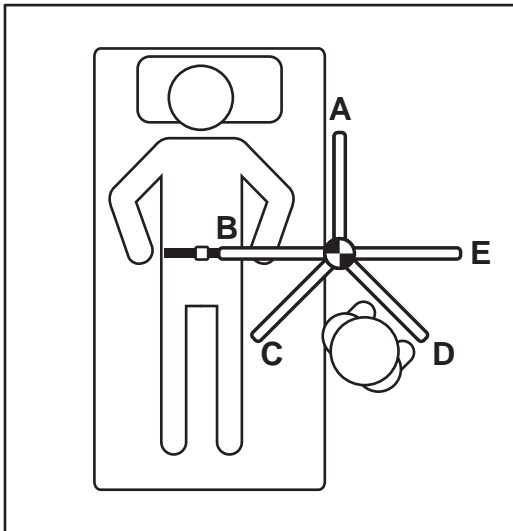
2



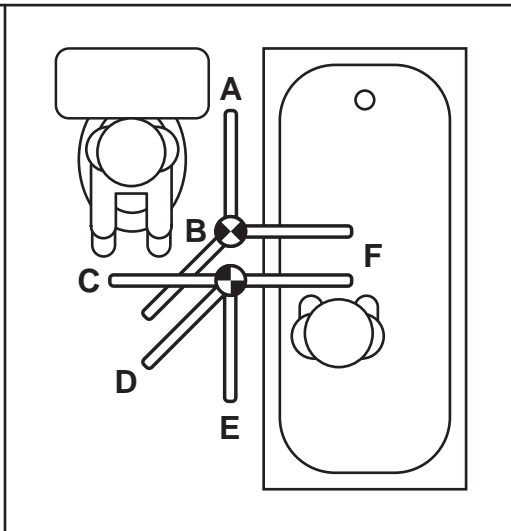
3



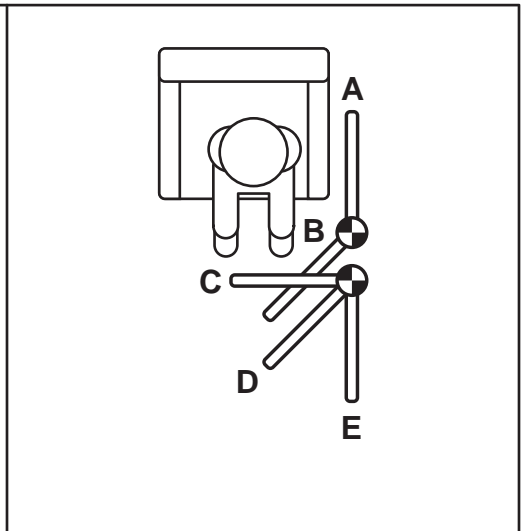
4

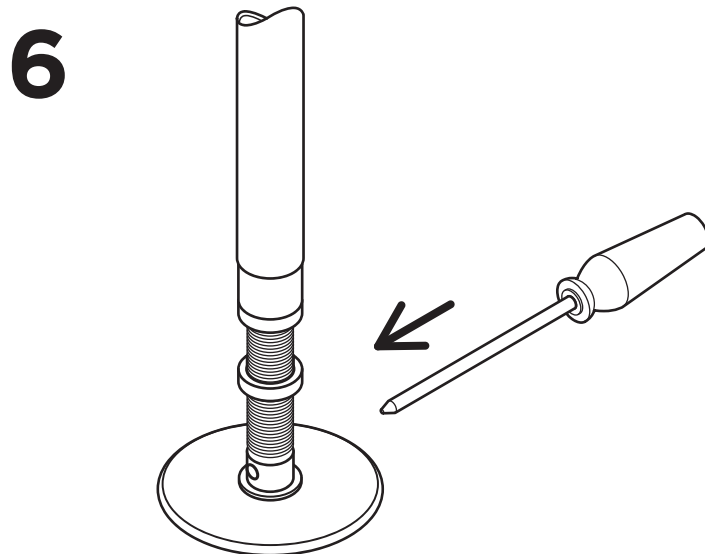
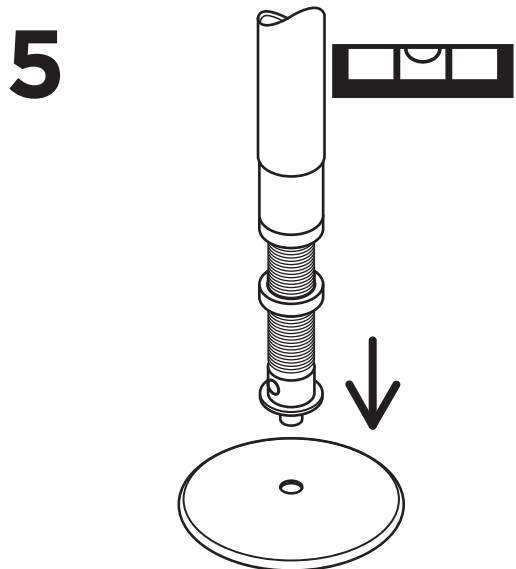
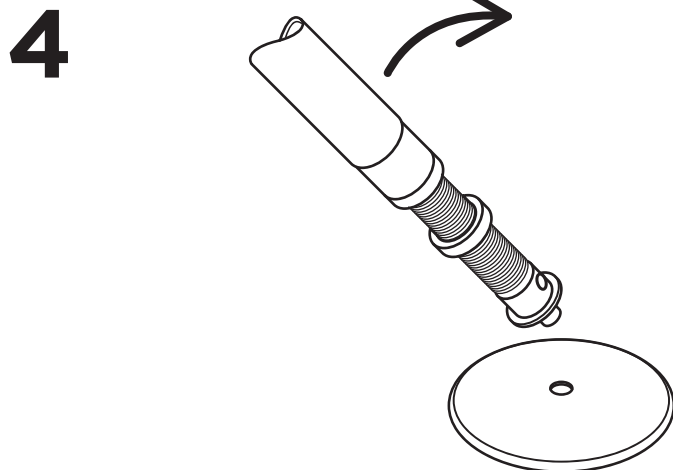
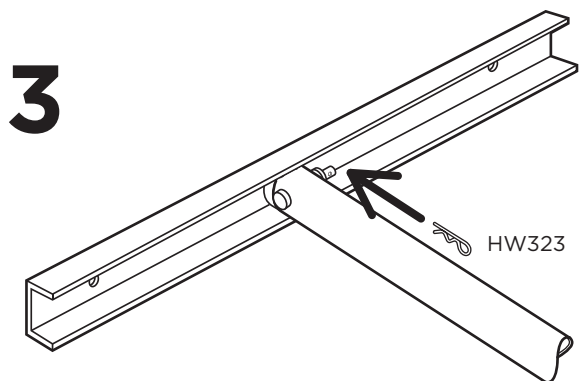
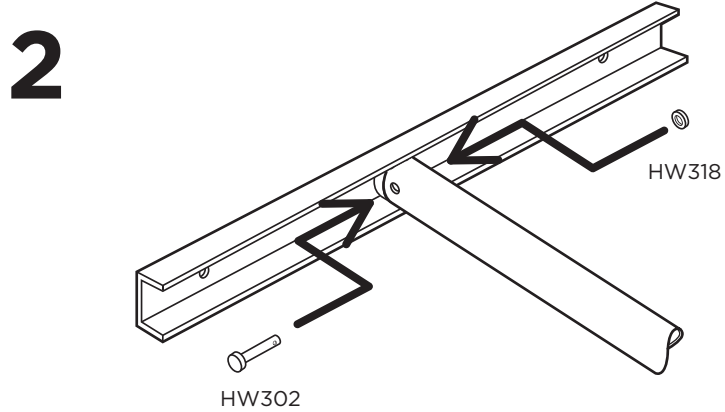
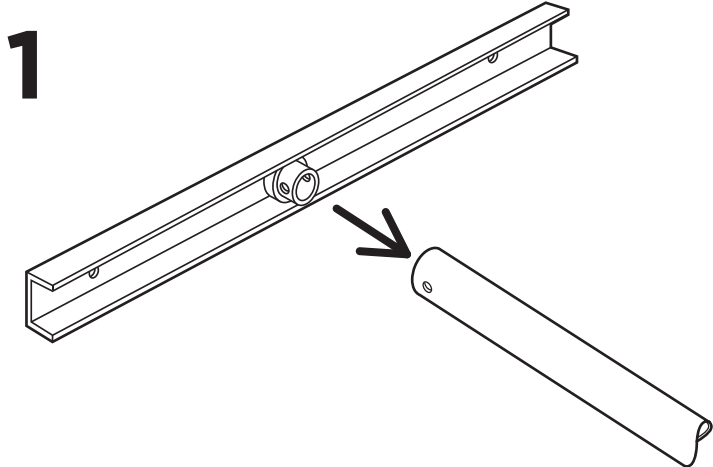


5

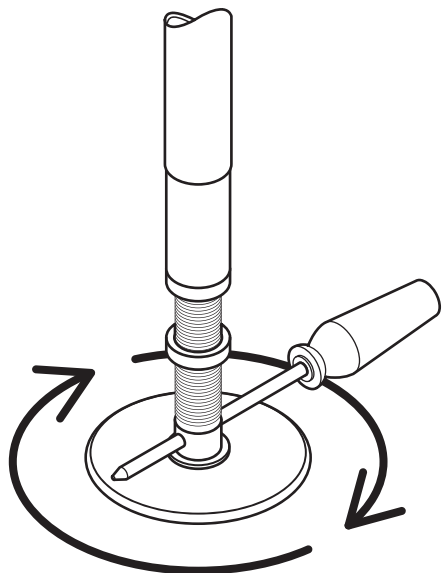


6

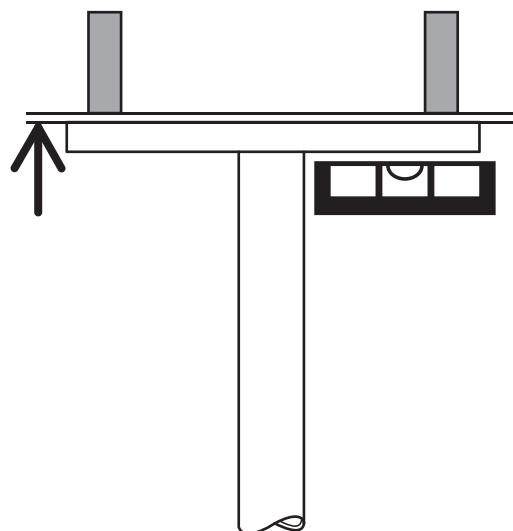




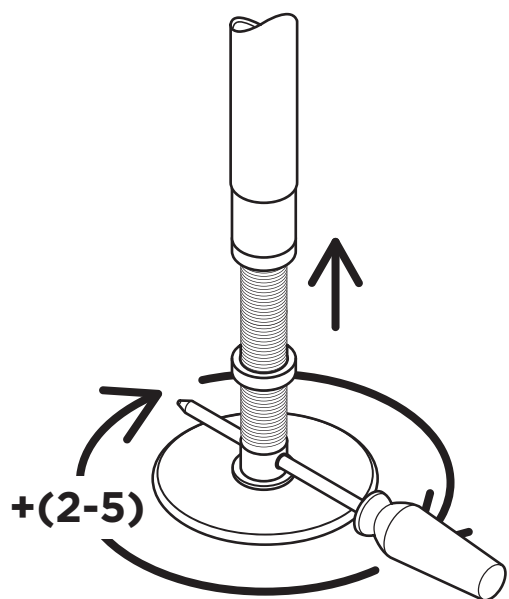
7



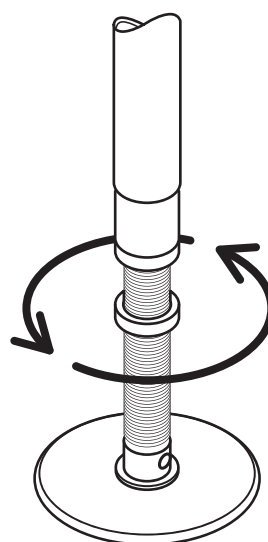
8



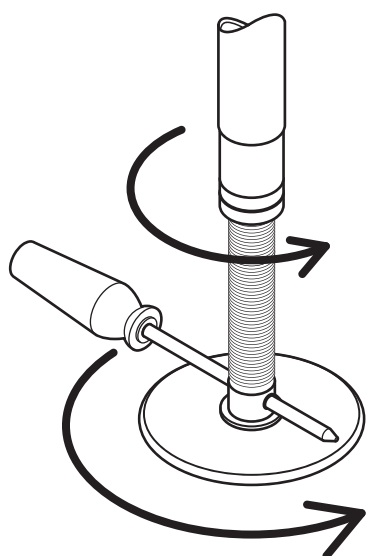
9



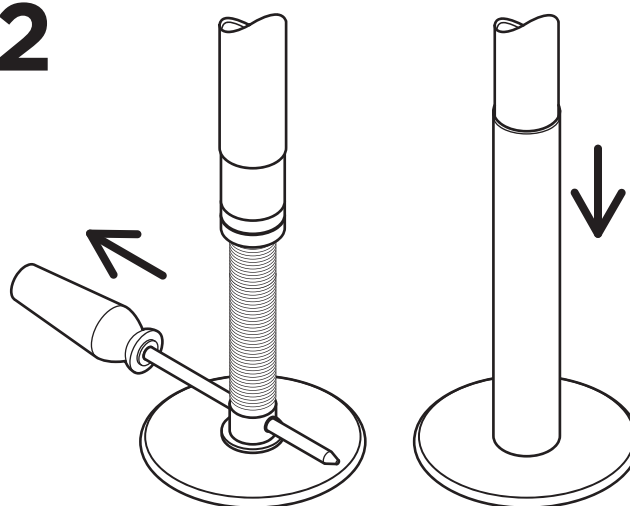
10

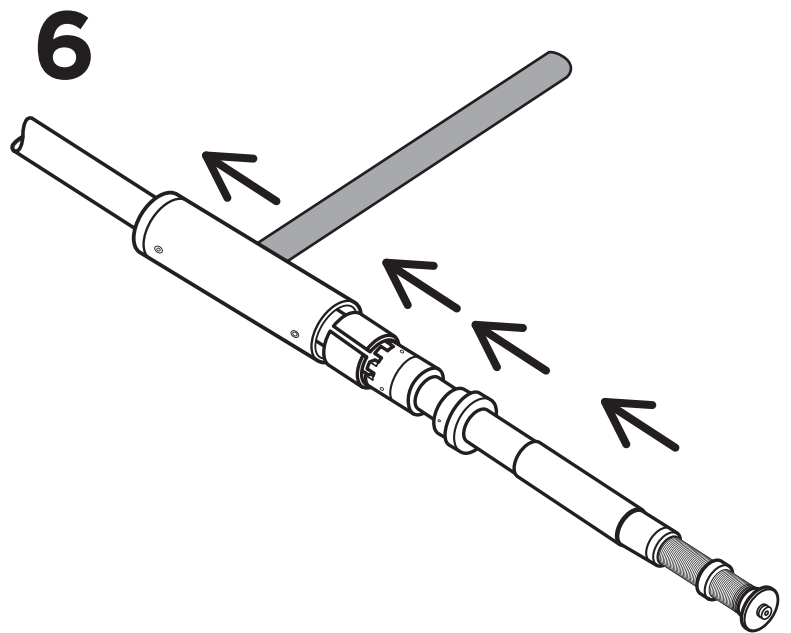
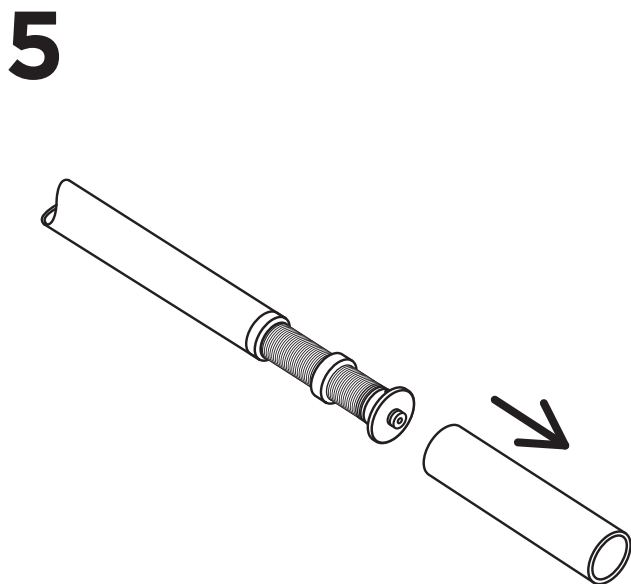
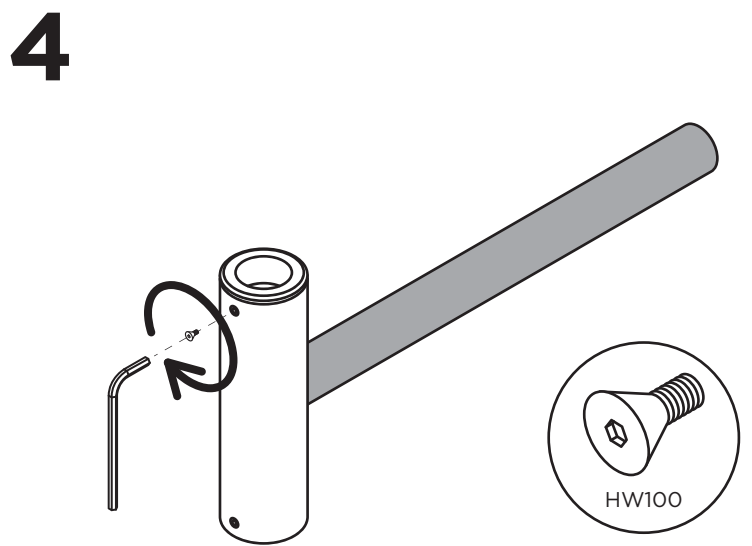
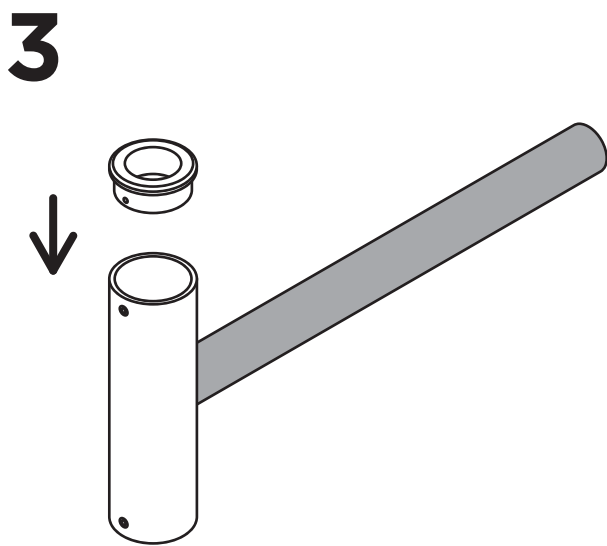
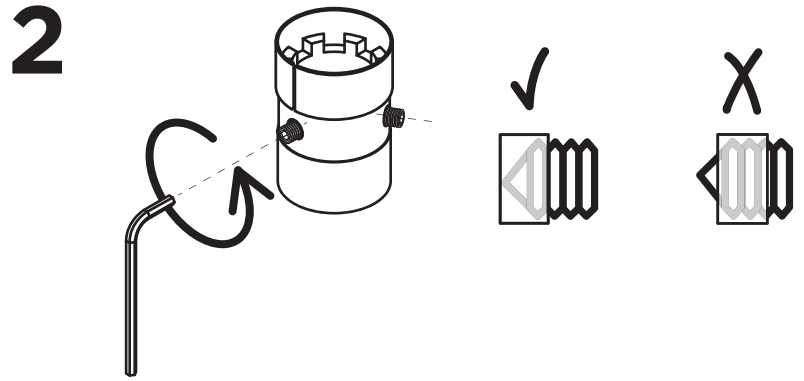
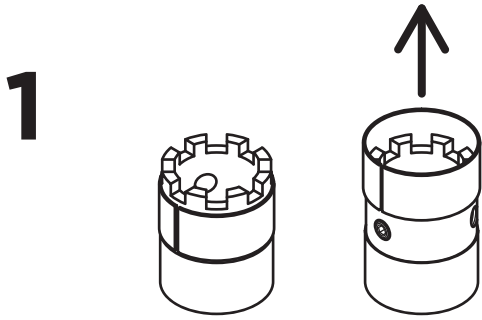


11



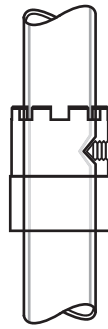
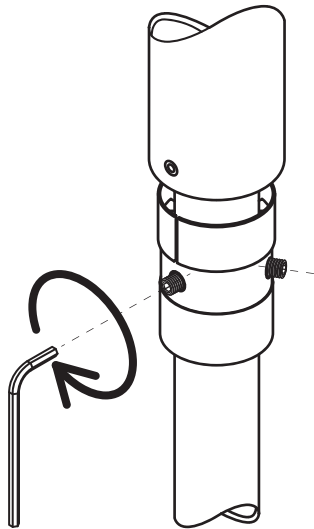
12



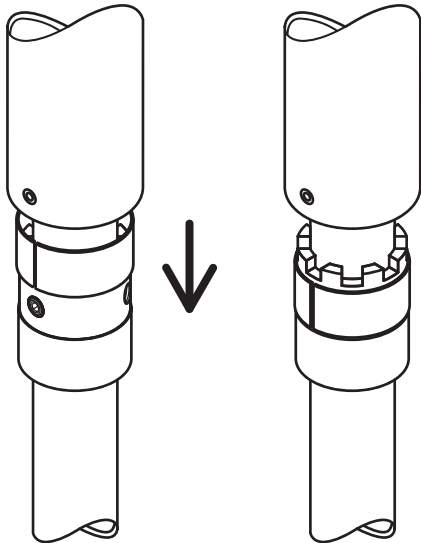




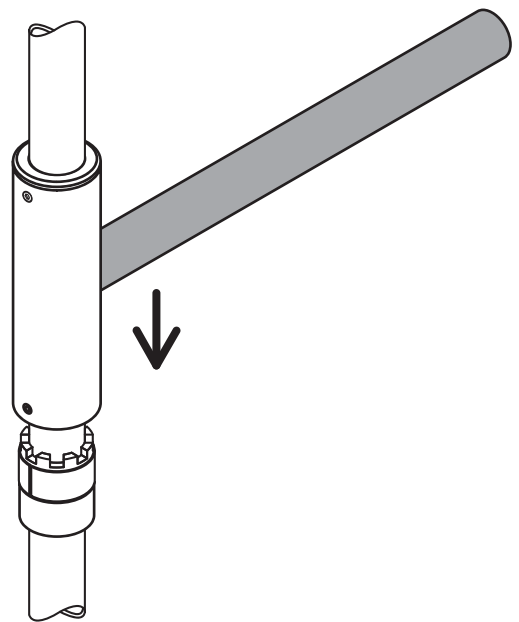
8



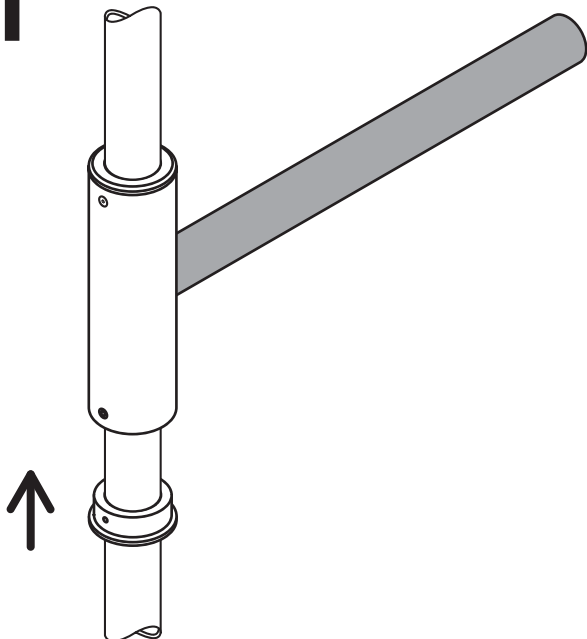
9



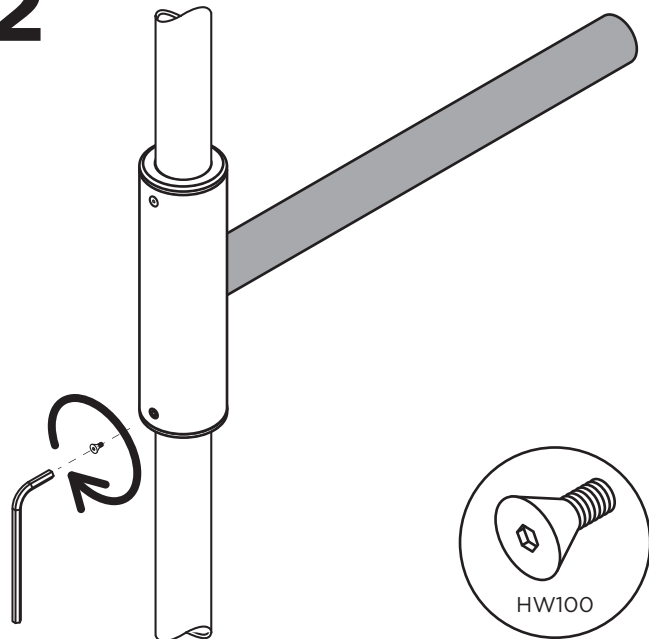
10



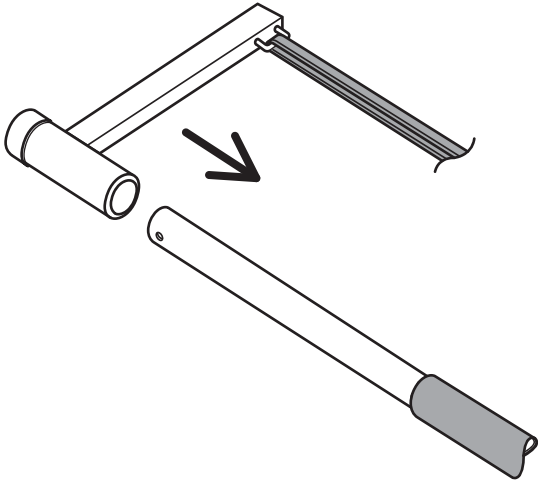
11



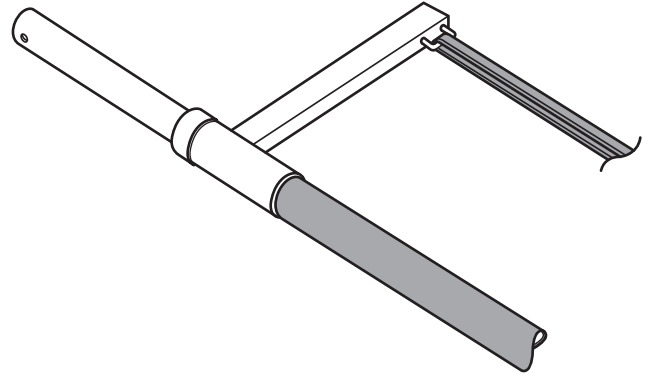
12



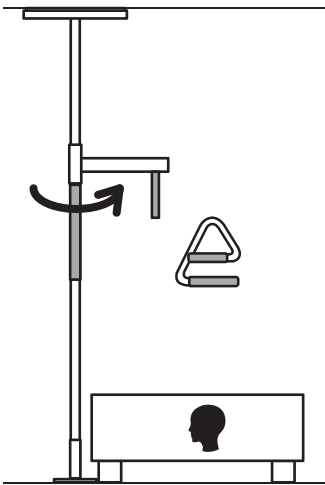
1



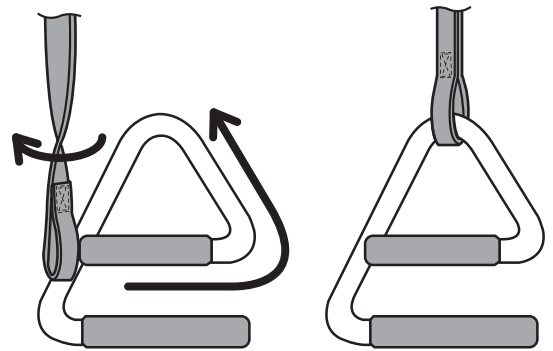
2



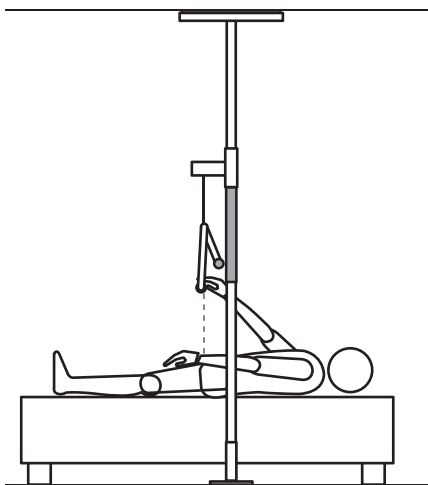
3+4



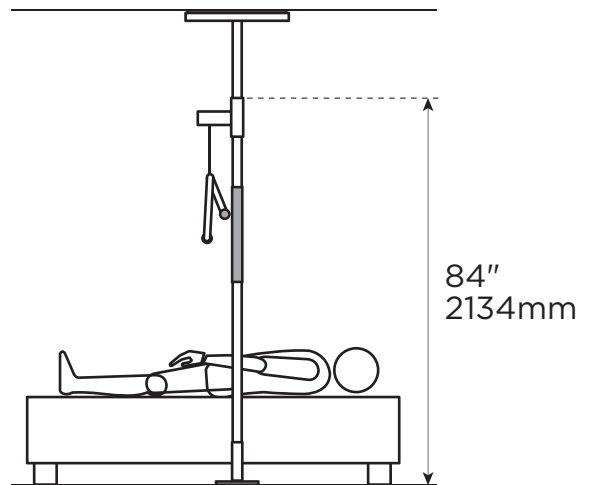
5

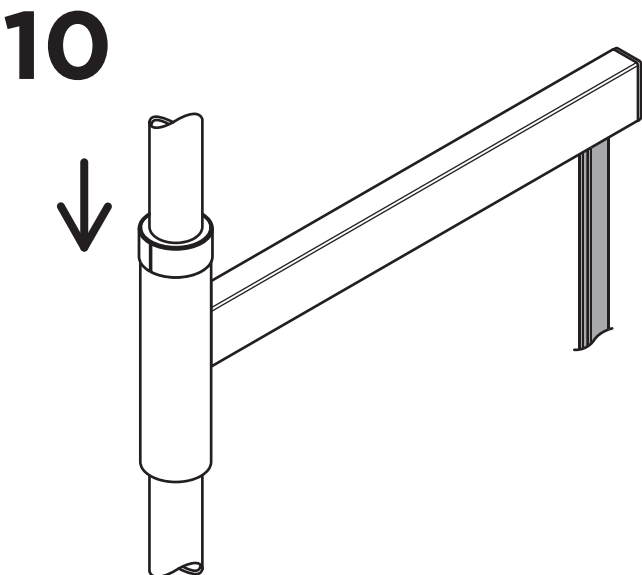
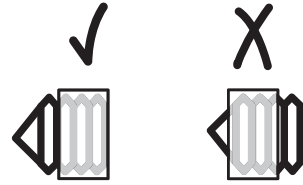
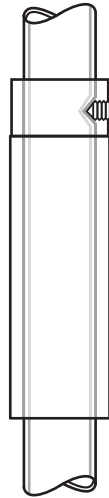
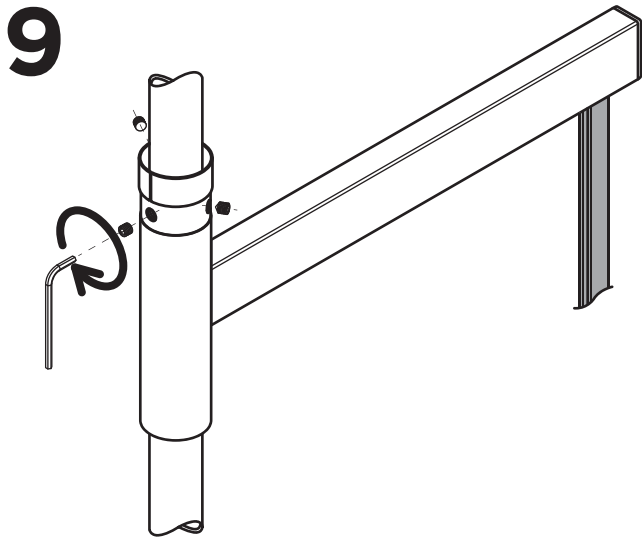
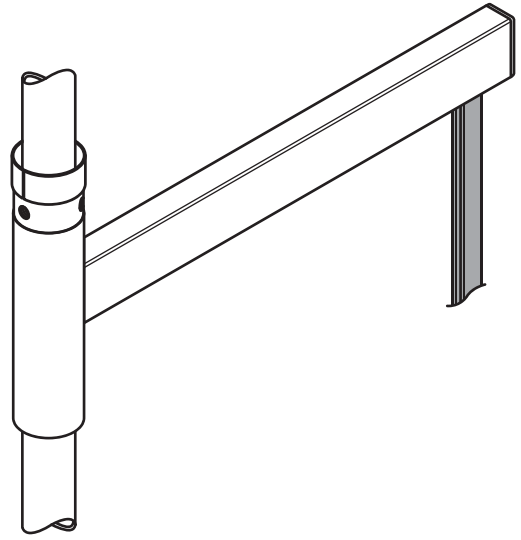
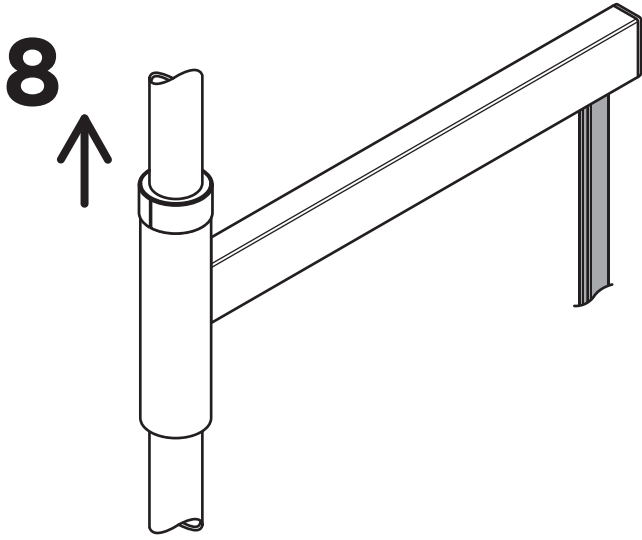


6

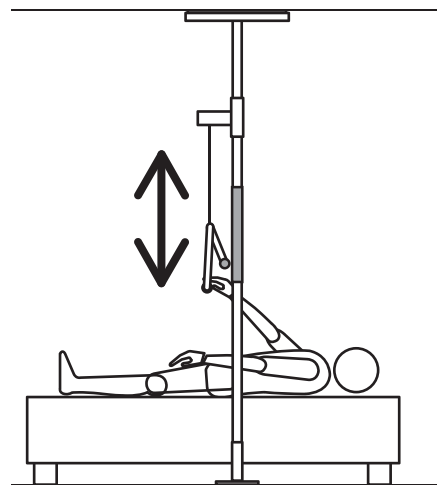


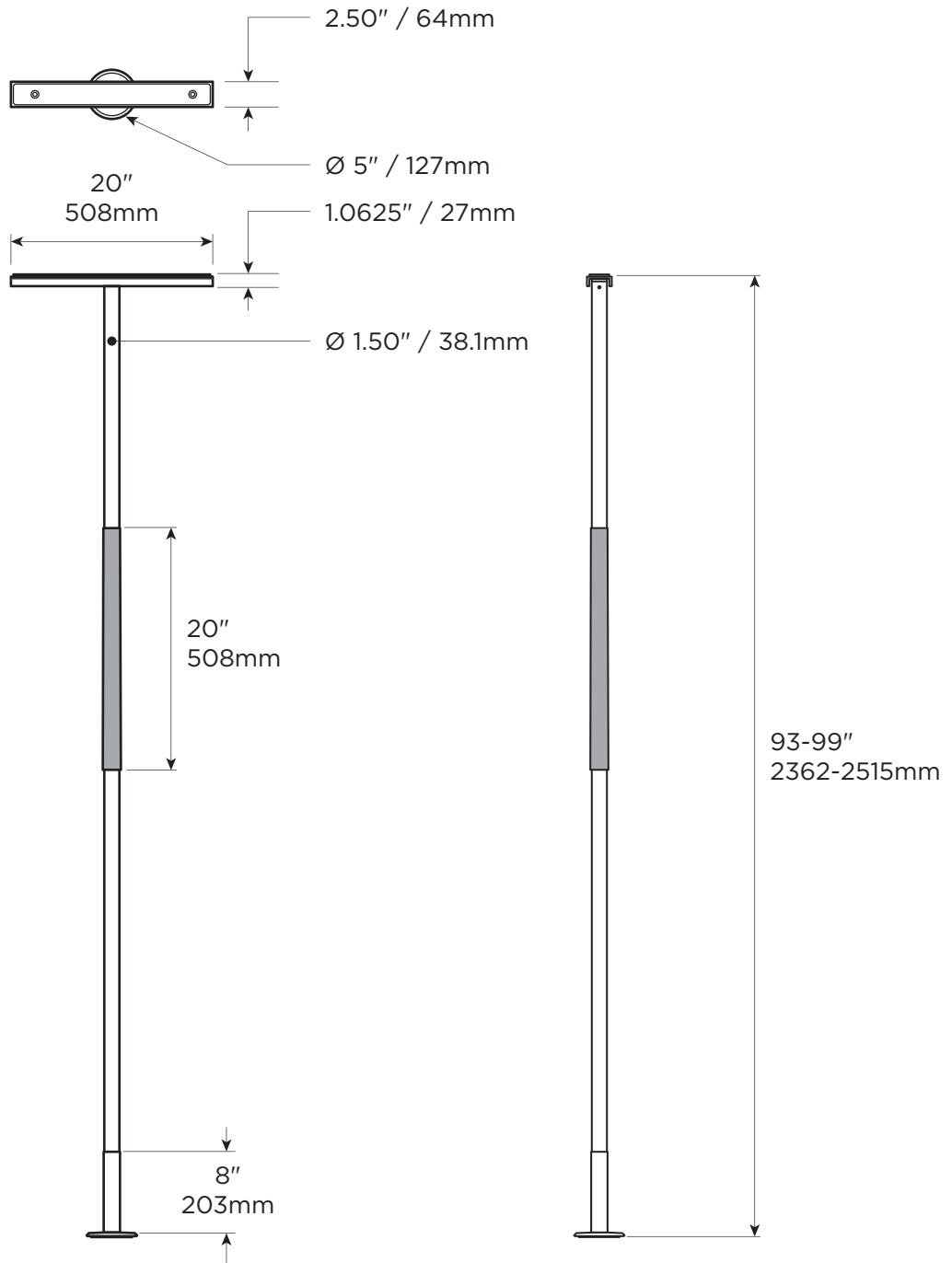
7





**11**





FE / PVC / UHMW

SP-P  
13lbs / 5.9kg



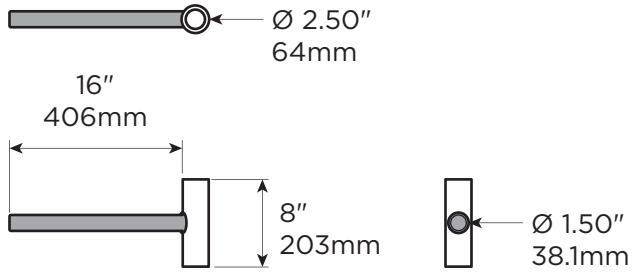
FE / NBR

SP403  
4lbs / 1.8kg



FE / NBR

SP402  
1lbs / 0.4kg



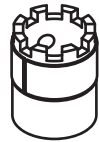
**FE / PVC**

**SP404**  
4.20lbs / 1.91kg



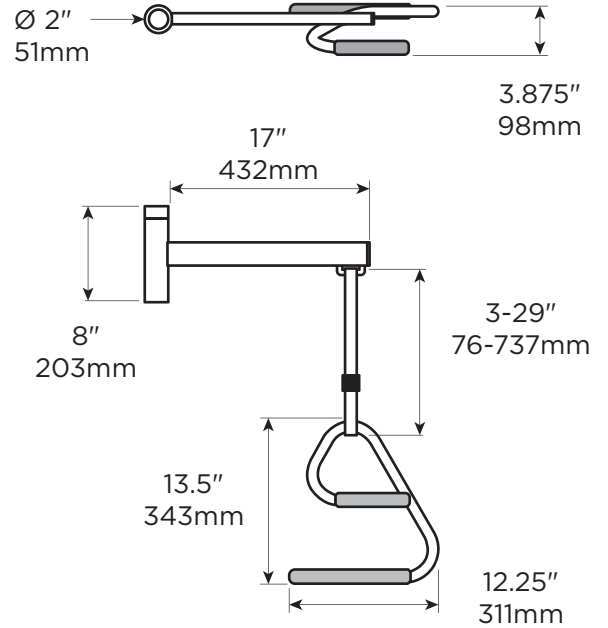
**POM**

**SP102**  
.05lbs / .02kg



**FE**

**SP411**  
.85lbs / .39kg



**FE / PA / LDPE**

**SP408**  
5.25lbs / 2.38kg

**FE / PVC**

**SP409**  
2.05lbs / .93kg

**J**

	MAX 		SUPERBAR 	SUPER-TRAPEZE 	ANGLED CEILING PLATE 	UNI-FIT EXTENDER 	CEILING PLATE EXTENDER 
SUPERPOLE (SP-S)	300lbs / 136kg	93-99" 2362-2515mm	✓	✓	✓	✓	✓
SUPERPOLE HEAVY DUTY (SP-HD)	450lbs / 205kg	93-99" 2362-2515mm	✓	✗	✗	✗	✓
UNI-FIT EXTENDER (SP-UF)	300lbs / 136kg	100-120" 2540-3048mm	✓	✗	✓		✓
SUPERPOLE ULTRA (SP-ULTRA)	300lbs / 136kg	121-140" 3073-3556mm	✗	✗	✗	✗	✓
SUPERPOLE CUSTOM (SP-CUSTOM)	300lbs / 136kg	< 93" 2362mm	✓	✓	✓	✗	✓
SUPERPOLE CEILING PLATE EXTENDER (SP-CPE)			✓	✓	✗	✓	-
SUPERPOLE ANGLED CEILING PLATE (SP-ACP)			✓	✗	-	✓	✗

## OVERVIEW

Thank you for choosing the SuperPole System from HealthCraft. Please read and understand the instructions in this manual; keep manual for future reference. It is your responsibility to see that your SuperPole System is properly assembled, installed, and cared for. Failure to follow instructions in this manual could result in serious injury or death. If you are not equipped to undertake the outlined work, we would recommend that you have your SuperPole System installed by a qualified contractor.

The SuperPole System is intended for moderate vertical load bearing to provide sitting and standing support for people with reduced mobility. The floor to ceiling range and maximum user weight dependent on model (see Page 13 for details and product / accessory compatibility chart). Product is not intended to support full body weight. The SuperPole System is not to be used in any other way than described above.

The SuperPole is a high quality, commercial grade floor to ceiling safety pole. The SuperPole must be installed between a structural floor and ceiling by turning a jackscrew at the bottom of the pole. The pressure created by the jackscrew is strong enough for the SuperPole to support the user, yet it does not require drilling holes into the floor or ceiling. This is ideal for relocating or removing the pole. NOTE: The top plate has two holes that may be used to fix the plate directly to the ceiling joist if necessary. See Page 4 for details.

The SuperBar is a high quality, commercial grade pivoting and locking horizontal bar that connects to the SuperPole (floor to ceiling safety pole). The horizontal bar can be lifted, pivoted and lowered to the next locking position around the SuperPole. In any of the 8 lowered position (every 45 degrees) the SuperBar can be used to support the user. It is important to set proper height and orientation of the SuperBar to optimize the user's range of motion.

The SuperTrapeze is a high quality, commercial grade over-bed trapeze that connects to the SuperPole (floor to ceiling safety pole). The SuperTrapeze handle features two offset ladder rungs to allow for improved use of arm strength and increased comfort. Additionally, it can hook around the pole to store out of the way when not in use. The support arm has an adjustable strap that attaches to the trapeze handle. It is important to set proper height and orientation of the SuperTrapeze to optimize the user's range of motion.

## WARNING - PATIENT ENTRAPMENT (see additional guidelines)

The potential risk of entrapment (limb, neck, head, torso) between the pole and adjacent item (i.e. bed, toilet, etc.) can be reduced or avoided by the following strategies:

1. Situate the pole at a distance that is considerably smaller or larger than that which could result in entrapment.
2. Consider situations that could change with time or usage such as mattress compression, patient movement, bed position changes due to electrically powered beds, etc.
3. Realize that this product is not intended as a physical constraint or barrier to exiting the bed.

## LIMITED LIFETIME WARRANTY

Products are covered by a limited lifetime warranty against defects in materials and workmanship for the original purchaser. Warranty excludes products that have been damaged through misuse, accidental damage, alteration, normal wear and tear, wood material and stain, or the use of corrosive or abrasive cleaning products.

Buyer hereby indemnifies, agrees to hold harmless and defend HealthCraft Products Inc. from and against any and all liabilities, claims, (founded and unfounded), losses, damages, costs and expenses (including without limitation consequential damages and reasonable professional fees) resulting from buyers specification, application, or improper use of goods described hereon; buyers omission or neglect. HealthCraft Products Inc. does not assume any liability for damage resulting from services performed by others or faulty installation, misuse or misapplication of goods sold by HealthCraft Products Inc. HealthCraft Products Inc. shall not be liable for prospective profits or special, indirect, or consequential damages, or for the cost of any corrective work done without HealthCraft Products Inc. prior approval. HealthCraft Products Inc. total liability hereunder shall in no event exceed the purchase price of the goods specified hereon. Specifications subject to change without notice.



## DELIVERY CONTENTS - SUPERPOLE

## FIGURE A.

### SP400 - POLE ASSEMBLY

1. Pole
2. Pole Grip, 20" length
3. Cover Sleeve (with warning label)
4. Threaded Collar
5. Jam Nut
6. Extension Screw
7. Plastic Washer

### SP403 - TOP PLATE ASSEMBLY

8. Top Plate Rubber
  9. Top Plate
  10. Nylon Washer
  11. Cotter Pin
  12. Clevis Pin
- ### SP402 - BASE PLATE ASSEMBLY
13. Base Plate
  14. Base Plate Rubber

## DELIVERY CONTENTS - SUPERBAR

## FIGURE B.

### SP404 - T-BAR ASSEMBLY

15. T-Bar Weldment
  16. Grip
- ### SP411 - COLLAR ASSEMBLY
17. Spring Ring (with warning label)
  18. 5/16-24 Set Screw (x3)
  19. Castellated Collar

### HARDWARE

20. #8-32 Set Screw (x2)
21. Pivot Bushing (x2)
22. 3/32" Hex Key
23. 5/32" Hex Key

# English

## DELIVERY CONTENTS - SUPERTRAPEZE FIGURE C.

SP408 - SUPPORT ARM	HARDWARE
24. Support Arm Weldment	18. 5/16-24 Set Screw (x4)
25. Rectangular Plug	23. 5/32" Hex Key
26. Plastic Buckle	
27. Safety Strap	
SP409 - TRAPEZE ASSEMBLY	
28. Trapeze Handle	
29. Top Grip, 6" length	
30. Bottom Grip, 10" length	

## INSTALLATION WARNINGS FIGURE D.

1. Use caution while maneuvering pole during installation.
2. Standard pole can be installed directly under 1 ceiling joist.
3. Standard pole can be installed directly under 2 ceiling joists.
4. Heavy Duty (HD) pole must be secured to ceiling joist (s).
5. If subject to heavy usage, pole must be secured to ceiling joist (s).
6. CAUTION - Damage may occur if extension screw is overtightened.
7. CAUTION - Do not install if the structure above ceiling is unknown.
8. CAUTION - Do not install on loose floor coverings.
9. CAUTION - Do not install in rooms with radiant ceiling heat.
10. CAUTION - Do not install on angled ceilings.

## SUPERPOLE PLACEMENT FIGURE E.

1. BEDROOM - Locate pole adjacent to waistline, and as close to bed as possible while allowing clearance for bed coverings.
2. BATHTUB ONLY - Locate pole base against tub, approximately half way along its length
3. SEATING (TOILET or CHAIR) - To provide clearance when standing, locate pole 3-10" / 76mm-254mm forward of the knees, and 2-6" / 51mm-154mm to the side of knees when sitting.

## SUGGESTED SUPERBAR POSITIONS FIGURE E.

4. BEDROOM	5. BATHROOM or 6. SITTING
A = side support / out of the way	A = side support / out of the way
B = in-bed support	B = standing or transfer support
C = sitting support	C = standing support
D = standing support	D = standing or transfer support
E = transfer support to walker / wheelchair	E = standing or transfer support
	F = transfer support in/out of bathtub

## SUPERPOLE INSTALLATION INSTRUCTIONS FIGURE F.

1. On a flat horizontal surface, place top plate onto pole.
2. Align holes and install clevis pin with washer on opposite side.
3. Install cotter pin into clevis pin.
4. Place base plate on floor at intended location, and tilt pole.
5. When upright, install the pole into the base plate hole.
6. Insert shaft of screwdriver thru drive hole of extension screw.
7. Hold pole and turn screwdriver clockwise to raise pole.
8. Top plate must contact ceiling squarely.
9. Continue turning extension screw approx 2-5 turns until pole is secure.
10. Turn jam nut until it is tight against bottom of pole.
11. Turn both jam nut and extension screw together to jam tight.
12. Remove screwdriver and lower cover sleeve to conceal screw.

## SUPERBAR INSTALLATION INSTRUCTIONS FIGURE G.

1. Slide spring ring upwards on castellated collar to expose 3 set screws.
2. Back off 3 cone point set screws with hex key so castellated collar can slide onto pole without set screws contacting pole.
3. Install pivot bushing into T-bar assembly.
4. Align hole and install screw with hex key.
5. Remove cover sleeve from bottom of pole.
6. Slide items onto bottom of pole (note order and orientation): T-Bar assembly with installed pivot bushing top/first, spring ring with castellated collar, pivot bushing and cover sleeve.
7. Install SuperPole as per instructions Page 6-7.
8. Install castellated collar to pole by tightening 3 set screws with hex key. The set screws MUST be tightened until the back of the screw is flush with the collar or injury may result.
9. Slide spring ring downwards on the castellated collar to retain set screws.
10. Lower T-bar assembly onto castellated collar.
11. Install bottom pivot bushing into T-bar assembly.
12. Align hole and install screw with hex key.

## SUPERTRAPEZE INSTALLATION INSTRUCTIONS FIGURE H.

1. Slide support arm onto top of pole with strap hook facing towards grip. Rest support arm on top of grip.
2. Install SuperPole as per instructions Page 6-7.
3. Rotate support arm over bed.
4. Hold the trapeze handle under the support arm, such that the shorter rail of the handle is closest to the head of the bed.
5. Rotate the strap 180° and slide onto the shorter rail of the trapeze handle until it reaches the top bend of the trapeze.
6. Position support arm such that the trapeze handle hangs directly over the user's hands (on thighs) when they lay on the bed.
7. Raise support arm approx 84"/2134mm from floor to top of support arm.
8. Slide spring ring upwards on support arm to expose threaded holes.
9. Install support arm to pole by tightening 3 set screws with hex key. The set screws MUST be tightened until the back of the screw is flush with the collar or injury may result.
10. Slide spring ring downwards on the castellated collar to retain set screws.
11. Adjust length of strap such that the user can comfortably grasp the bottom rail of the trapeze handle when laying down.

## TECHNICAL DATA

See Figure I.

## PRODUCT COMPATIBILITY CHART

See Figure J.

## PRODUCT USAGE

See Figure K.