

CRAFTMADE

CUBIC#41561-ABZ & CH & FSNW
41502-ABZ & CH & FSNW

PLEASE READ AND SAVE FOR FUTURE REFERENCE.

CAUTION

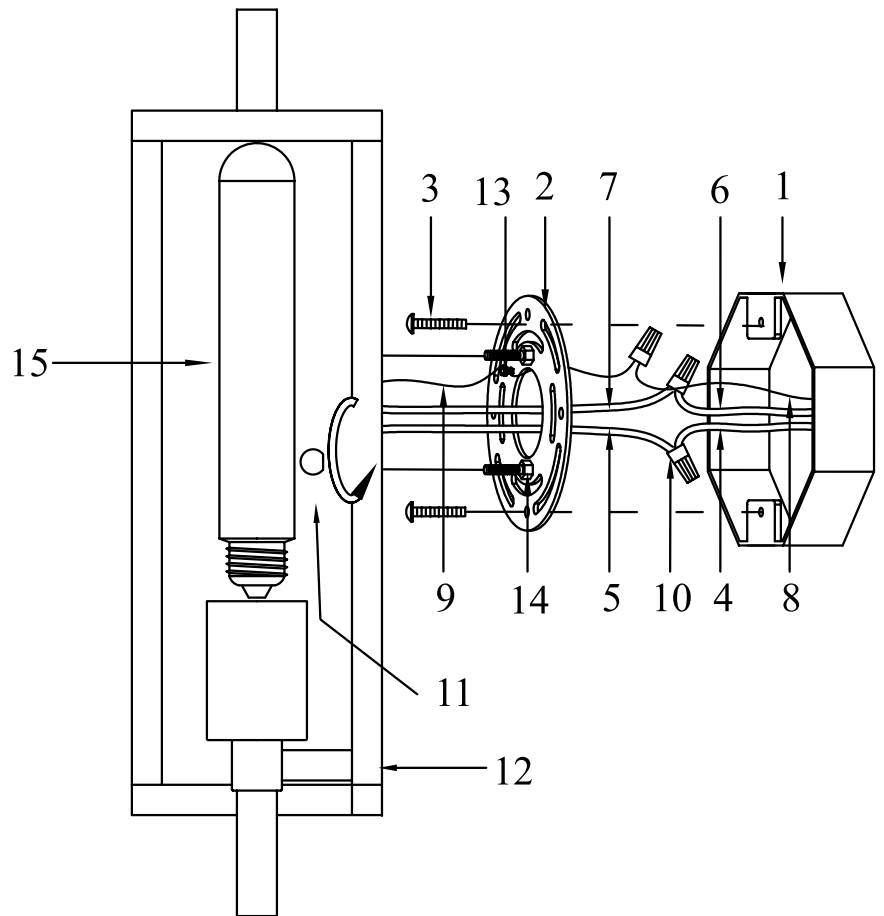
1. Turn off the main power at the circuit breaker before installing the fixture in order to prevent possible shock.
2. All electrical connections must be in accordance with local and National Electrical Code (N.E.C.) standards. If you are unfamiliar with proper electrical wiring connections, obtain the services of a qualified electrician.

GENERAL

Remove all parts and hardware from the box and make sure that none are missing by referencing the illustrations provided.

Bulb Required (included): 1 Medium Base 60 Watt Max. (T TYPE BULB) FOR 41561

2 Medium Base 60 Watt Max. (T TYPE BULB) FOR 41502



1/2-LIGHT WALL SCONCE

1. OUTLET BOX (*NOT INCLUDED*)
2. MOUNTING PLATE
3. OUTLET BOX SCREW and WASHER
(pre-attached to outlet box)
4. BLACK SUPPLY WIRE (not included)
5. SMOOTH (OR BLACK) FIXTURE LEAD WIRE
6. WHITE SUPPLY WIRE (not included)
7. RIBBED (OR WHITE) FIXTURE LEAD WIRE
8. SUPPLY GROUND WIRE (not included)
9. FIXTURE GROUND WIRE
10. WIRE CONNECTOR
11. DECORATIVE NUT
12. FIXTURE
13. GROUND SCREW (pre-attached)
14. FIXTURE SCREW and HEX NUT
(pre-attached)
15. T TYPE BULB