

CRAFTMADE™

ASSEMBLY & INSTALLATION INSTRUCTIONS FOR #54960

Please read carefully and save these instructions, as you may need them at a later date.

CAUTION

Turn off the main power at the circuit breaker before installing the fixture, in order to prevent possible shock.

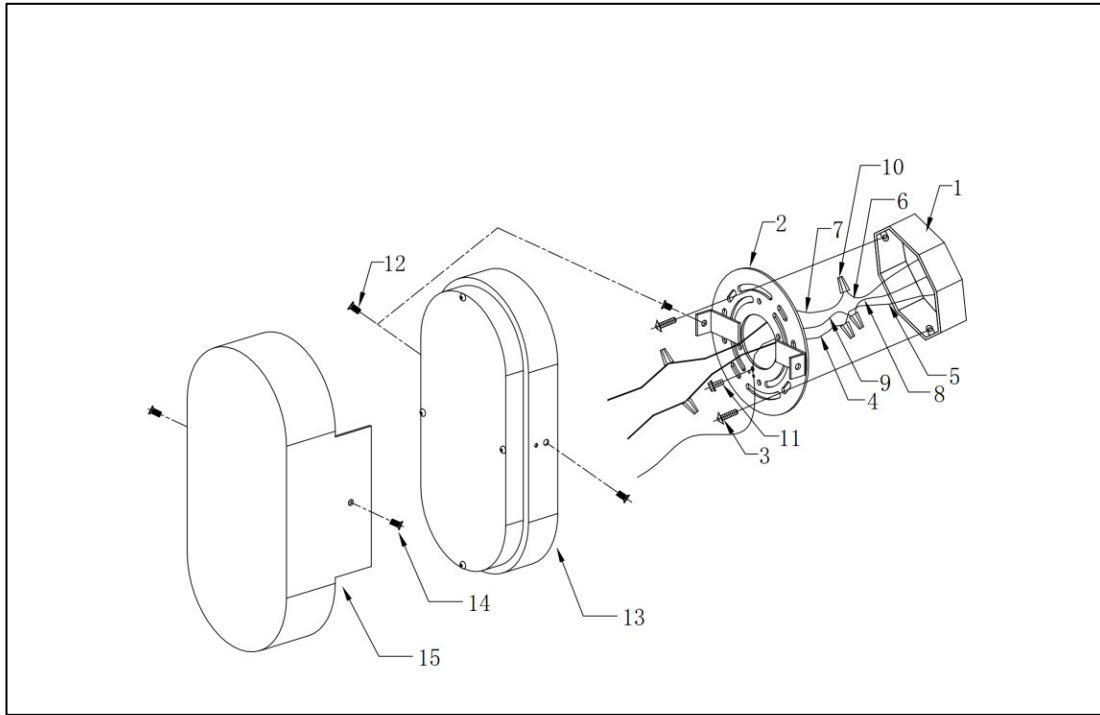
GENERAL

All electrical connections must be in accordance with local and National Electrical Code (N.E.C.) standards. If you are unfamiliar with proper electrical wiring connections obtain the services of a qualified electrician.

Remove the fixture and the mounting package from the box and make sure that no parts are missing by referencing the illustrations on the installation instructions.

ASSEMBLY AND INSTALLATION

1. At the center of the BACK PLATE (2) there are eight perforated slots. Knock out the set matches your OUTLET BOX (1).
2. Screw the STRAP MOUNTING SCREWS (3) into the BACK PLATE (2).
3. Carefully pass the power supply (6&8) wires and the SUPPLY GROUND WIRE (5) through the center hole of the BACK PLATE (2). Secure the BACK PLATE (2) to the OUTLET BOX (1) with STRAP MOUNTING SCREWS (3).
4. Attach the BLACK SUPPLY WIRE (8) to the SMOOTH (or BLACK) FIXTURE LEAD WIRE (9) by using the WIRE CONNECTOR (10). At the same manner, attach the WHITE SUPPLY WIRE (6) to the RIBBED (or WHITE) FIXTURE LEAD WIRE (7). Loop the FIXTURE GROUND WIRE (4) around the GROUND SCREW (11) of the BACK PLATE (2). (Note: Be sure to provide an extra 3" length of the FIXTURE GROUND WIRE (4) for connection to the SUPPLY GROUND WIRE (5).) Tighten the GROUND SCREW (11). Connect the remaining FIXTURE GROUND WIRE (4) to the SUPPLY GROUND WIRE (5) using a WIRE CONNECTOR (10). Place wiring and connections inside the OUTLET BOX (1).
5. Align the holes on both sides of the FIXTURE BODY (13) with the holes on the BACK PLATE (2) and tighten them with MOUNTING SCREW (12).
6. Align the holes on both sides of the STEEL SHADE (15) with the holes on the FIXTURE BODY (13) and tighten them with MOUNTING SCREW (14).



1. OUTLET BOX
2. BACK PLATE
3. STRAP MOUNTING SCREW
4. FIXTURE GROUND WIRE
5. SUPPLY GROUND WIRE(not included)
6. WHITE SUPPLY WIRE(not included)
7. RIBBED (OR WHITE) FIXTURE LEAD WIRE
8. BLACK SUPPLY WIRE(not included)
9. SMOOTH(OR BLACK) FIXTURE LEAD WIRE
10. WIRE CONNECTOR
11. GROUND SCREW
12. MOUNTING SCREW
13. FIXTURE BODY
14. MOUNTING SCREW
15. STEEL SHADE