

CRAFTMADE™

Hagen # 51361-PLN / #51362-PLN / #51303-PLN
51361-VB / #51362-VB / #51303-VB

PLEASE READ AND SAVE FOR FUTURE REFERENCE

CAUTION

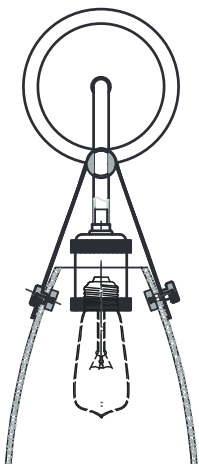
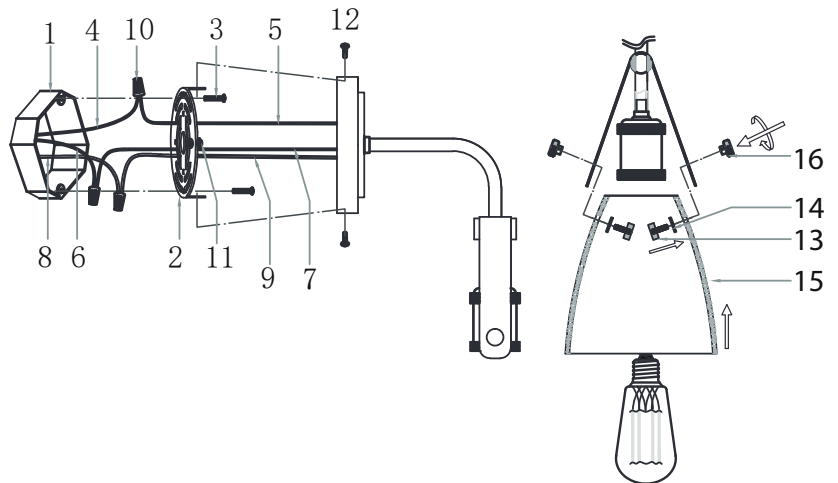
1. Turn off the main power at the circuit breaker before installing the fixture in order to prevent possible shock.
2. All electrical connections must be in accordance with local and National Electrical Code (N.E.C.) standards. If you are unfamiliar with proper electrical wiring connections obtain the services of a qualified electrician.

GENERAL

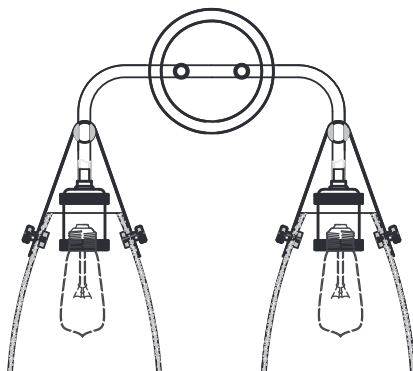
Remove all parts and hardware from the box and make sure that none are missing by referencing the illustrations provided.

Bulbs Required (LEDs Included, No Bulbs To replace)

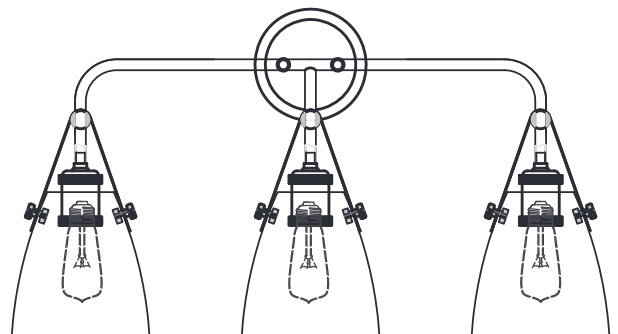
- 1) Outlet Box (not included)
- 2) Mounting Plate
- 3) Outlet Box Screws and Washers (pre-attached to outlet box)
- 4) Black Supply Wire (not included)
- 5) Smooth (or Black) Fixture Lead Wire
- 6) White Supply Wire (not included)
- 7) Ribbed (or White) Fixture Lead Wire
- 8) Supply Ground Wire (not included)
- 9) Fixture Ground Wire
- 10) Wire Connectors
- 11) Ground Screw (pre-attached)
- 12) Wall Box Screws
- 13) Screw
- 14) Washer
- 15) Glass/Shade
- 16) Screw



51361



51362



51303