

# CRAFTMADE™

Dardyn# 49802&49803&49804 -ESP  
49802&49803&49804 -BNK

**PLEASE READ AND SAVE FOR FUTURE REFERENCE.**

## CAUTION

1. Turn off the main power at the circuit breaker before installing the fixture in order to prevent possible shock.
2. All electrical connections must be in accordance with local and National Electrical Code (N.E.C.) standards. If you are unfamiliar with proper electrical wiring connections, obtain the services of a qualified electrician.

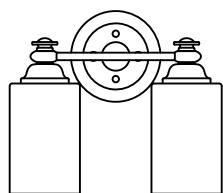
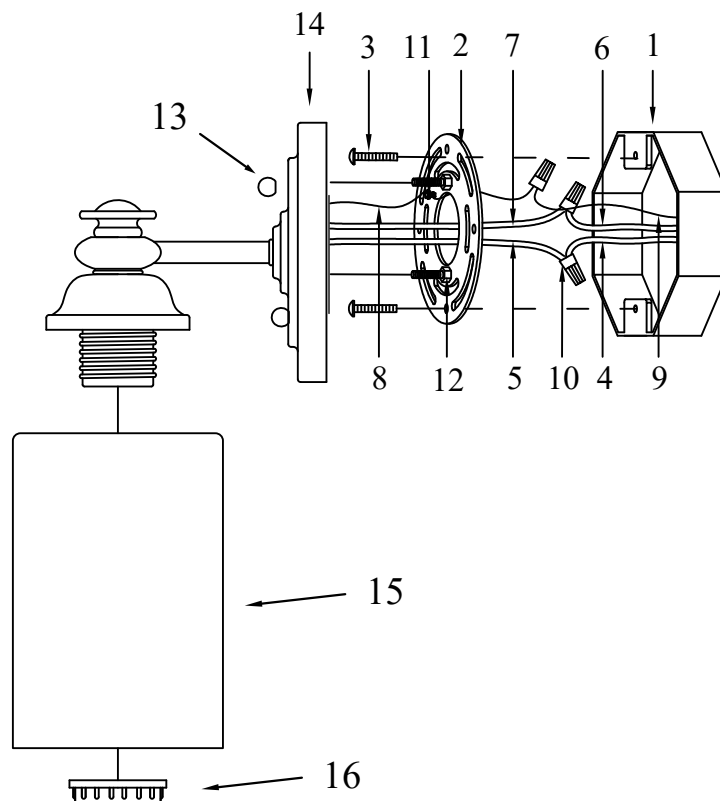
## GENERAL

Remove all parts and hardware from the box and make sure that none are missing by referencing the illustrations provided.

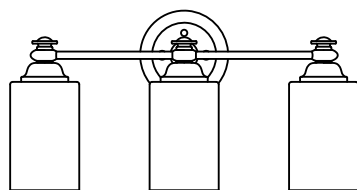
**Bulb Required (not included):** 2 Medium Base 100 Watt Max. ( for item 49802 )  
3 Medium Base 100 Watt Max. ( for item 49803 )  
4 Medium Base 100 Watt Max. ( for item 49804 )

## 2/3/4-LIGHT VANITY

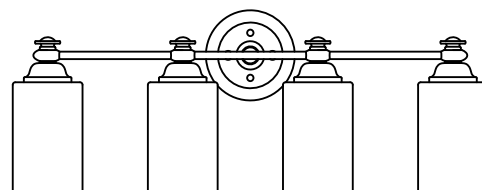
1. OUTLET BOX (**NOT INCLUDED**)
2. MOUNTING PLATE
3. OUTLET BOX SCREW and WASHER  
(pre-attached to outlet box)
4. BLACK SUPPLY WIRE (not included)
5. SMOOTH (OR BLACK) FIXTURE LEAD WIRE
6. WHITE SUPPLY WIRE (not included)
7. RIBBED (OR WHITE) FIXTURE LEAD WIRE
8. FIXTURE GROUND WIRE
9. SUPPLY GROUND WIRE (not included)
10. WIRE CONNECTOR
11. GROUND SCREW (pre-attached)
12. FIXTURE SCREW and HEX NUT  
(pre-attached)
13. DECORATIVE NUT
14. FIXTURE
15. GLASS SHADE
16. SOCKET RING



item 49802



item 49803



item 49804