

# CRAFTMADE™

BRIDGESTONE #53061 #53003 #53004 #53005

**PLEASE READ AND SAVE FOR FUTURE REFERENCE.**

## CAUTION

1. Turn off the main power at the circuit breaker before installing the fixture in order to prevent possible shock.
2. All electrical connections must be in accordance with local and National Electrical Code (N.E.C.) standards. If you are unfamiliar with proper electrical wiring connections, obtain the services of a qualified electrician.

## GENERAL

Remove all parts and hardware from the box and make sure that none are missing by referencing the illustrations provided.

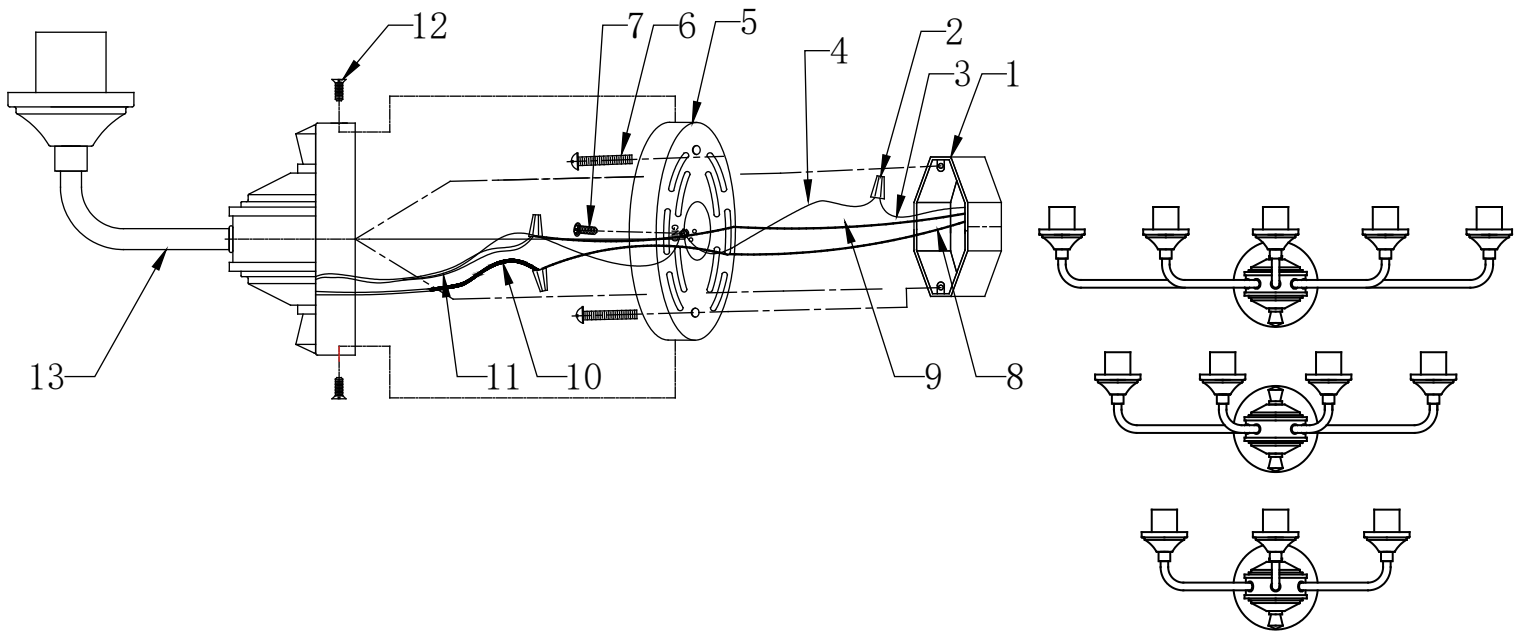
- Bulb Required (not included):**
- 1 -Medium Base 100 Watt Max.(for 1-Light Wall sconce)
  - 3 -Medium Base 60 Watt Max.(for 3-Light Vanity)
  - 4 -Medium Base 60 Watt Max.(for 4-Light Vanity)
  - 5 -Medium Base 60 Watt Max.(for 5-Light Vanity)

### 1-LIGHT WALL SCONCE

### 3-LIGHT VANITY

### 4-LIGHT VANITY

### 5-LIGHT VANITY



1. OUTLET BOX (NOT INCLUDED)

2. WIRE CONNECTORS

3. SUPPLY GROUND WIRE(not included)

4. FIXTURE GROUND WIRE

5. MOUNTING PLATE

6. OUTLET BOX SCREWS and WASHERS  
(pre-attached to outlet box)

7. GROUND SCREW

8. WHITE SUPPLY WIRE(not included)

9. BLACK SUPPLY WIRE(not included)

10. RIBBED(or WHITE)FIXTURE LEAD WIRE

11. SMOOTH(or BLACK)FIXTURE LEAD WIRE

12. FIXTURE SCREW.

13. FIXTURE