

MONACO COLLECTION





- Matte White
- Matching Medicine Cabinet
- Matching Wooden Legs

1



- Metal Grey
- Stainless Steel Legs
- White Quartz Countertop with Backsplash

2



3

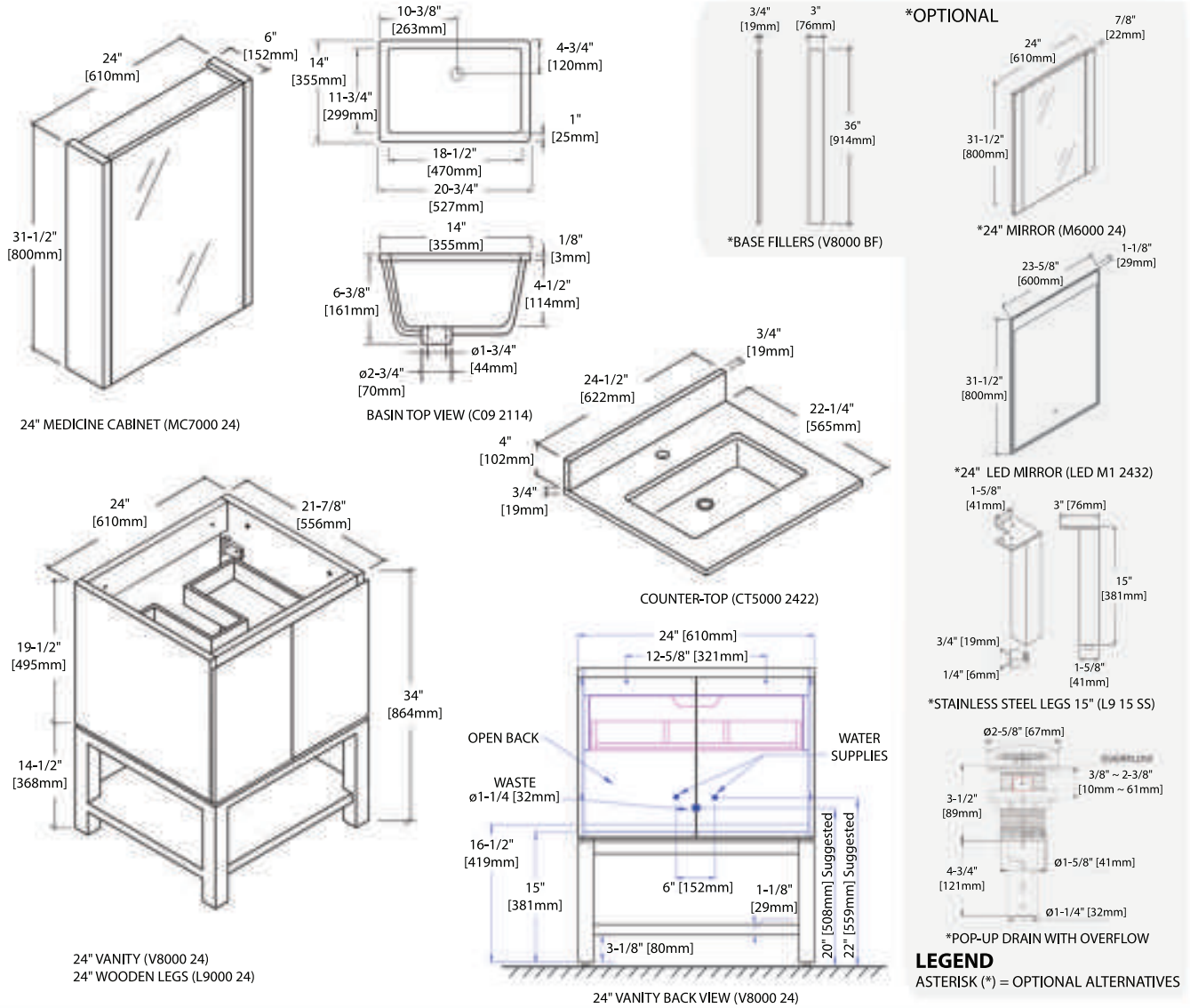


- Metal Grey
- Spacious Storage Space
- Soft-Closing Door & Drawer

4

MONACO 24" SPECIFICATIONS

000 Series



FEATURES

- Solid Wood
- Soft-Closing Door & Drawer
- White Quartz Counter-Top / Backsplash
- Ceramic Under-mount Basin
- Compatible Medicine Cabinet, Mirror or LED Mirror
- Wooden Legs or Stainless Steel Legs
- Wall Hung Compatible
- Available Solid Wood Linen Cabinet



AVAILABLE COLORS



24" VANITY

MODEL #	Color	MSRP
V8000 24 01	Matte White	\$560.00
V8000 24 02	Espresso	\$560.00
V8000 24 15	Metal Grey	\$560.00

24" MEDICINE CABINET

MODEL #	Color	MSRP
MC7000 24 01	Matte White	\$380.00
MC7000 24 02	Espresso	\$380.00
MC7000 24 15	Metal Grey	\$380.00

24" MIRROR

MODEL #	Color	MSRP
*M6000 24 01	Matte White	\$175.00
*M6000 24 02	Espresso	\$175.00
*M6000 24 15	Metal Grey	\$175.00

24" LED MIRROR

MODEL #	Color	MSRP
*LED M1 2432	Glass	\$320.00

24" COUNTERTOP (24-1/2" X 22-1/4")

MODEL #	Color	MSRP
CT5000 2422 02	White Quartz	\$370.00
CT5015 2422 03	White Carrara Marble	\$345.00
CT5015 2422 04	Mocha Woodland Quartz	\$315.00

BASIN

MODEL #	Color	MSRP
C09 2114	White	\$160.00

24" WOODEN LEGS

MODEL #	Color	MSRP
L9000 24 01	Matte White	\$280.00
L9000 24 02	Espresso	\$280.00
L9000 24 15	Metal Grey	\$280.00

STAINLESS STEEL LEGS (For a pair of legs)

MODEL #	Color	MSRP
*L9 15 SS (15" Height)	Chrome	\$60.00

FAUCET (Faucet is shown in photos)

MODEL #	Color	MSRP
*F01 301 01	Chrome	\$190.00
*F01 301 02	Brush Nickel	\$210.00
*F01 302 01	Chrome	\$170.00
*F01 302 02	Brush Nickel	\$200.00
*F01 303 01	Chrome	\$175.00
*F01 303 02	Brush Nickel	\$215.00
*F01 304 01	Chrome	\$220.00
*F01 304 02	Brush Nickel	\$240.00

BASE FILLERS

MODEL #	Color	MSRP
*V8000 BF 01	Matte White	\$50.00
*V8000 BF 02	Espresso	\$50.00
*V8000 BF 15	Metal Grey	\$50.00

ACCESSORIES

MODEL #	Description/Color	MSRP
*BA02 001 01	Pop-Up Drain with Overflow Chrome	\$40.00
*BA02 001 02	Pop-Up Drain with Overflow Brush Nickel	\$45.00
*BA02 003 01	Round Bottle Trap / Chrome	\$50.00
*BA02 003 02	Round Bottle Trap / Brush Nickel	\$60.00
*BA02 004 01	P-Trap / Chrome	\$20.00



- Metal Grey
- Matching Medicine Cabinet
- Matching Wooden Legs



- Matte White
- Wall Hung



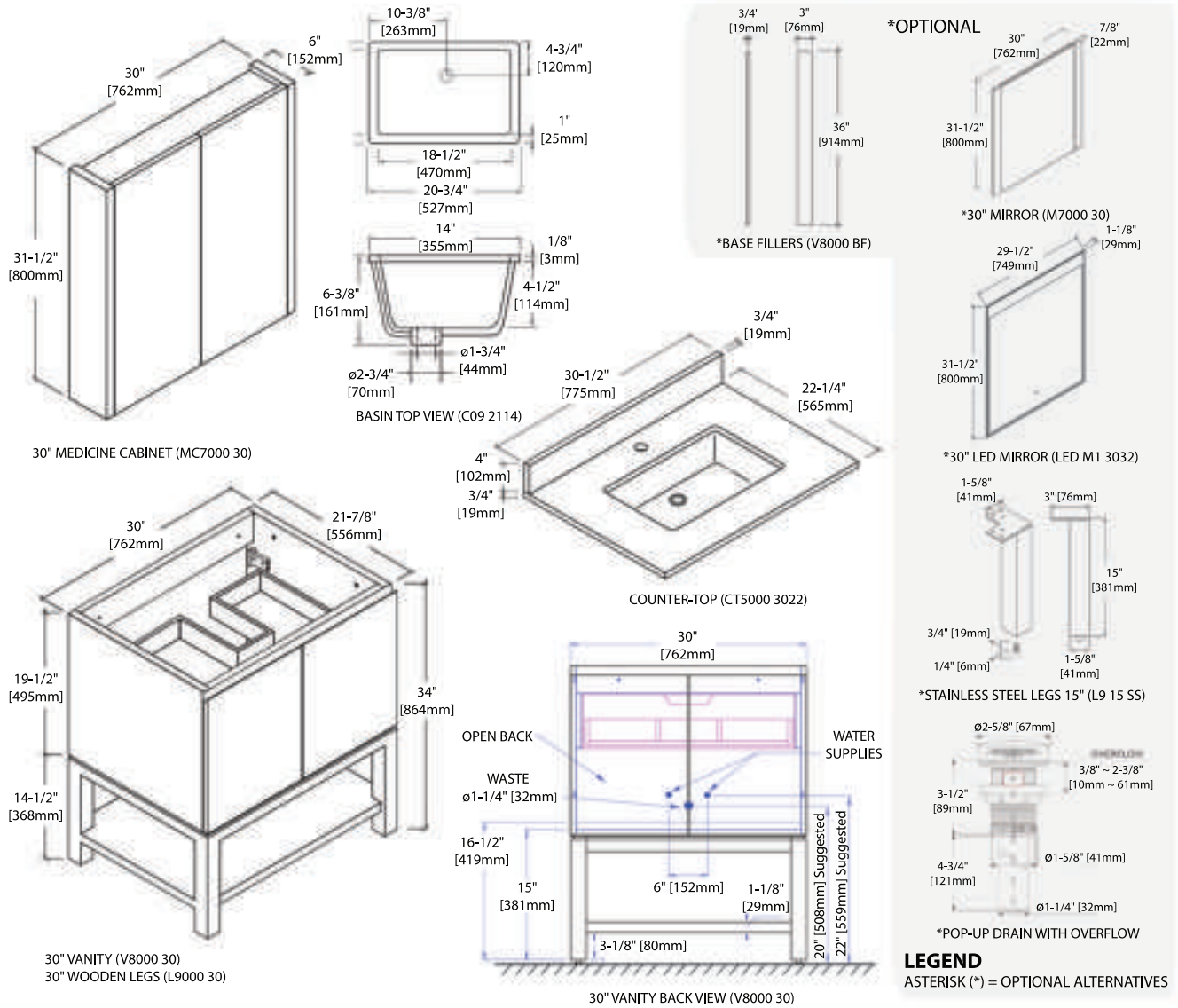
- Espresso
- White Quartz Countertop with Backsplash



- Metal Grey
- Soft-Closing Door & Drawer
- Stainless Steel Legs

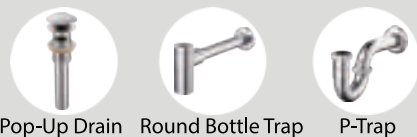
MONACO 30" SPECIFICATIONS

000 Series



FEATURES

- Solid Wood
- Soft-Closing Door & Drawer
- White Quartz Counter-Top / Backsplash
- Ceramic Under-mount Basin
- Compatible Medicine Cabinet, Mirror or LED Mirror
- Wooden Legs or Stainless Steel Legs
- Wall Hung Compatible
- Available Solid Wood Linen Cabinet



30" VANITY

MODEL #	Color	MSRP
V8000 30 01	Matte White	\$620.00
V8000 30 02	Espresso	\$620.00
V8000 30 15	Metal Grey	\$620.00

30" MEDICINE CABINET

MODEL #	Color	MSRP
MC7000 30 01	Matte White	\$450.00
MC7000 30 02	Espresso	\$450.00
MC7000 30 15	Metal Grey	\$450.00

30" MIRROR

MODEL #	Color	MSRP
*M6000 30 01	Matte White	\$205.00
*M6000 30 02	Espresso	\$205.00
*M6000 30 15	Metal Grey	\$205.00

30" LED MIRROR

MODEL #	Color	MSRP
*LED M1 3032	Glass	\$350.00

30" COUNTERTOP (30-1/2" X 22-1/4")

MODEL #	Color	MSRP
CT5000 3022 02	White Quartz	\$420.00
CT5015 3022 03	White Carrara Marble	\$395.00
CT5015 3022 04	Mocha Woodland Quartz	\$360.00

BASIN

MODEL #	Color	MSRP
C09 2114	White	\$160.00

30" WOODEN LEGS

MODEL #	Color	MSRP
L9000 30 01	Matte White	\$330.00
L9000 30 02	Espresso	\$330.00
L9000 30 15	Metal Grey	\$330.00

STAINLESS STEEL LEGS (For a pair of legs)

MODEL #	Color	MSRP
*L9 15 SS (15" Height)	Chrome	\$60.00

FAUCET (Faucet is shown in photo no. 1-6)

MODEL #	Color	MSRP
*F01 301 01	Chrome	\$190.00
*F01 301 02	Brush Nickel	\$210.00
*F01 302 01	Chrome	\$170.00
*F01 302 02	Brush Nickel	\$200.00
*F01 303 01	Chrome	\$175.00
*F01 303 02	Brush Nickel	\$215.00
*F01 304 01	Chrome	\$220.00
*F01 304 02	Brush Nickel	\$240.00

BASE FILLERS

MODEL #	Color	MSRP
*V8000 BF 01	Matte White	\$50.00
*V8000 BF 02	Espresso	\$50.00
*V8000 BF 15	Metal Grey	\$50.00

ACCESSORIES

MODEL #	Description/Color	MSRP
*BA02 001 01	Pop-Up Drain with Overflow Chrome	\$40.00
*BA02 001 02	Pop-Up Drain with Overflow Brush Nickel	\$45.00
*BA02 003 01	Round Bottle Trap / Chrome	\$50.00
*BA02 003 02	Round Bottle Trap / Brush Nickel	\$60.00
*BA02 004 01	P-Trap / Chrome	\$20.00

36 INCH MONACO



RECOMMENDED FAUCETS



Chrome
(F01 301 01)

Brush Nickel
(F01 301 02)



Chrome
(F01 302 01)

Brush Nickel
(F01 302 02)



Chrome
(F01 303 01)

Brush Nickel
(F01 303 02)



Chrome
(F01 304 01)

Brush Nickel
(F01 304 02)

- Espresso Vanity
- 36 Inch Wooden Legs
- 24 Inch Plus 12 Inch Vanity Combination
- Optional Left or Right Side Sink Mount
- White Quartz Countertop with Backsplash



▪ Metal Grey
▪ 12" Wall Cabinet Plus 24" Mirror Combination

1



▪ Espresso

2



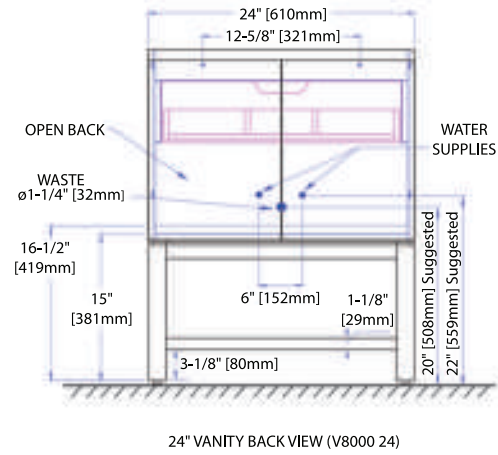
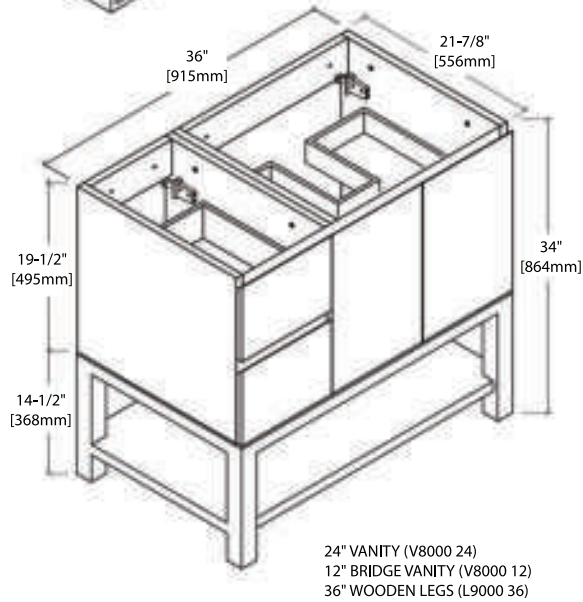
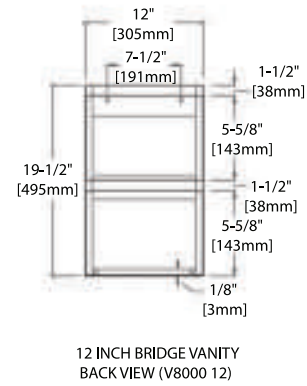
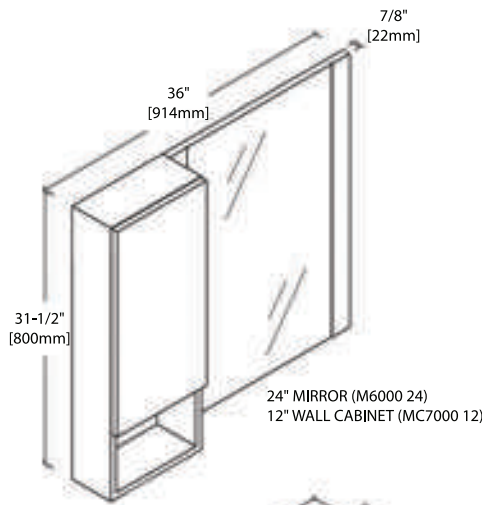
▪ Matte White
▪ 36" Wooden Legs
▪ Left Basin Base

3



▪ Espresso
▪ Spacious Storage Space
▪ Soft-Closing Doors & Drawers

4



FEATURES

- Solid Wood
- Soft-Closing Door & Drawer
- White Quartz Counter-Top / Backsplash
- Ceramic Under-mount Basin
- Compatible Medicine Cabinet, Mirror or LED Mirror
- Wooden Legs or Stainless Steel Legs
- Wall Hung Compatible
- Available Solid Wood Linen Cabinet



Pop-Up Drain



Round Bottle Trap

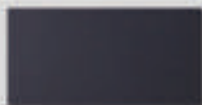


P-Trap

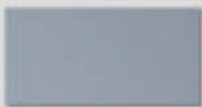
AVAILABLE COLORS



Matte White



Espresso



Metal Grey

VANITY

MODEL #	Description	Color	MSRP
V8000 24 01	24" Vanity	Matte White	\$560.00
V8000 24 02	24" Vanity	Espresso	\$560.00
V8000 24 15	24" Vanity	Metal Grey	\$560.00

MEDICINE CABINET

MODEL #	Description	Color	MSRP
MC7000 24 01	24" Medicine Cabinet	Matte White	\$380.00
MC7000 24 02	24" Medicine Cabinet	Espresso	\$380.00
MC7000 24 15	24" Medicine Cabinet	Metal Grey	\$380.00

MIRROR

MODEL #	Description	Color	MSRP
*M6000 24 01	24" Mirror	Matte White	\$175.00
*M6000 24 02	24" Mirror	Espresso	\$175.00
*M6000 24 15	24" Mirror	Metal Grey	\$175.00

WALL CABINET

MODEL #	Description	Color	MSRP
MC7000 12 01	12" Wall Cabinet	Matte White	\$270.00
MC7000 12 02	12" Wall Cabinet	Espresso	\$270.00
MC7000 12 15	12" Wall Cabinet	Metal Grey	\$270.00

BRIDGE VANITY

MODEL #	Description	Color	MSRP
V8000 12 01	12" Bridge Vanity	Matte White	\$460.00
V8000 12 02	12" Bridge Vanity	Espresso	\$460.00
V8000 12 15	12" Bridge Vanity	Metal Grey	\$460.00

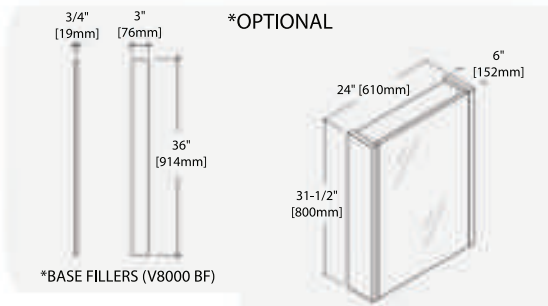
LEGEND
ASTERISK (*) = OPTIONAL ITEM

OPTIONAL ALTERNATIVES MIRRORS

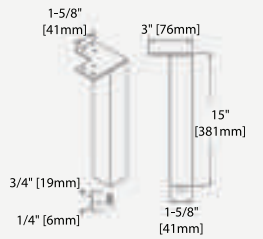
- 24" Medicine Cabinet Plus 12" Wall Cabinet (MC7000 24 + MC7000 12)

OPTIONAL ALTERNATIVES LEGS

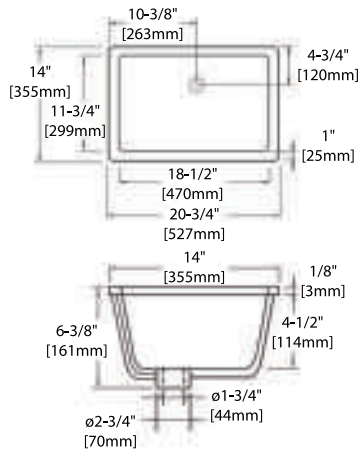
- Wall Hung
- 36" Wooden Legs (L9000 36)
- 15" Stainless Steel Legs (L9 15 SS)



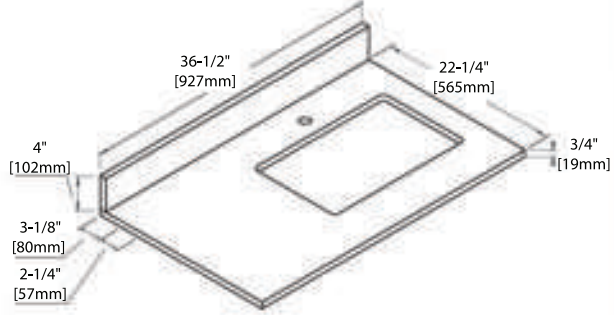
*24" MEDICINE CABINET (MC7000 24)



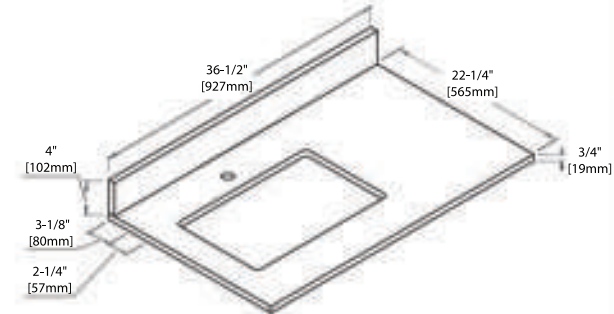
*STAINLESS STEEL LEGS 15" (L9 15 SS)



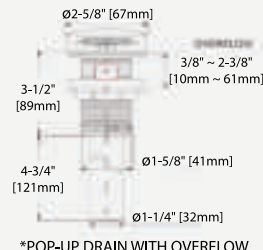
BASIN TOP VIEW (C09 2114)



COUNTERTOP RIGHT SIDE BASIN (CT5000 3622R 02)



COUNTERTOP LEFT SIDE BASIN (CT5000 3622L 02)



*POP-UP DRAIN WITH OVERFLOW

LEGEND
 ASTERISK (*) = OPTIONAL ALTERNATIVES

WOODEN LEGS

MODEL #	Description	Color	MSRP
L9000 36 01	36" Wooden Legs	Matte White	\$380.00
L9000 36 02	36" Wooden Legs	Espresso	\$380.00
L9000 36 15	36" Wooden Legs	Metal Grey	\$380.00

COUNTERTOP

MODEL #	Description	Color	MSRP
CT5000 3622L 02	Left Base 36-1/2" X 22-1/4"	White Quartz	\$490.00
CT5000 3622R 02	Right Base 36-1/2" X 22-1/4"	White Quartz	\$490.00

BASIN

MODEL #	Description	Color	MSRP
C09 2114	Ceramic Undermount Basin	White	\$160.00

STAINLESS STEEL LEGS (Price is for one pair of legs)

MODEL #	Description	Color	MSRP
*L9 15 SS	15" Height	Chrome	\$60.00

FAUCET (Recommend Faucets for Monaco Series)

MODEL #	Description/Material	Color	MSRP
*F01 301 01	Single Hole / Brass	Chrome	\$190.00
*F01 301 02	Single Hole / Brass	Brush Nickel	\$210.00
*F01 302 01	Single Hole / Brass	Chrome	\$170.00
*F01 302 02	Single Hole / Brass	Brush Nickel	\$200.00
*F01 303 01	Single Hole / Brass	Chrome	\$175.00
*F01 303 02	Single Hole / Brass	Brush Nickel	\$215.00
*F01 304 01	Single Hole / Brass	Chrome	\$220.00
*F01 304 02	Single Hole / Brass	Brush Nickel	\$240.00

BASE FILLERS

MODEL #	Description	Color	MSRP
*V8000 BF 01	3"W x 36" H	Matte White	\$50.00
*V8000 BF 02	3"W x 36" H	Espresso	\$50.00
*V8000 BF 15	3"W x 36" H	Metal Grey	\$50.00

ACCESSORIES

MODEL #	Description	Color	MSRP
*BA02 001 01	Pop-Up Drain with Overflow	Chrome	\$40.00
*BA02 001 02	Pop-Up Drain with Overflow	Brush Nickel	\$45.00
*BA02 003 01	Round Bottle Trap	Chrome	\$50.00
*BA02 003 02	Round Bottle Trap	Brush Nickel	\$60.00
*BA02 004 01	P-Trap	Chrome	\$20.00

42 INCH MONACO



- Matte White Vanity
- Wall Hung
- Optional Left or Right Side Sink Mount
- White Quartz Countertop with Backsplash

RECOMMENDED FAUCETS



Chrome
(F01 301 01)

Brush Nickel
(F01 301 02)



Chrome
(F01 302 01)

Brush Nickel
(F01 302 02)



Chrome
(F01 303 01)

Brush Nickel
(F01 303 02)



Chrome
(F01 304 01)

Brush Nickel
(F01 304 02)



- Metal Grey
- 42" Wooden Legs
- Right Basin Base

1



- Metal Grey
- 12" Wall Cabinet
- Adjustable Glass Shelf

2



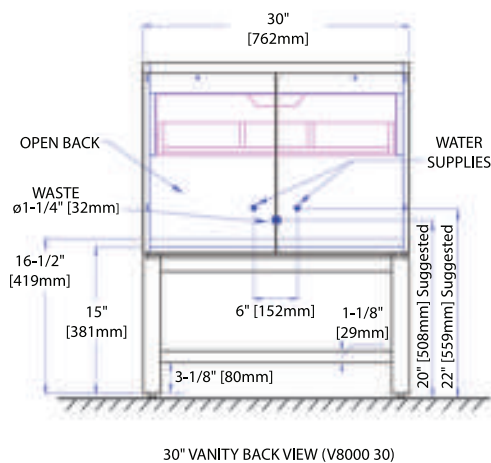
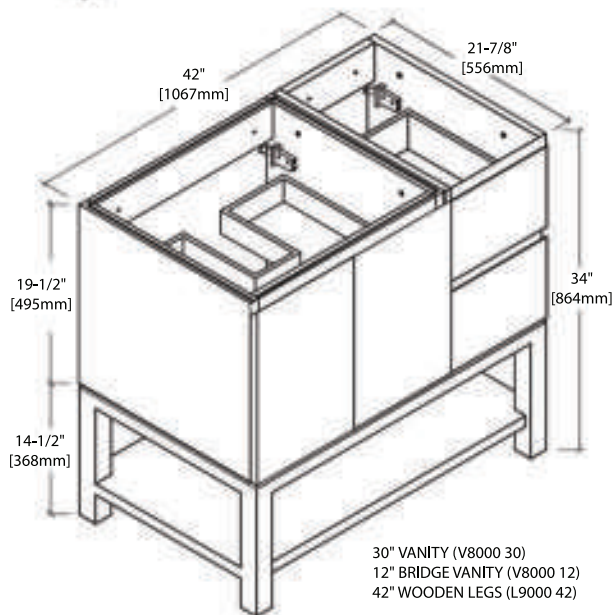
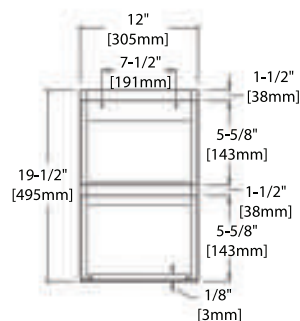
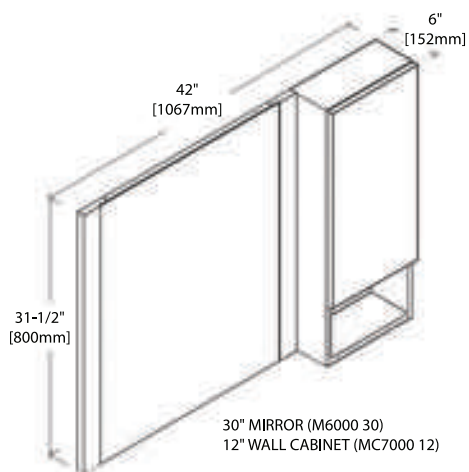
- Espresso
- Wall Hung
- Left Basin Base

3



- Matte White
- Bridge Vanity Drawers
- Soft-Closing Doors & Drawers

4



FEATURES

- Solid Wood
- Soft-Closing Door & Drawer
- White Quartz Counter-Top / Backsplash
- Ceramic Under-mount Basin
- Compatible Medicine Cabinet, Mirror or LED Mirror
- Wooden Legs or Stainless Steel Legs
- Wall Hung Compatible
- Available Solid Wood Linen Cabinet



Pop-Up Drain



Round Bottle Trap

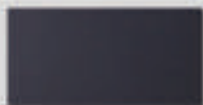


P-Trap

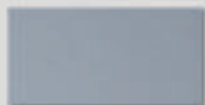
AVAILABLE COLORS



Matte White



Espresso



Metal Grey

VANITY

MODEL #	Description	Color	MSRP
V8000 30 01	30" Vanity	Matte White	\$620.00
V8000 30 02	30" Vanity	Espresso	\$620.00
V8000 30 15	30" Vanity	Metal Grey	\$620.00

MEDICINE CABINET

MODEL #	Description	Color	MSRP
MC7000 30 01	30" Medicine Cabinet	Matte White	\$450.00
MC7000 30 02	30" Medicine Cabinet	Espresso	\$450.00
MC7000 30 15	30" Medicine Cabinet	Metal Grey	\$450.00

MIRROR

MODEL #	Description	Color	MSRP
*M6000 30 01	30" Mirror	Matte White	\$205.00
*M6000 30 02	30" Mirror	Espresso	\$205.00
*M6000 30 15	30" Mirror	Metal Grey	\$205.00

WALL CABINET

MODEL #	Description	Color	MSRP
MC7000 12 01	12" Wall Cabinet	Matte White	\$270.00
MC7000 12 02	12" Wall Cabinet	Espresso	\$270.00
MC7000 12 15	12" Wall Cabinet	Metal Grey	\$270.00

BRIDGE VANITY

MODEL #	Description	Color	MSRP
V8000 12 01	12" Bridge Vanity	Matte White	\$460.00
V8000 12 02	12" Bridge Vanity	Espresso	\$460.00
V8000 12 15	12" Bridge Vanity	Metal Grey	\$460.00

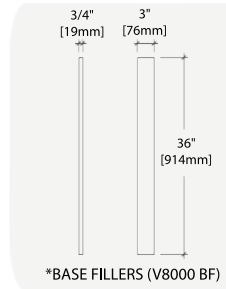
LEGEND
ASTERISK (*) = OPTIONAL ITEM

OPTIONAL ALTERNATIVES MIRRORS

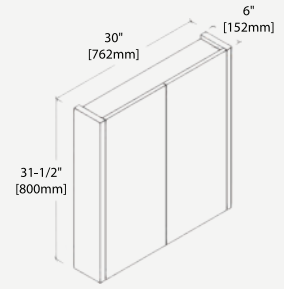
- 30" Medicine Cabinet Plus 12" Wall Cabinet (MC7000 30 + MC7000 12)

OPTIONAL ALTERNATIVES LEGS

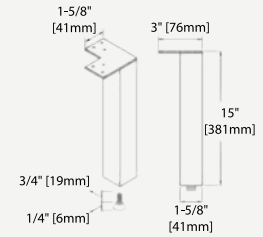
- Wall Hung
- 42" Wooden Legs (L9000 42)
- 15" Stainless Steel Legs (L9 15 SS)



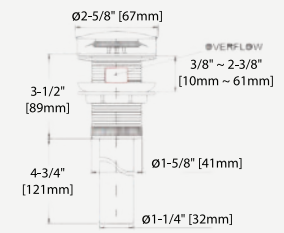
*OPTIONAL



*30" MEDICINE CABINET (MC7000 30)



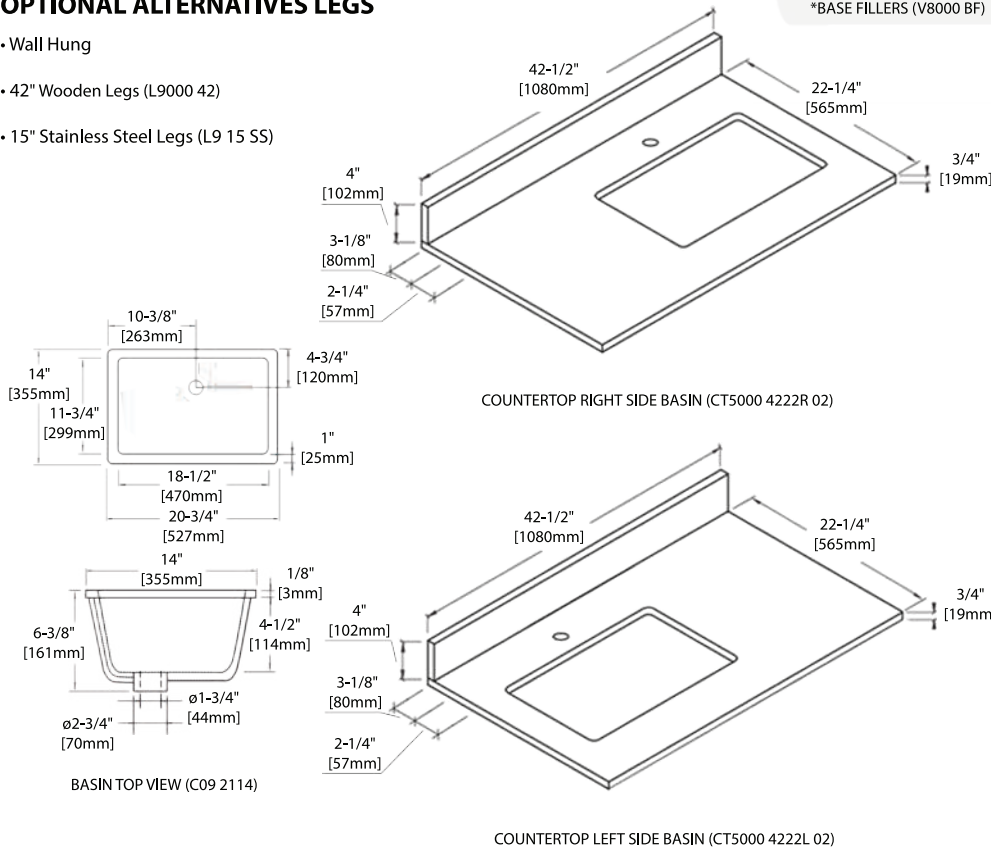
*STAINLESS STEEL LEGS 15" (L9 15 SS)



*POP-UP DRAIN WITH OVERFLOW

LEGEND

ASTERISK (*) = OPTIONAL ALTERNATIVES



WOODEN LEGS

MODEL #	Description	Color	MSRP
L9000 42 01	42" Wooden Legs	Matte White	\$430.00
L9000 42 02	42" Wooden Legs	Espresso	\$430.00
L9000 42 15	42" Wooden Legs	Metal Grey	\$430.00

COUNTERTOP

MODEL #	Description	Color	MSRP
CT5000 4222L 02	Left Base 42-1/2" X 22-1/4"	White Quartz	\$560.00
CT5000 4222R 02	Right Base 42-1/2" X 22-1/4"	White Quartz	\$560.00

BASIN

MODEL #	Description	Color	MSRP
C09 2114	Ceramic Undermount Basin	White	\$160.00

STAINLESS STEEL LEGS (Price is for one pair of legs)

MODEL #	Description	Color	MSRP
*L9 15 SS	15" Height	Chrome	\$60.00

FAUCET (Recommend Faucets for Monaco Series)

MODEL #	Description/Material	Color	MSRP
*F01 301 01	Single Hole / Brass	Chrome	\$190.00
*F01 301 02	Single Hole / Brass	Brush Nickel	\$210.00
*F01 302 01	Single Hole / Brass	Chrome	\$170.00
*F01 302 02	Single Hole / Brass	Brush Nickel	\$200.00
*F01 303 01	Single Hole / Brass	Chrome	\$175.00
*F01 303 02	Single Hole / Brass	Brush Nickel	\$215.00
*F01 304 01	Single Hole / Brass	Chrome	\$220.00
*F01 304 02	Single Hole / Brass	Brush Nickel	\$240.00

BASE FILLERS

MODEL #	Description	Color	MSRP
*V8000 BF 01	3" W x 36" H	Matte White	\$50.00
*V8000 BF 02	3" W x 36" H	Espresso	\$50.00
*V8000 BF 15	3" W x 36" H	Metal Grey	\$50.00

ACCESSORIES

MODEL #	Description	Color	MSRP
*BA02 001 01	Pop-Up Drain with Overflow	Chrome	\$40.00
*BA02 001 02	Pop-Up Drain with Overflow	Brush Nickel	\$45.00
*BA02 003 01	Round Bottle Trap	Chrome	\$50.00
*BA02 003 02	Round Bottle Trap	Brush Nickel	\$60.00
*BA02 004 01	P-Trap	Chrome	\$20.00

48 INCH MONACO



- Metal Grey Vanity
- Wooden Legs
- 48 Inch Mirror
- Double 24 Inch Wooden Legs
- Available with Single or Double Sink

RECOMMENDED FAUCETS



Chrome
(F01 301 01)

Brush Nickel
(F01 301 02)



Chrome
(F01 302 01)

Brush Nickel
(F01 302 02)



Chrome
(F01 303 01)

Brush Nickel
(F01 303 02)



Chrome
(F01 304 01)

Brush Nickel
(F01 304 02)



▪ Espresso



▪ Metal Grey



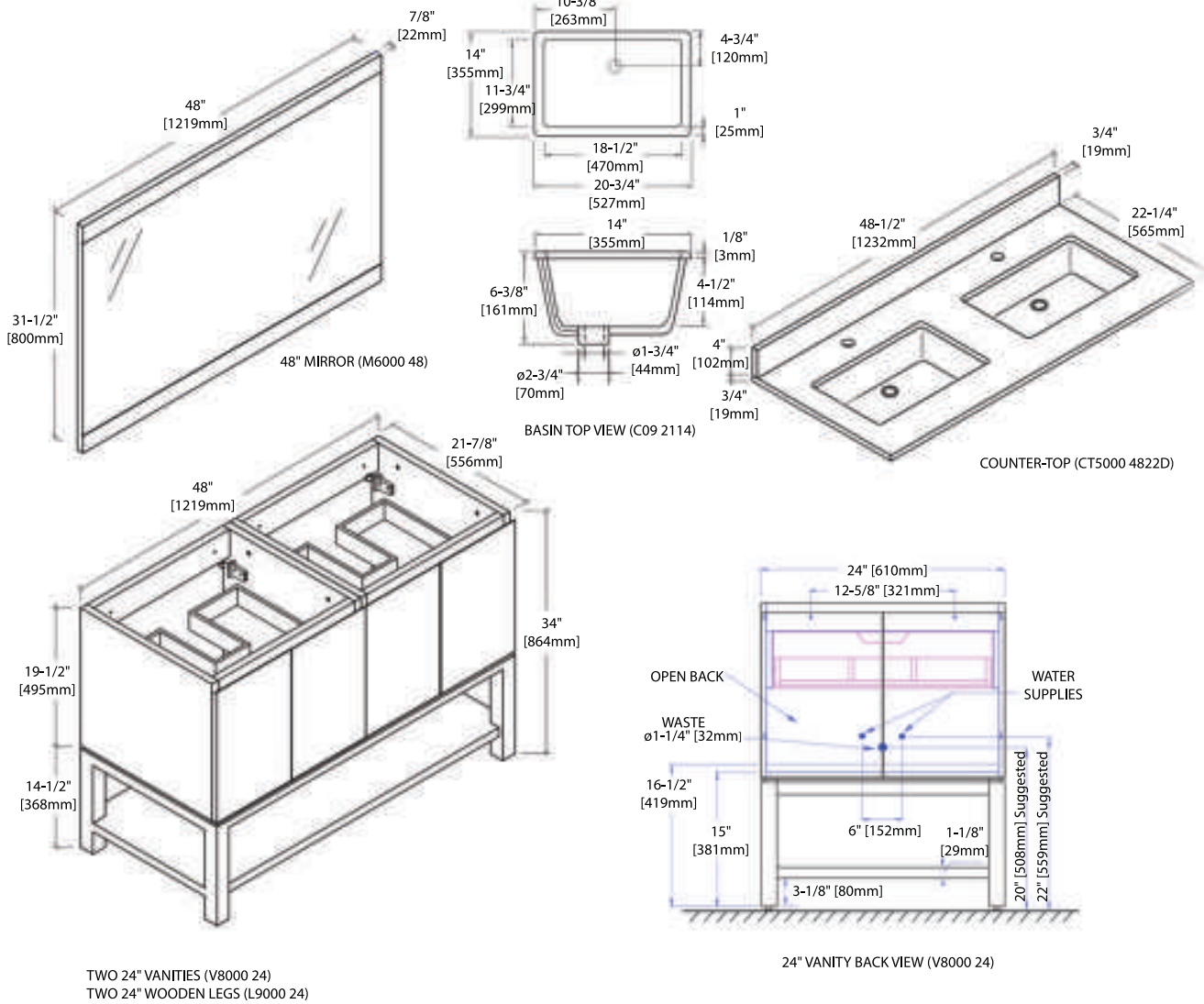
▪ Matte White



▪ 24" Mirror
▪ 12" Wall Cabinets
▪ Adjustable Glass Shelf

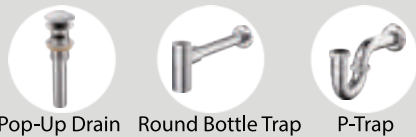


▪ Metal Grey



FEATURES

- Solid Wood
- Soft-Closing Door & Drawer
- White Quartz Counter-Top / Backsplash
- Ceramic Under-mount Basin
- Compatible Medicine Cabinet, Mirror or LED Mirror
- Wooden Legs or Stainless Steel Legs
- Wall Hung Compatible
- Available Solid Wood Linen Cabinet



AVAILABLE COLORS



VANITY (Requires Two 24" Units for Monaco 48" Combination)

MODEL #	Description	Color	MSRP
V8000 24 01	24" Vanity	Matte White	\$560.00
V8000 24 02	24" Vanity	Espresso	\$560.00
V8000 24 15	24" Vanity	Metal Grey	\$560.00

MEDICINE CABINET (Requires Two 24" Units for Monaco 48" Combination)

MODEL #	Description	Color	MSRP
MC7000 24 01	24" Medicine Cabinet	Matte White	\$380.00
MC7000 24 02	24" Medicine Cabinet	Espresso	\$380.00
MC7000 24 15	24" Medicine Cabinet	Metal Grey	\$380.00

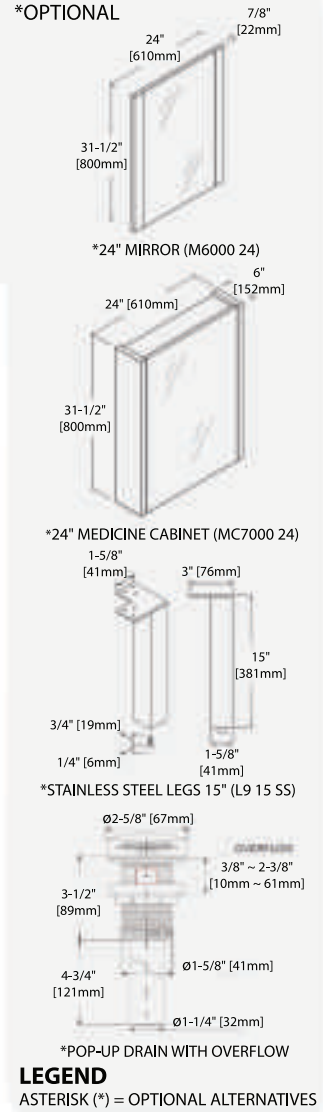
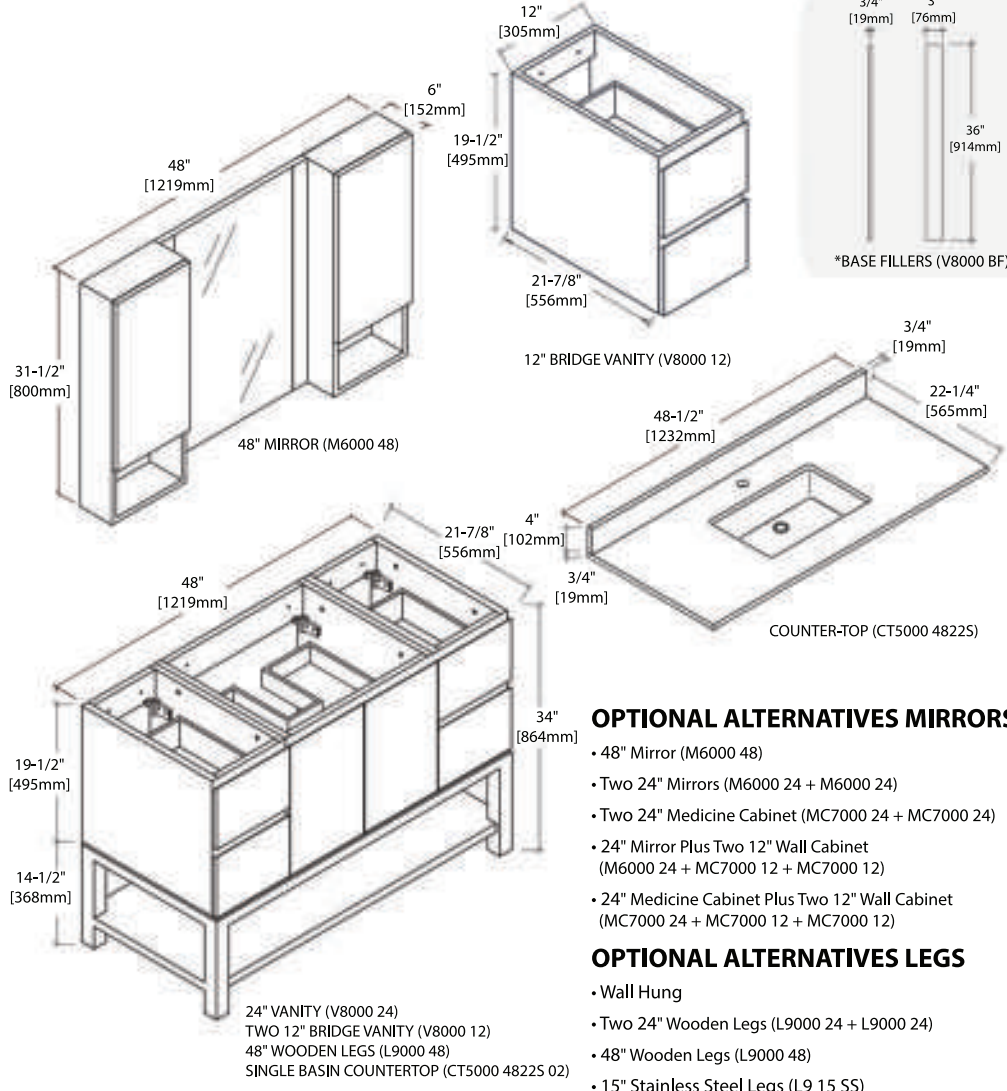
MIRROR (Requires Two 24" Units for Monaco 48" Combination)

MODEL #	Description	Color	MSRP
*M6000 48 01	48" Mirror	Matte White	\$255.00
*M6000 48 02	48" Mirror	Espresso	\$255.00
*M6000 48 15	48" Mirror	Metal Grey	\$255.00
*M6000 24 01	24" Mirror	Matte White	\$175.00
*M6000 24 02	24" Mirror	Espresso	\$175.00
*M6000 24 15	24" Mirror	Metal Grey	\$175.00

WALL CABINET (Requires Two 12" Units for Monaco 48" Single Basin Combo)

MODEL #	Description	Color	MSRP
MC7000 12 01	12" Wall Cabinet	Matte White	\$270.00
MC7000 12 02	12" Wall Cabinet	Espresso	\$270.00
MC7000 12 15	12" Wall Cabinet	Metal Grey	\$270.00

LEGEND
ASTERISK (*) = OPTIONAL ITEM



OPTIONAL ALTERNATIVES MIRRORS

- 48" Mirror (M6000 48)
- Two 24" Mirrors (M6000 24 + M6000 24)
- Two 24" Medicine Cabinet (MC7000 24 + MC7000 24)
- 24" Mirror Plus Two 12" Wall Cabinet (M6000 24 + MC7000 12 + MC7000 12)
- 24" Medicine Cabinet Plus Two 12" Wall Cabinet (MC7000 24 + MC7000 12 + MC7000 12)

OPTIONAL ALTERNATIVES LEGS

- Wall Hung
- Two 24" Wooden Legs (L9000 24 + L9000 24)
- 48" Wooden Legs (L9000 48)
- 15" Stainless Steel Legs (L9 15 SS)

LEGEND
 ASTERISK (*) = OPTIONAL ALTERNATIVES

BRIDGE VANITY (Requires (2) 12" Units for Monaco 48" Single Basin Combo)

MODEL #	Description	Color	MSRP
V8000 12 01	12" Bridge Vanity	Matte White	\$460.00
V8000 12 02	12" Bridge Vanity	Espresso	\$460.00
V8000 12 15	12" Bridge Vanity	Metal Grey	\$460.00

WOODEN LEGS (Requires (2) 24" or (1) 48" Units for Monaco 48" leg Combo)

MODEL #	Description	Color	MSRP
L9000 24 01	24" Wooden Legs	Matte White	\$280.00
L9000 24 02	24" Wooden Legs	Espresso	\$280.00
L9000 24 15	24" Wooden Legs	Metal Grey	\$280.00
L9000 48 01	48" Wooden Legs	Matte White	\$480.00
L9000 48 02	48" Wooden Legs	Espresso	\$480.00
L9000 48 15	48" Wooden Legs	Metal Grey	\$480.00

COUNTERTOP

MODEL #	Description	Color	MSRP
CT5000 4822D 02	Double Basin 48-1/2" X 22-1/4"	White Quartz	\$720.00
CT5000 4822S 02	Single Basin 48-1/2" X 22-1/4"	White Quartz	\$670.00

BASIN (Requires Two Units for Monaco 48" Combination)

MODEL #	Description	Color	MSRP
C09 2114	Ceramic Undermount Basin	White	\$160.00

LINEN CABINET

MODEL #	Description	Color	MSRP
*V8000 15 01	15" Linen Cabinet	Matte White	\$840.00
*V8000 15 02	15" Linen Cabinet	Espresso	\$840.00
*V8000 15 15	15" Linen Cabinet	Metal Grey	\$840.00

STAINLESS STEEL LEGS (Price is for one pair of legs)

MODEL #	Description	Color	MSRP
*L9 15 SS	15" Height	Chrome	\$60.00

FAUCET (Recommended Faucets for Monaco Series)

MODEL #	Description/Material	Color	MSRP
*F01 301 01	Single Hole / Brass	Chrome	\$190.00
*F01 301 02	Single Hole / Brass	Brush Nickel	\$210.00
*F01 302 01	Single Hole / Brass	Chrome	\$170.00
*F01 302 02	Single Hole / Brass	Brush Nickel	\$200.00
*F01 303 01	Single Hole / Brass	Chrome	\$175.00
*F01 303 02	Single Hole / Brass	Brush Nickel	\$215.00
*F01 304 01	Single Hole / Brass	Chrome	\$220.00
*F01 304 02	Single Hole / Brass	Brush Nickel	\$240.00

BASE FILLERS

MODEL #	Description	Color	MSRP
*V8000 BF 01	3" W x 36" H	Matte White	\$50.00
*V8000 BF 02	3" W x 36" H	Espresso	\$50.00
*V8000 BF 15	3" W x 36" H	Metal Grey	\$50.00

ACCESSORIES

MODEL #	Description	Color	MSRP
*BA02 001 01	Pop-Up Drain with Overflow	Chrome	\$40.00
*BA02 001 02	Pop-Up Drain with Overflow	Brush Nickel	\$45.00
*BA02 003 01	Round Bottle Trap	Chrome	\$50.00
*BA02 003 02	Round Bottle Trap	Brush Nickel	\$60.00
*BA02 004 01	P-Trap	Chrome	\$20.00

54 INCH MONACO



- Matte White Vanity
- 54 Inch Wooden Legs
- Undermount Basin
- Single Faucet Hole

RECOMMENDED FAUCETS



Chrome
(F01 301 01)

Brush Nickel
(F01 301 02)



Chrome
(F01 302 01)

Brush Nickel
(F01 302 02)



Chrome
(F01 303 01)

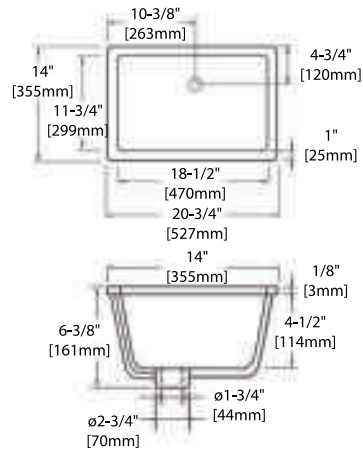
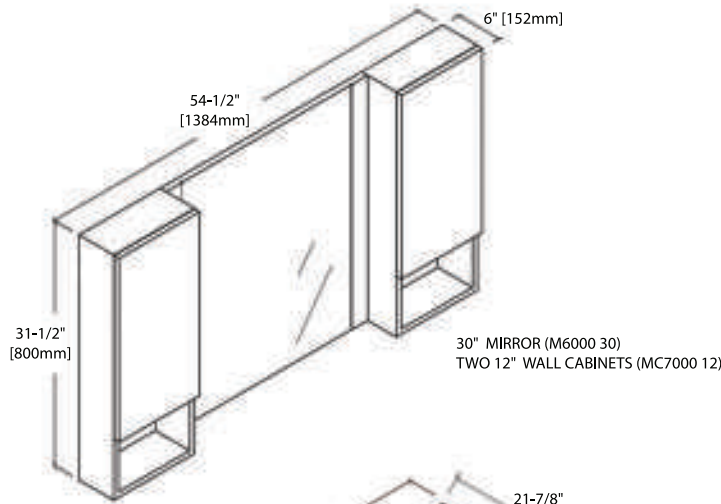
Brush Nickel
(F01 303 02)



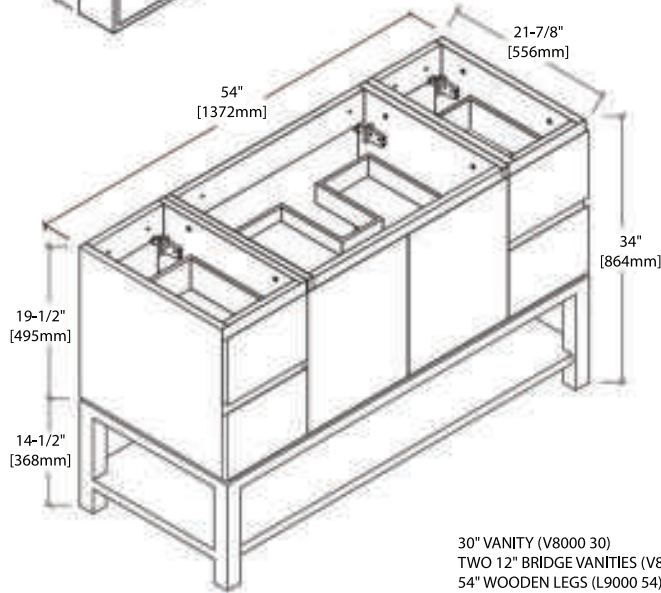
Chrome
(F01 304 01)

Brush Nickel
(F01 304 02)

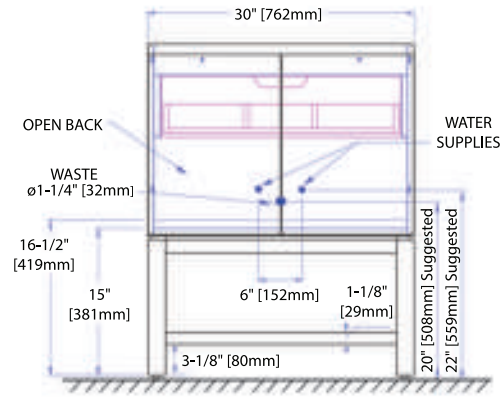




BASIN TOP VIEW (C09 2114)



30" VANITY (V8000 30)
TWO 12" BRIDGE VANITIES (V8000 12)
54" WOODEN LEGS (L9000 54)



30" VANITY BACK VIEW (V8000 30)

FEATURES

- Solid Wood
- Soft-Closing Door & Drawer
- White Quartz Counter-Top / Backsplash
- Ceramic Under-mount Basin
- Compatible Medicine Cabinet, Mirror or LED Mirror
- Wooden Legs or Stainless Steel Legs
- Wall Hung Compatible
- Available Solid Wood Linen Cabinet



Pop-Up Drain

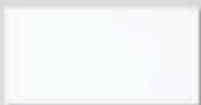


Round Bottle Trap

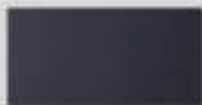


P-Trap

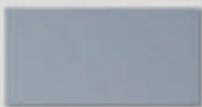
AVAILABLE COLORS



Matte White



Espresso



Metal Grey

VANITY

MODEL #	Description	Color	MSRP
V8000 30 01	30" Vanity	Matte White	\$620.00
V8000 30 02	30" Vanity	Espresso	\$620.00
V8000 30 15	30" Vanity	Metal Grey	\$620.00

MIRROR

MODEL #	Description	Color	MSRP
*M6000 30 01	30" Mirror	Matte White	\$205.00
*M6000 30 02	30" Mirror	Espresso	\$205.00
*M6000 30 15	30" Mirror	Metal Grey	\$205.00

MEDICINE CABINET

MODEL #	Description	Color	MSRP
MC7000 30 01	30" Medicine Cabinet	Matte White	\$450.00
MC7000 30 02	30" Medicine Cabinet	Espresso	\$450.00
MC7000 30 15	30" Medicine Cabinet	Metal Grey	\$450.00

WALL CABINET (Requires Two 12" Units for Monaco 54" Combination)

MODEL #	Description	Color	MSRP
MC7000 12 01	12" Wall Cabinet	Matte White	\$270.00
MC7000 12 02	12" Wall Cabinet	Espresso	\$270.00
MC7000 12 15	12" Wall Cabinet	Metal Grey	\$270.00

LEGEND

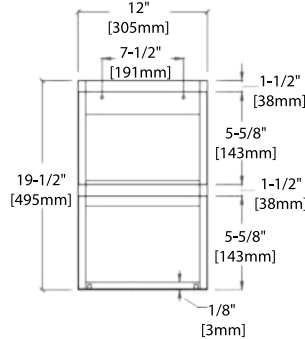
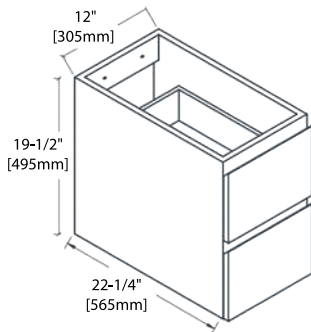
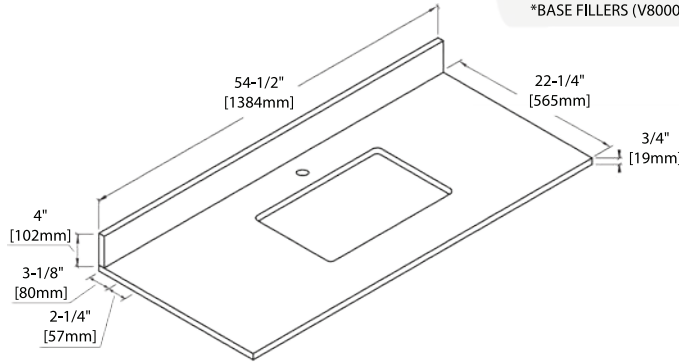
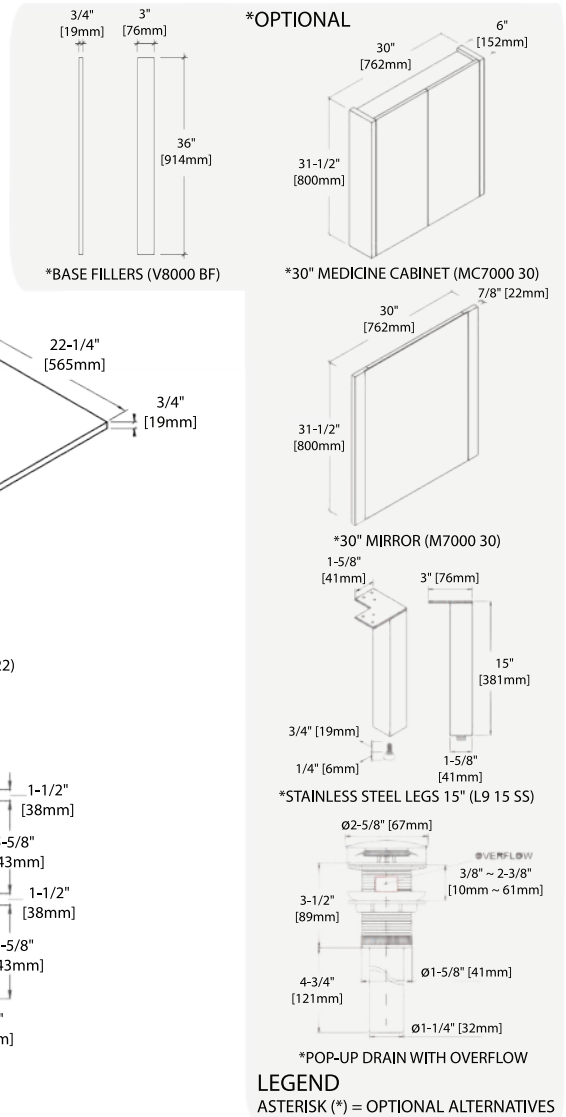
ASTERISK (*) = OPTIONAL ITEM

OPTIONAL ALTERNATIVES MIRRORS

- 30" Mirror Plus Two 12" Wall Cabinet (M6000 30 + MC7000 12 + MC7000 12)
- 30" Medicine Cabinet Plus 12" Wall Cabinet (MC7000 30 + MC7000 12 + MC7000 12)

OPTIONAL ALTERNATIVES LEGS

- Wall Hung
- 54" Wooden Legs (L9000 54)
- 15" Stainless Steel Legs (L9 15 SS)



BRIDGE VANITY (Requires (2) 12" Units for Monaco 48" Single Basin Combo)

MODEL #	Description	Color	MSRP
V8000 12 01	12" Bridge Vanity	Matte White	\$460.00
V8000 12 02	12" Bridge Vanity	Espresso	\$460.00
V8000 12 15	12" Bridge Vanity	Metal Grey	\$460.00

COUNTERTOP

MODEL #	Description	Color	MSRP
CT5000 5422 02	54-1/2" X 22-1/4"	White	\$750.00

BASIN

MODEL #	Description	Color	MSRP
C09 2114	Ceramic Undermount Basin	White	\$160.00

WOODEN LEGS

MODEL #	Description	Color	MSRP
L9000 54 01	54" Wooden Legs	Matte White	\$530.00
L9000 54 02	54" Wooden Legs	Espresso	\$530.00
L9000 54 15	54" Wooden Legs	Metal Grey	\$530.00

STAINLESS STEEL LEGS (Price is for one pair of legs)

MODEL #	Description	Color	MSRP
*L9 15 SS	15" Height	Chrome	\$60.00

FAUCET (Recommended Faucets for Monaco Series)

MODEL #	Description/Material	Color	MSRP
*F01 301 01	Single Hole / Brass	Chrome	\$190.00
*F01 301 02	Single Hole / Brass	Brush Nickel	\$210.00
*F01 302 01	Single Hole / Brass	Chrome	\$170.00
*F01 302 02	Single Hole / Brass	Brush Nickel	\$200.00
*F01 303 01	Single Hole / Brass	Chrome	\$175.00
*F01 303 02	Single Hole / Brass	Brush Nickel	\$215.00
*F01 304 01	Single Hole / Brass	Chrome	\$220.00
*F01 304 02	Single Hole / Brass	Brush Nickel	\$240.00

BASE FILLERS

MODEL #	Description	Color	MSRP
*V8000 BF 01	3" W x 36" H	Matte White	\$50.00
*V8000 BF 02	3" W x 36" H	Espresso	\$50.00
*V8000 BF 15	3" W x 36" H	Metal Grey	\$50.00

ACCESSORIES

MODEL #	Description	Color	MSRP
*BA02 001 01	Pop-Up Drain with Overflow	Chrome	\$40.00
*BA02 001 02	Pop-Up Drain with Overflow	Brush Nickel	\$45.00
*BA02 003 01	Round Bottle Trap	Chrome	\$50.00
*BA02 003 02	Round Bottle Trap	Brush Nickel	\$60.00
*BA02 004 01	P-Trap	Chrome	\$20.00

60 INCH MONACO



- Espresso Vanity
- Double 24 Inch Wooden Legs
- 24 Inch Mirrors
- Compatible with Two 30 Inch Vanities
- Spacious Storage Space
- Double Undermount Basin
- Single Faucet Hole

RECOMMENDED FAUCETS



Chrome
(F01 301 01)

Brush Nickel
(F01 301 02)



Chrome
(F01 303 01)

Brush Nickel
(F01 303 02)



Chrome
(F01 302 01)

Brush Nickel
(F01 302 02)



Chrome
(F01 304 01)

Brush Nickel
(F01 304 02)



- Matte White
- Double 30" Wooden Legs
- White Quartz Countertop with Backsplash

1



Expand to 75"
with 15" Linen Cabinet

- Matte White
- Reversible Doors
- Adjustable Glass Shelves
- Spacious Storage Space

2



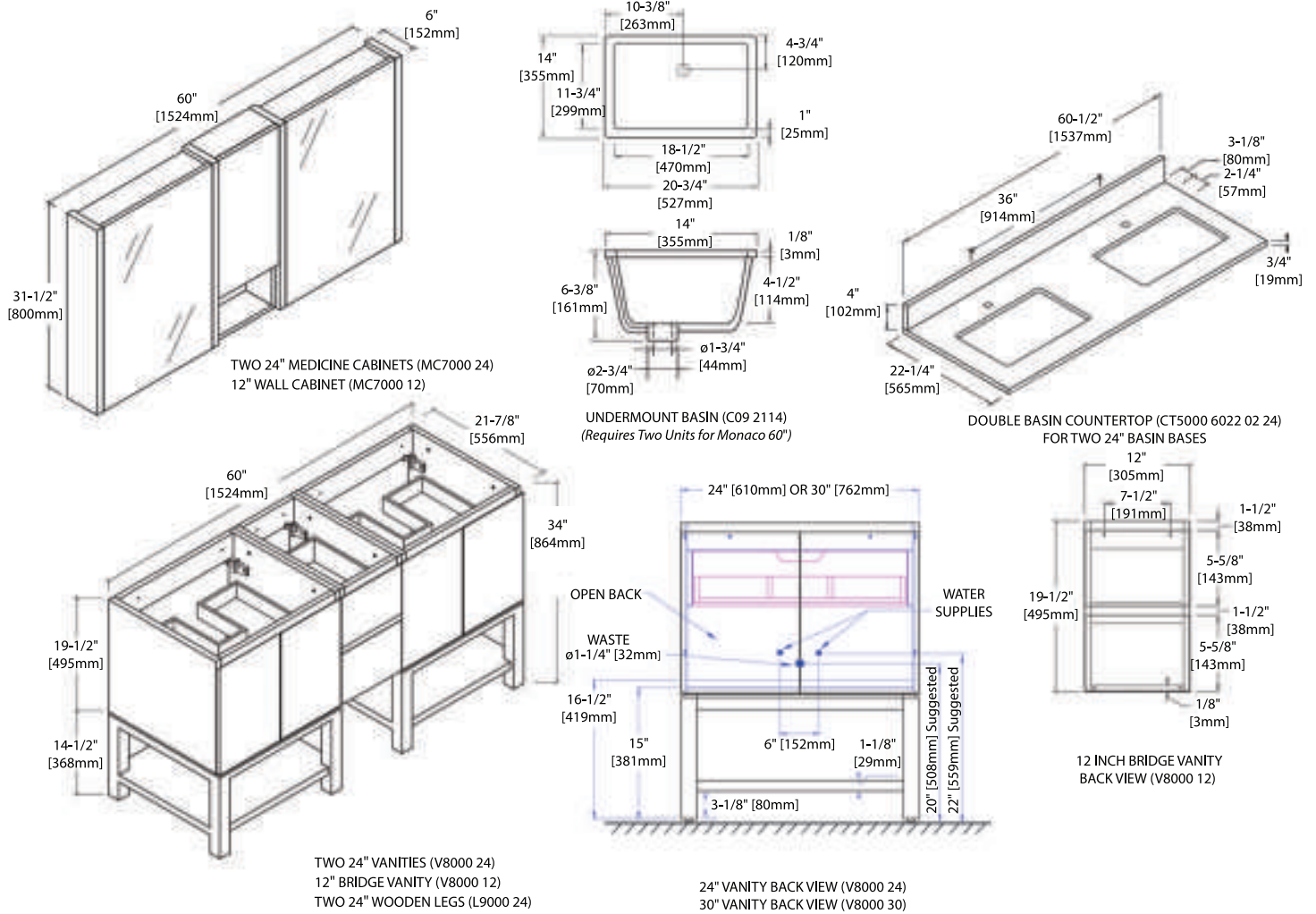
- Metal Grey
- Wall Hung
- Two 24" Plus 12" Bridge Combination

3



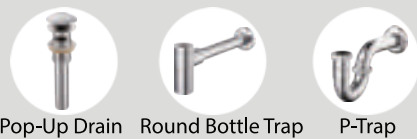
- Espresso

4



FEATURES

- Solid Wood
- Soft-Closing Door & Drawer
- White Quartz Counter-Top / Backsplash
- Ceramic Under-mount Basin
- Compatible Medicine Cabinet, Mirror or LED Mirror
- Wooden Legs or Stainless Steel Legs
- Wall Hung Compatible
- Available Solid Wood Linen Cabinet



AVAILABLE COLORS



VANITY (Requires Two 24" or 30" Units for Monaco 60" Combination)

MODEL #	Description	Color	MSRP
V8000 24 01	24" Vanity	Matte White	\$560.00
V8000 24 02	24" Vanity	Espresso	\$560.00
V8000 24 15	24" Vanity	Metal Grey	\$560.00
V8000 30 01	30" Vanity	Matte White	\$620.00
V8000 30 02	30" Vanity	Espresso	\$620.00
V8000 30 15	30" Vanity	Metal Grey	\$620.00

MEDICINE CABINET (Requires Two 24" or 30" Units for Monaco 60" Combo)

MODEL #	Description	Color	MSRP
MC7000 24 01	24" Medicine Cabinet	Matte White	\$380.00
MC7000 24 02	24" Medicine Cabinet	Espresso	\$380.00
MC7000 24 15	24" Medicine Cabinet	Metal Grey	\$380.00
MC7000 30 01	30" Medicine Cabinet	Matte White	\$450.00
MC7000 30 02	30" Medicine Cabinet	Espresso	\$450.00
MC7000 30 15	30" Medicine Cabinet	Metal Grey	\$450.00

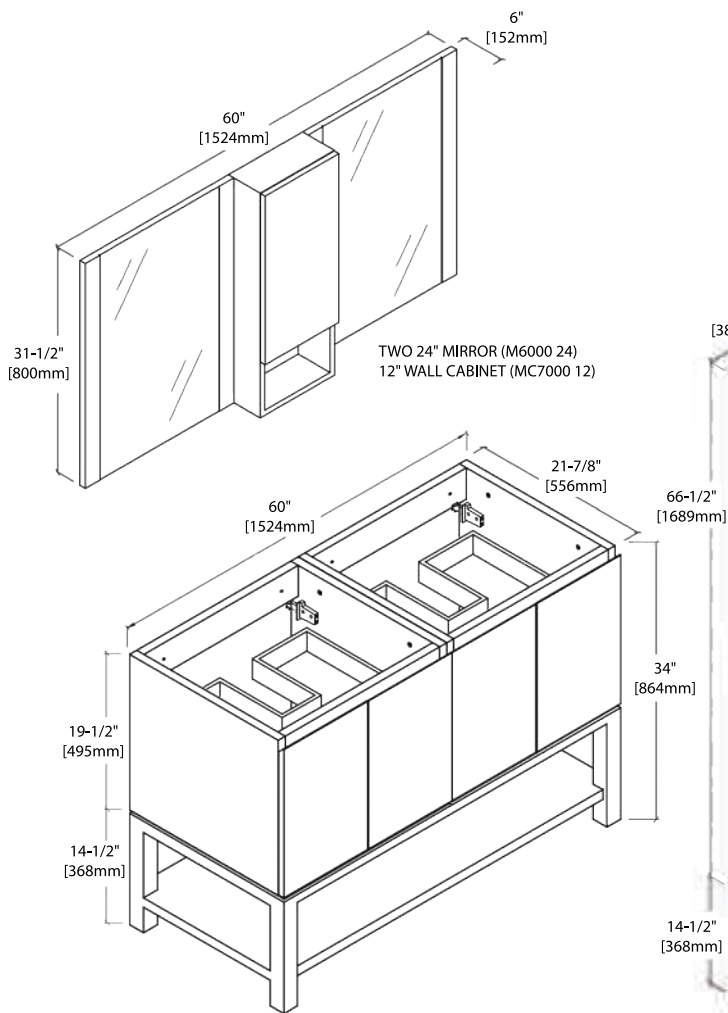
MIRROR (Requires Two 24" or 30" Units for Monaco 60" Combination)

MODEL #	Description	Color	MSRP
*M6000 24 01	24" Mirror	Matte White	\$175.00
*M6000 24 02	24" Mirror	Espresso	\$175.00
*M6000 24 15	24" Mirror	Metal Grey	\$175.00
*M6000 30 01	30" Mirror	Matte White	\$205.00
*M6000 30 02	30" Mirror	Espresso	\$205.00
*M6000 30 15	30" Mirror	Metal Grey	\$205.00

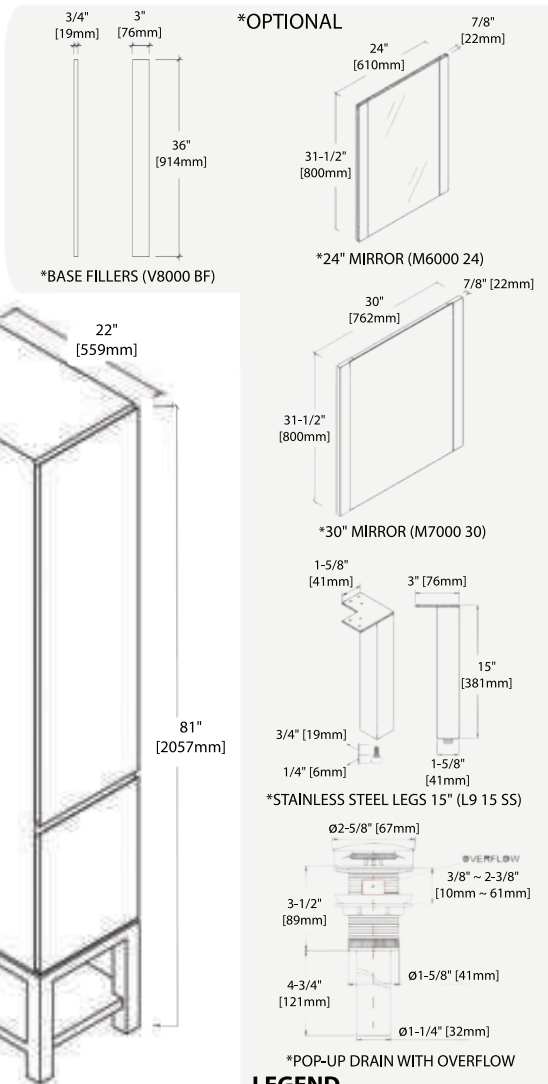
WALL CABINET

MODEL #	Description	Color	MSRP
MC7000 12 01	12" Wall Cabinet	Matte White	\$270.00
MC7000 12 02	12" Wall Cabinet	Espresso	\$270.00
MC7000 12 15	12" Wall Cabinet	Metal Grey	\$270.00

LEGEND
ASTERISK (*) = OPTIONAL ITEM



TWO 30" VANITIES (V8000 30)
TWO 30" WOODEN LEGS (L9000 30)



15" LINEN CABINET (V8000 15)
15" WOODEN LEGS (L9000 15)

LEGEND
ASTERISK (*) = OPTIONAL ALTERNATIVES

BRIDGE VANITY

MODEL #	Description	Color	MSRP
V8000 12 01	12" Bridge Vanity	Matte White	\$460.00
V8000 12 02	12" Bridge Vanity	Espresso	\$460.00
V8000 12 15	12" Bridge Vanity	Metal Grey	\$460.00

WOODEN LEGS

MODEL #	Description	Color	MSRP
L9000 15 01	15" Wooden Legs	Matte White	\$230.00
L9000 15 02	15" Wooden Legs	Espresso	\$230.00
L9000 15 15	15" Wooden Legs	Metal Grey	\$230.00
L9000 24 01	24" Wooden Legs	Matte White	\$280.00
L9000 24 02	24" Wooden Legs	Espresso	\$280.00
L9000 24 15	24" Wooden Legs	Metal Grey	\$280.00
L9000 30 01	30" Wooden Legs	Matte White	\$330.00
L9000 30 02	30" Wooden Legs	Espresso	\$330.00
L9000 30 15	30" Wooden Legs	Metal Grey	\$330.00

COUNTERTOP

MODEL #	Description	Color	MSRP
CT5000 6022 02 24	60-1/2" X 22-1/4"	White	\$850.00
CT5000 6022 02 30	60-1/2" X 22-1/4"	White	\$850.00

BASIN (Requires Two Units for Monaco 60" Combination)

MODEL #	Description	Color	MSRp
C09 2114	Ceramic Undermount Basin	White	\$160.00

LINEN CABINET

MODEL #	Description	Color	MSRP
*V8000 15 01	15" Linen Cabinet	Matte White	\$840.00
*V8000 15 02	15" Linen Cabinet	Espresso	\$840.00
*V8000 15 15	15" Linen Cabinet	Metal Grey	\$840.00

STAINLESS STEEL LEGS (Price is for one pair of legs)

MODEL #	Description	Color	MSRP
*L9 15 SS	15" Height	Chrome	\$60.00

FAUCET (Recommend Faucets for Monaco Series)

MODEL #	Description/Material	Color	MSRP
*F01 301 01	Single Hole / Brass	Chrome	\$190.00
*F01 301 02	Single Hole / Brass	Brush Nickel	\$210.00
*F01 302 01	Single Hole / Brass	Chrome	\$170.00
*F01 302 02	Single Hole / Brass	Brush Nickel	\$200.00
*F01 303 01	Single Hole / Brass	Chrome	\$175.00
*F01 303 02	Single Hole / Brass	Brush Nickel	\$215.00
*F01 304 01	Single Hole / Brass	Chrome	\$220.00
*F01 304 02	Single Hole / Brass	Brush Nickel	\$240.00

BASE FILLERS

MODEL #	Description	Color	MSRP
*V8000 BF 01	3" W x 36" H	Matte White	\$50.00
*V8000 BF 02	3" W x 36" H	Espresso	\$50.00
*V8000 BF 15	3" W x 36" H	Metal Grey	\$50.00

ACCESSORIES

MODEL #	Description	Color	MSRP
*BA02 001 01	Pop-Up Drain with Overflow	Chrome	\$40.00
*BA02 001 02	Pop-Up Drain with Overflow	Brush Nickel	\$45.00
*BA02 003 01	Round Bottle Trap	Chrome	\$50.00
*BA02 003 02	Round Bottle Trap	Brush Nickel	\$60.00
*BA02 004 01	P-Trap	Chrome	\$20.00

72 INCH MONACO



- Metal Grey Vanity
- Double 30" Wooden Legs
- 15" Linen Cabinet
- Double Undermount Basin
- Single Faucet Hole

RECOMMENDED FAUCETS



Chrome
(F01 301 01)

Brush Nickel
(F01 301 02)



Chrome
(F01 303 01)

Brush Nickel
(F01 303 02)



Chrome
(F01 302 01)

Brush Nickel
(F01 302 02)

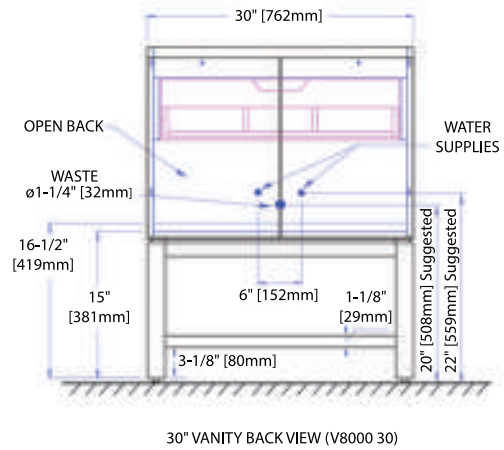
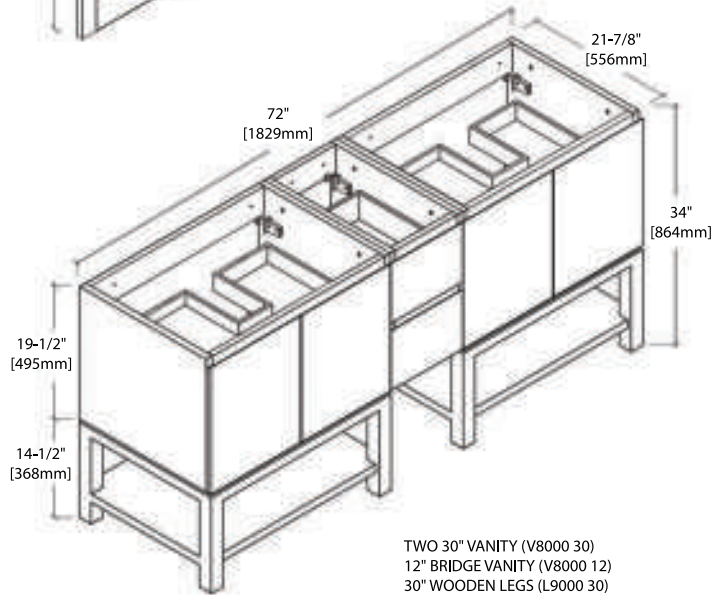
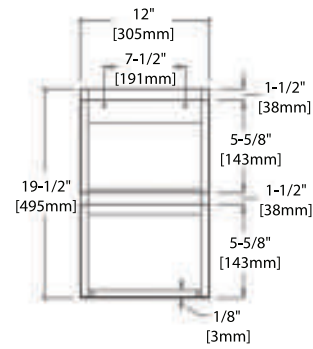
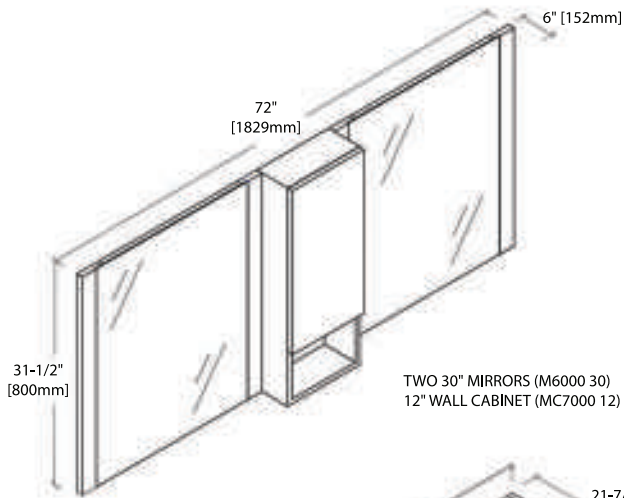


Chrome
(F01 304 01)

Brush Nickel
(F01 304 02)



▪ White Quartz Countertop with Backsplash



FEATURES

- Solid Wood
- Soft-Closing Door & Drawer
- White Quartz Counter-Top / Backsplash
- Ceramic Under-mount Basin
- Compatible Medicine Cabinet, Mirror or LED Mirror
- Wooden Legs or Stainless Steel Legs
- Wall Hung Compatible
- Available Solid Wood Linen Cabinet



AVAILABLE COLORS



VANITY (Requires Two Units for Monaco 72" Combination)

MODEL #	Description	Color	MSRP
V8000 30 01	30" Vanity	Matte White	\$620.00
V8000 30 02	30" Vanity	Espresso	\$620.00
V8000 30 15	30" Vanity	Metal Grey	\$620.00

MEDICINE CABINET (Requires Two Units for Monaco 72" Combination)

MODEL #	Description	Color	MSRP
MC7000 30 01	30" Medicine Cabinet	Matte White	\$450.00
MC7000 30 02	30" Medicine Cabinet	Espresso	\$450.00
MC7000 30 15	30" Medicine Cabinet	Metal Grey	\$450.00

MIRROR (Requires Two Units for Monaco 72" Combination)

MODEL #	Description	Color	MSRP
*M6000 30 01	30" Mirror	Matte White	\$205.00
*M6000 30 02	30" Mirror	Espresso	\$205.00
*M6000 30 15	30" Mirror	Metal Grey	\$205.00

WALL CABINET

MODEL #	Description	Color	MSRP
MC7000 12 01	12" Wall Cabinet	Matte White	\$270.00
MC7000 12 02	12" Wall Cabinet	Espresso	\$270.00
MC7000 12 15	12" Wall Cabinet	Metal Grey	\$270.00

BRIDGE VANITY

MODEL #	Description	Color	MSRP
V8000 12 01	12" Bridge Vanity	Matte White	\$460.00
V8000 12 02	12" Bridge Vanity	Espresso	\$460.00
V8000 12 15	12" Bridge Vanity	Metal Grey	\$460.00

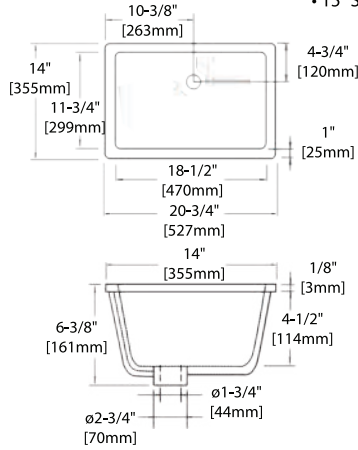
LEGEND
ASTERISK (*) = OPTIONAL ITEM

OPTIONAL ALTERNATIVES MIRRORS

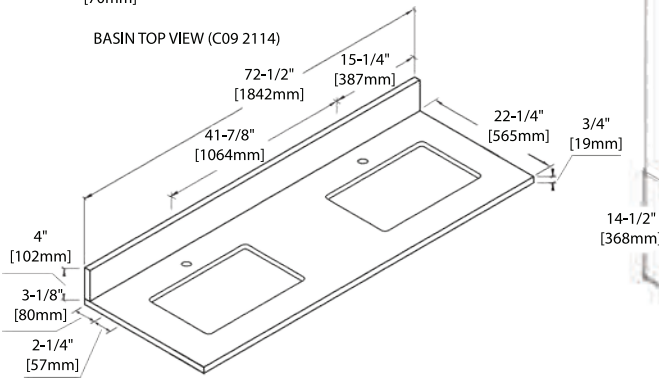
- Two 30" Mirror Plus 12" Wall Cabinet (M6000 30 + M6000 30 + MC7000 12)
- Two 30" Medicine Cabinet Plus 12" Wall Cabinet (MC7000 30 + MC7000 30 + MC7000 12)

OPTIONAL ALTERNATIVES LEGS

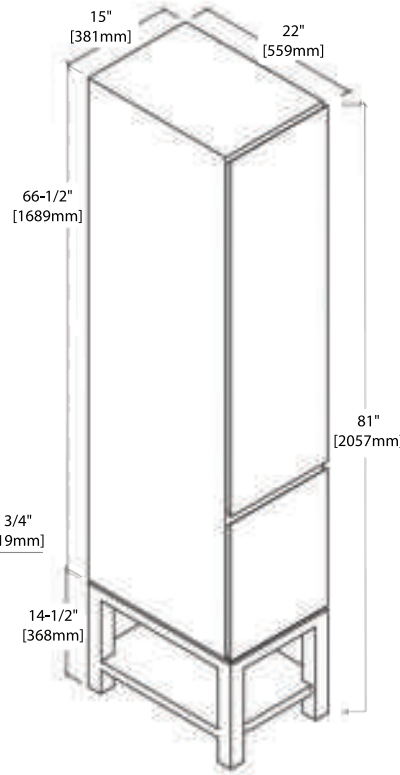
- Wall Hung
- Two 30" Wooden Legs (L9000 30 + L9000 30)
- 15" Stainless Steel Legs (L9 15 SS)



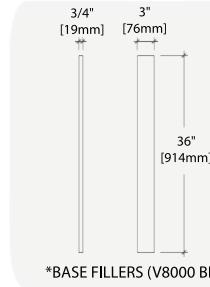
BASIN TOP VIEW (C09 2114)



DOUBLE SINK COUNTERTOP (CT5000 7222)

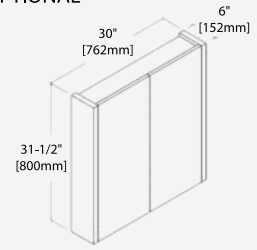


15" LINEN CABINET (V8000 15)
15" WOODEN LEGS (L9000 15)

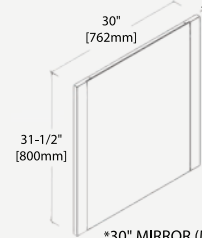


*BASE FILLERS (V8000 BF)

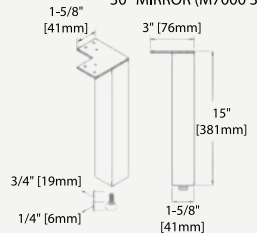
***OPTIONAL**



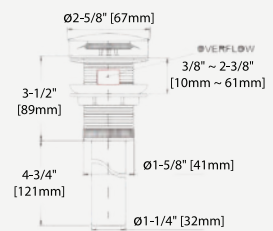
*30" MEDICINE CABINET (MC7000 30) 7/8" [22mm]



*30" MIRROR (M7000 30)



*STAINLESS STEEL LEGS 15" (L9 15 SS)



*POP-UP DRAIN WITH OVERFLOW

LEGEND

ASTERISK (*) = OPTIONAL ALTERNATIVES

WOODEN LEGS (Requires Two Units for Monaco 72" Combination)

MODEL #	Description	Color	MSRP
L9000 15 01	15" Wooden Legs	Matte White	\$230.00
L9000 15 02	15" Wooden Legs	Espresso	\$230.00
L9000 15 15	15" Wooden Legs	Metal Grey	\$230.00
L9000 30 01	30" Wooden Legs	Matte White	\$330.00
L9000 30 02	30" Wooden Legs	Espresso	\$330.00
L9000 30 15	30" Wooden Legs	Metal Grey	\$330.00

COUNTERTOP

MODEL #	Description	Color	MSRP
CT5000 7222 02	72-1/2" X 22-1/4"	White	\$990.00

BASIN (Requires Two Units for Monaco 72" Combination)

MODEL #	Description	Color	MSRP
C09 2114	Ceramic Undermount Basin	White	\$160.00

LINEN CABINET

MODEL #	Description	Color	MSRP
*V8000 15 01	15" Linen Cabinet	Matte White	\$840.00
*V8000 15 02	15" Linen Cabinet	Espresso	\$840.00
*V8000 15 15	15" Linen Cabinet	Metal Grey	\$840.00

STAINLESS STEEL LEGS (Price is for one pair of legs)

MODEL #	Description	Color	MSRP
*L9 15 SS	15" Height	Chrome	\$60.00

FAUCET (Recommend Faucets for Monaco Series)

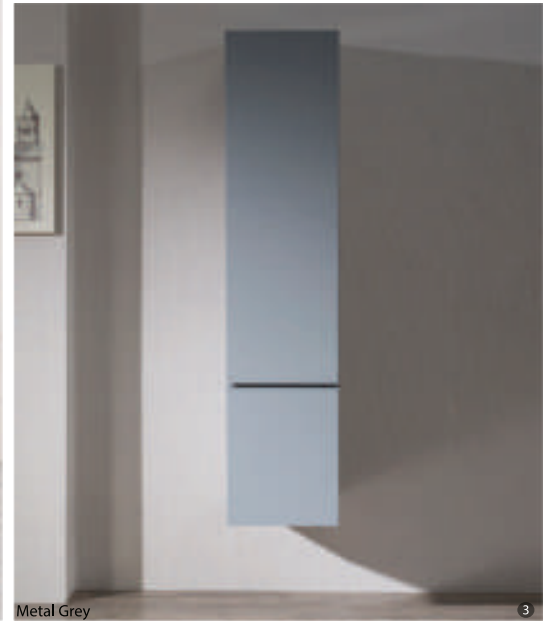
MODEL #	Description/Material	Color	MSRP
*F01 301 01	Single Hole / Brass	Chrome	\$190.00
*F01 301 02	Single Hole / Brass	Brush Nickel	\$210.00
*F01 302 01	Single Hole / Brass	Chrome	\$170.00
*F01 302 02	Single Hole / Brass	Brush Nickel	\$200.00
*F01 303 01	Single Hole / Brass	Chrome	\$175.00
*F01 303 02	Single Hole / Brass	Brush Nickel	\$215.00
*F01 304 01	Single Hole / Brass	Chrome	\$220.00
*F01 304 02	Single Hole / Brass	Brush Nickel	\$240.00

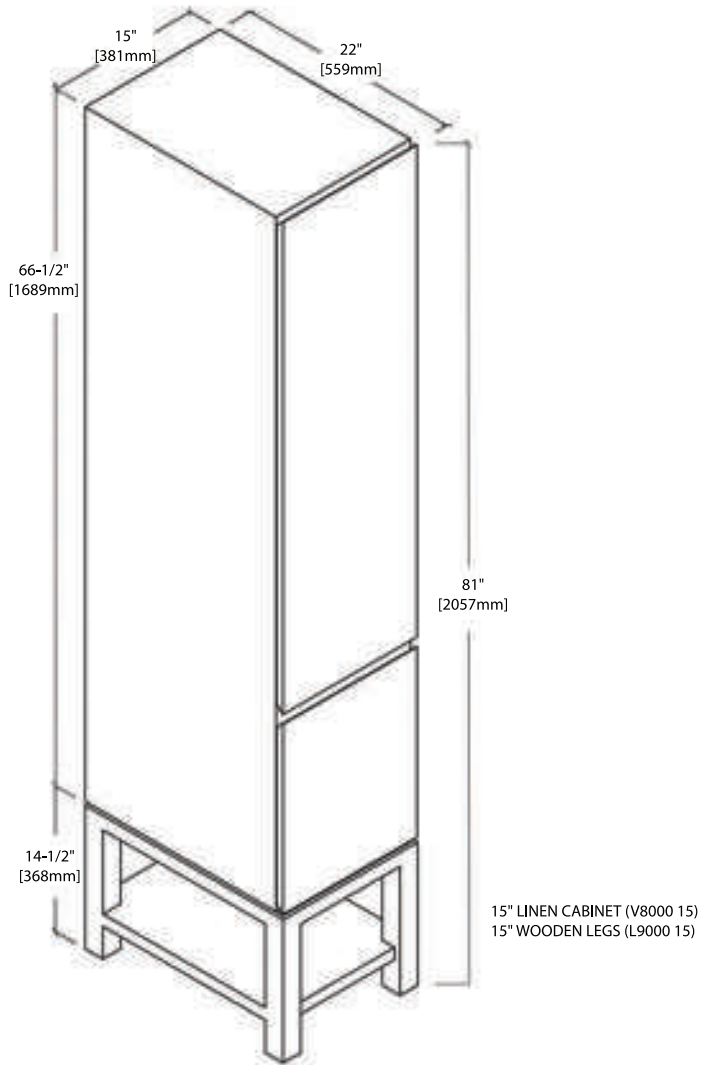
BASE FILLERS

MODEL #	Description	Color	MSRP
*V8000 BF 01	3" W x 36" H	Matte White	\$50.00
*V8000 BF 02	3" W x 36" H	Espresso	\$50.00
*V8000 BF 15	3" W x 36" H	Metal Grey	\$50.00

ACCESSORIES

MODEL #	Description	Color	MSRP
*BA02 001 01	Pop-Up Drain with Overflow	Chrome	\$40.00
*BA02 001 02	Pop-Up Drain with Overflow	Brush Nickel	\$45.00
*BA02 003 01	Round Bottle Trap	Chrome	\$50.00
*BA02 003 02	Round Bottle Trap	Brush Nickel	\$60.00
*BA02 004 01	P-Trap	Chrome	\$20.00





FEATURES

- Solid Wood
- Soft-Closing Door & Drawer
- Matching Collection

LINEN CABINET

MODEL #	Description	Color	MSRP
V8000 15 01	15" Linen Cabinet	Matte White	\$840.00
V8000 15 02	15" Linen Cabinet	Espresso	\$840.00
V8000 15 15	15" Linen Cabinet	Metal Grey	\$840.00

WOODEN LEGS

MODEL #	Description	Color	MSRP
L9000 15 01	15" Wooden Legs	Matte White	\$230.00
L9000 15 02	15" Wooden Legs	Espresso	\$230.00
L9000 15 15	15" Wooden Legs	Metal Grey	\$230.00

AVAILABLE COLORS



VANITY

MODEL #	Description	Color	MSRP
V8000 24 01	24" Vanity	Matte White	\$560.00
V8000 24 02	24" Vanity	Espresso	\$560.00
V8000 24 15	24" Vanity	Metal Grey	\$560.00
V8000 30 01	30" Vanity	Matte White	\$620.00
V8000 30 02	30" Vanity	Espresso	\$620.00
V8000 30 15	30" Vanity	Metal Grey	\$620.00

BRIDGE VANITY

MODEL #	Description	Color	MSRP
V8000 12 01	12" Bridge Vanity	Matte White	\$460.00
V8000 12 02	12" Bridge Vanity	Espresso	\$460.00
V8000 12 15	12" Bridge Vanity	Metal Grey	\$460.00

WOODEN LEGS

MODEL #	Description	Color	MSRP
L9000 15 01	15" Wooden Legs	Matte White	\$230.00
L9000 15 02	15" Wooden Legs	Espresso	\$230.00
L9000 15 15	15" Wooden Legs	Metal Grey	\$230.00
L9000 24 01	24" Wooden Legs	Matte White	\$280.00
L9000 24 02	24" Wooden Legs	Espresso	\$280.00
L9000 24 15	24" Wooden Legs	Metal Grey	\$280.00
L9000 30 01	30" Wooden Legs	Matte White	\$330.00
L9000 30 02	30" Wooden Legs	Espresso	\$330.00
L9000 30 15	30" Wooden Legs	Metal Grey	\$330.00
L9000 36 01	36" Wooden Legs	Matte White	\$380.00
L9000 36 02	36" Wooden Legs	Espresso	\$380.00
L9000 36 15	36" Wooden Legs	Metal Grey	\$380.00
L9000 42 01	42" Wooden Legs	Matte White	\$430.00
L9000 42 02	42" Wooden Legs	Espresso	\$430.00
L9000 42 15	42" Wooden Legs	Metal Grey	\$430.00
L9000 48 01	48" Wooden Legs	Matte White	\$480.00
L9000 48 02	48" Wooden Legs	Espresso	\$480.00
L9000 48 15	48" Wooden Legs	Metal Grey	\$480.00
L9000 54 01	54" Wooden Legs	Matte White	\$530.00
L9000 54 02	54" Wooden Legs	Espresso	\$530.00
L9000 54 15	54" Wooden Legs	Metal Grey	\$530.00

MEDICINE CABINET

MODEL #	Description	Color	MSRP
MC7000 24 01	24" Medicine Cabinet	Matte White	\$380.00
MC7000 24 02	24" Medicine Cabinet	Espresso	\$380.00
MC7000 24 15	24" Medicine Cabinet	Metal Grey	\$380.00
MC7000 30 01	30" Medicine Cabinet	Matte White	\$450.00
MC7000 30 02	30" Medicine Cabinet	Espresso	\$450.00
MC7000 30 15	30" Medicine Cabinet	Metal Grey	\$450.00

COUNTERTOP

MODEL #	Description	Color	MSRP
CT5000 2422 02	24-1/2" X 22-1/4"	White Quartz	\$370.00
CT5015 2422 03	24-1/2" X 22-1/4"	White Carrara Marble	\$345.00
CT5015 2422 04	24-1/2" X 22-1/4"	Mocha Woodland Quartz	\$315.00
CT5000 3022 02	30-1/2" X 22-1/4"	White Quartz	\$420.00
CT5015 3022 03	30-1/2" X 22-1/4"	White Carrara Marble	\$395.00
CT5015 3022 04	30-1/2" X 22-1/4"	Mocha Woodland Quartz	\$360.00
CT5000 3622L 02	Lt 36-1/2" X 22-1/4"	White Quartz	\$490.00
CT5000 3622R 02	Rt 36-1/2" X 22-1/4"	White Quartz	\$490.00
CT5000 4222L 02	Lt 42-1/2" X 22-1/4"	White Quartz	\$560.00
CT5000 4222R 02	Rt 42-1/2" X 22-1/4"	White Quartz	\$560.00
CT5000 4822D 02	48-1/2" X 22-1/4" (Double)	White Quartz	\$720.00
CT5000 4822S 02	48-1/2" X 22-1/4" (Single)	White Quartz	\$670.00
CT5000 5422 02	54-1/2" X 22-1/4"	White Quartz	\$750.00
CT5000 6022 02 24	60-1/2" X 22-1/4"	White Quartz	\$850.00
CT5000 6022 02 30	60-1/2" X 22-1/4"	White Quartz	\$850.00
CT5000 7222 02	72-1/2" X 22-1/4"	White Quartz	\$990.00

CERAMIC BASIN

MODEL #	Description	Color	MSRP
C09 2114	Undermount Basin	White	\$160.00

MIRROR

MODEL #	Description	Color	MSRP
M6000 24 01	24" Mirror	Matte White	\$175.00
M6000 24 02	24" Mirror	Espresso	\$175.00
M6000 24 15	24" Mirror	Metal Grey	\$175.00
M6000 30 01	30" Mirror	Matte White	\$205.00
M6000 30 02	30" Mirror	Espresso	\$205.00
M6000 30 15	30" Mirror	Metal Grey	\$205.00

WALL CABINET

MODEL #	Description	Color	MSRP
MC7000 12 01	12" Wall Cabinet	Matte White	\$270.00
MC7000 12 02	12" Wall Cabinet	Espresso	\$270.00
MC7000 12 15	12" Wall Cabinet	Metal Grey	\$270.00

LINEN CABINET

MODEL #	Description	Color	MSRP
V8000 15 01	15" Linen Cabinet	Matte White	\$840.00
V8000 15 02	15" Linen Cabinet	Espresso	\$840.00
V8000 15 15	15" Linen Cabinet	Metal Grey	\$840.00

STAINLESS STEEL LEGS (Price is for one pair of legs)

MODEL #	Description	Color	MSRP
*L9 15 SS	15" Height	Chrome	\$60.00

LEGEND
 ASTERISK (*) = OPTIONAL ITEM