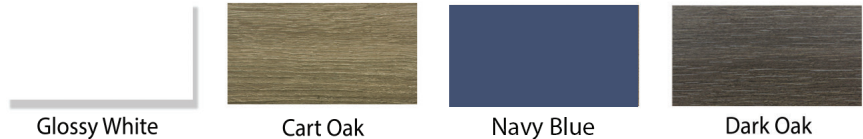


COLMAR

004 SERIES COLLECTION

AVAILABLE COLORS



Our Colmar 18 inch vanity series has been constructed for space efficiency and functionality for compact spaces, powder rooms, children bathrooms or basements. Made with different color variations in an All Wood material, this vanity provides lots of character despite its small stature. This truly defined cabinetry has surprisingly spacious storage room so do not be fooled by its size. Coupled with matching All Wood framed mirrors, this set optimizes your living space with style and efficiency. This vanity tops it off with a rectangular top-mount single hole acrylic lavatory sink, which has essentially stress-free cleaning and up-keeping.



Glossy White



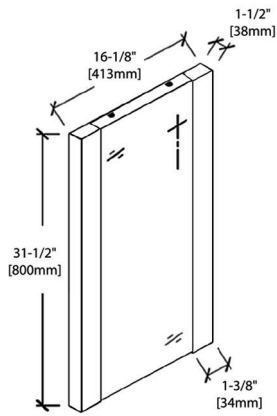
Cart Oak



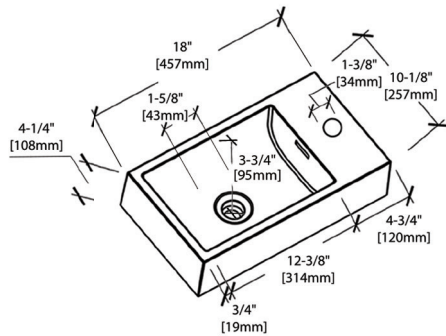
Dark Oak



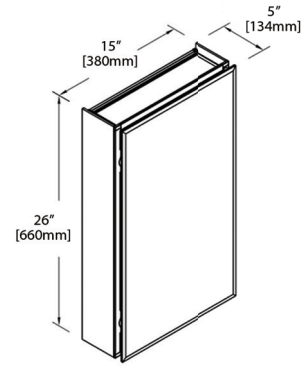
Navy Blue



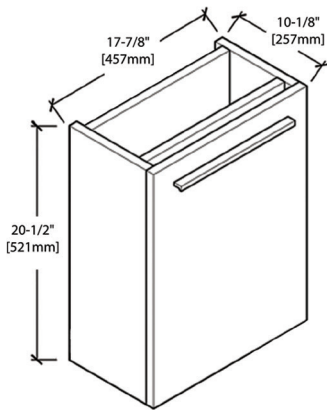
18" MIRROR
(M6004 18)



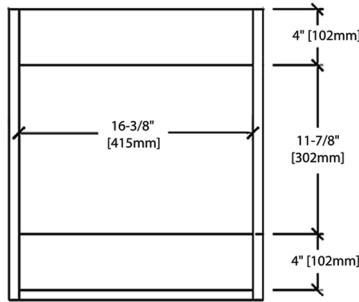
TOPMOUNT (A10 1810 04)



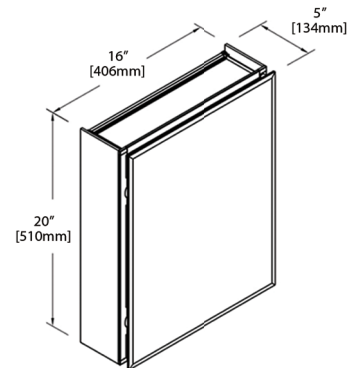
15" MEDICINE CABINET
(MC8 1526)



VANITY FRONT VIEW (V8004 18)



VANITY BACK VIEW (V8004 18)



16" MEDICINE CABINET
(MC8 1620)

Dimensions are ±1/8"

FEATURES

- Soft-Closing Door
- Matching Mirror
- Acrylic Topmount Basin
- Pop-up Drain With Overflow
- All Wood

Available Colors



Glossy White



Cart Oak



Navy Blue



Dark Oak

VANITY

| MODEL # | Description | Color | MSRP |
|-------------|-------------|--------------|-------|
| V8004 18 01 | 18" Vanity | Glossy White | \$330 |
| V8004 18 06 | 18" Vanity | Cart Oak | \$330 |
| V8004 18 07 | 18" Vanity | Dark Oak | \$330 |
| V8004 18 25 | 18" Vanity | Navy Blue | \$330 |

BASIN

| MODEL # | Description | Color | MSRP |
|-------------|------------------------|-------|-------|
| A10 1810 04 | Acrylic Topmount Basin | White | \$190 |

MIRROR & MEDICINE CABINET

| MODEL # | Description | Color | MSRP |
|-------------|----------------------|-------------------|--------|
| M6004 18 01 | 18" Mirror | Glossy White | \$ 150 |
| M6004 18 06 | 18" Mirror | Cart Oak | \$ 150 |
| M6004 18 07 | 18" Mirror | Dark Oak | \$ 150 |
| M6004 18 25 | 18" Mirror | Navy Blue | \$ 150 |
| MC8 1526 | 15" Medicine Cabinet | Anodized Aluminum | \$ 340 |
| MC8 1620 | 16" Medicine Cabinet | Anodized Aluminum | \$ 330 |