

Installation

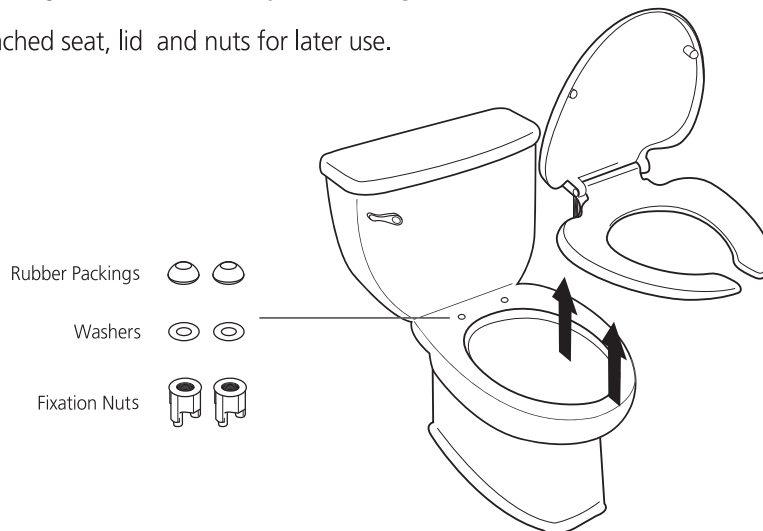


Caution before installation!

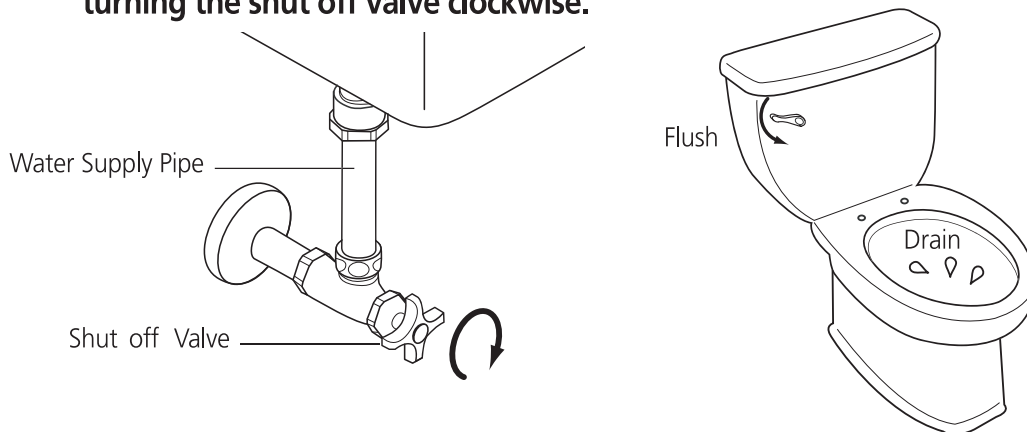
- Check whether the size and shape of the toilet seat are suitable for installation.
- Check all the accessory parts are in place.
- Do not connect the power until installation is finalized.
- Ground connection should be done by authorized service person only.

1 Remove the existing toilet seat.

- Remove the existing toilet seat and lid by unfastening fixation nuts underneath.
- Keep the detached seat, lid and nuts for later use.



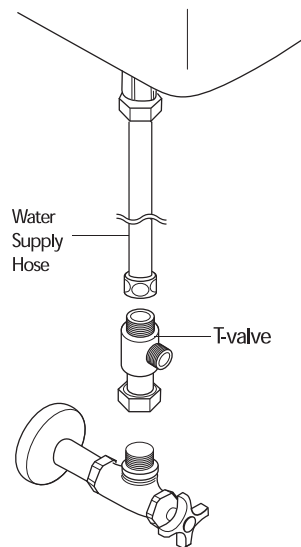
2 Drain toilet water tank completely after turning off the water supply by turning the shut off valve clockwise.



Installation

- 3** Detach the water supply hose on the part of the toilet water tank, then install the T-valve.

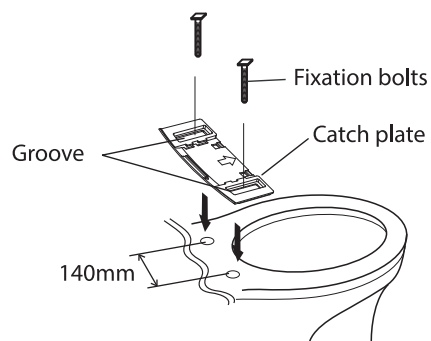
In case of a rigid pipe, T-valve cannot be installed.
Needs to purchase and install the separate flexible hose(for water tank).



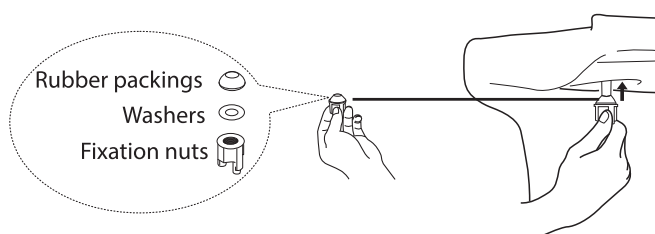
- 4** Place the groove of the catch plate on the fixation holes of the toilet.

• Possible to install for 140mm hole distance only.

- 5** Insert the fixation bolts into the holes of the toilet.

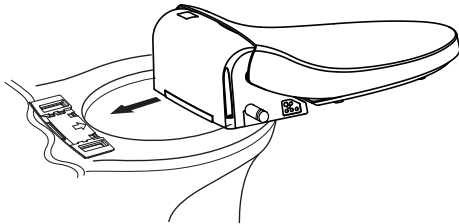


- 6** Fix the catch plate tightly by fastening the Fixation bolts with Rubber packings, Washers, Fixation nuts.

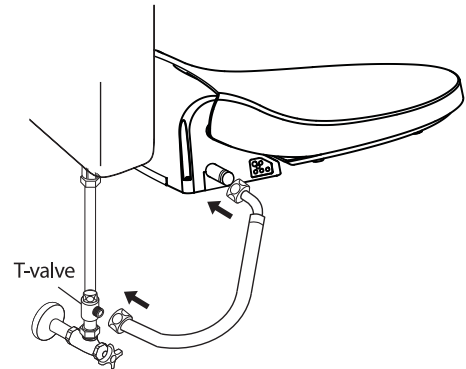


Installation

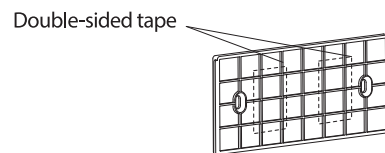
- 7** Slide the unit to the catch plate installed according to grooves underneath the unit.



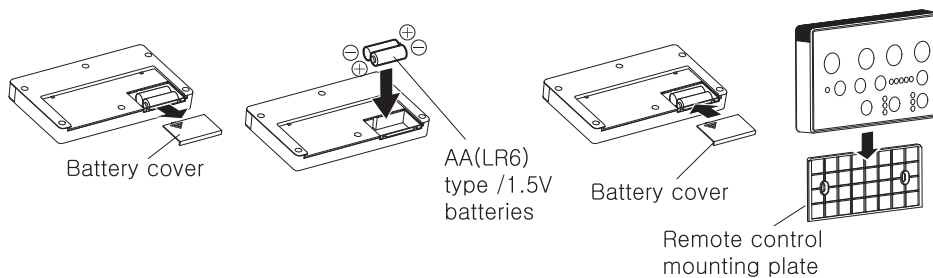
- 8** Connect the flexible hose to the T-valve and the unit.



- 9** Attach the remote control on the wall with double stick tape.

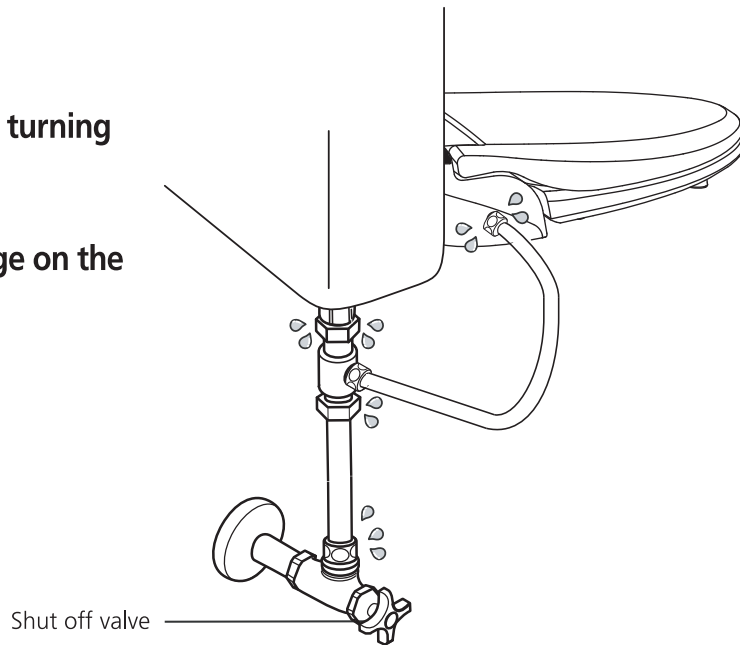


- 10** Insert batteries as illustration below and put the remote control into the remote control holder.



Trial Operation

- 1 Open the shut off valve by turning counterclockwise.
- 2 Check for any water leakage on the connection hoses.



- 3 Connect the power plug.

- If the power indication light is not turned on after the power plug connection, press any button except "HI", "LO", "FR", "BK" buttons of the remote control, then power goes ON.

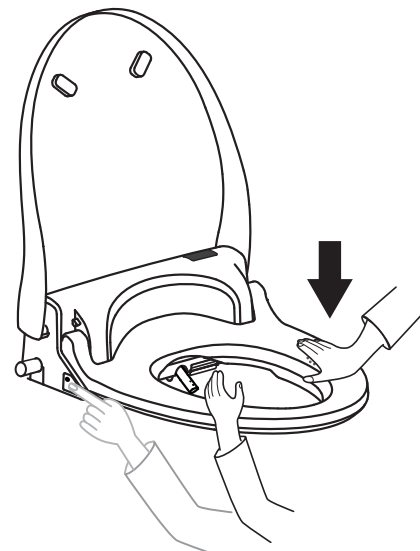
★ **WARNING**

Do not turn over or move the unit after power connection.
It may cause electric shock.

- 4 Press the "CLEANSING" or "BIDET" button on the unit so that the water tank can be filled up with water.
One long beep will sound when the water tank is filled up.

- 5 To test the water spray operation, press either "CLEANSING" or "BIDET" button putting a hand on the seat sensor.

*Cover the nozzle with a hand for water not to spatter out.

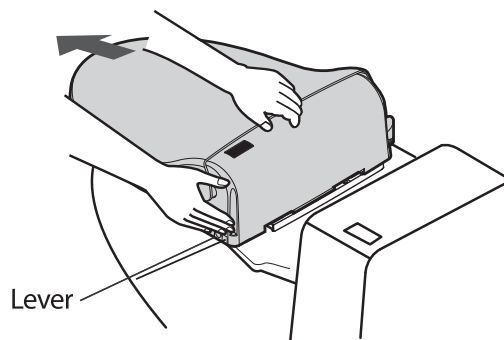


Detachment and Service Request

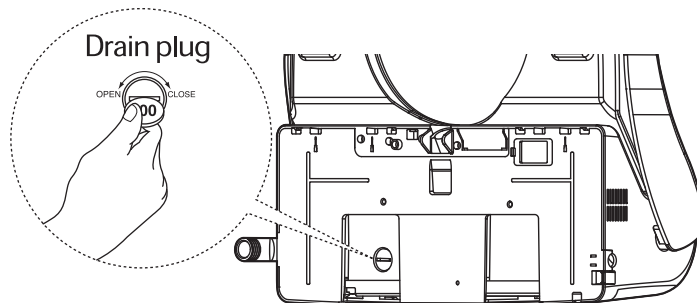
Follow the below instructions if in need to detach the unit for to move.

- 1 Disconnect the power plug.
- 2 Close the water supply by turning the shut off valve clockwise and drain the toilet water tank completely.
- 3 Disconnect the flexible hose from the unit and unfix the unit from the toilet. And unfix the catch plate from the toilet.

To detach the unit, pull forward at a state of lifting up the front part of the unit as shown on the illustration.



- 4 Unfasten the drain plug underneath the unit and drain the water completely in the water tank.



- 5 Disconnect the flexible hose and T-valve.
- 6 Connect the water-supply hose to the shut off valve.
- 7 Open the shut off valve by turning counterclockwise and check any leakages on the connections.
- 8 Reinstall the original seat and lid to the toilet.