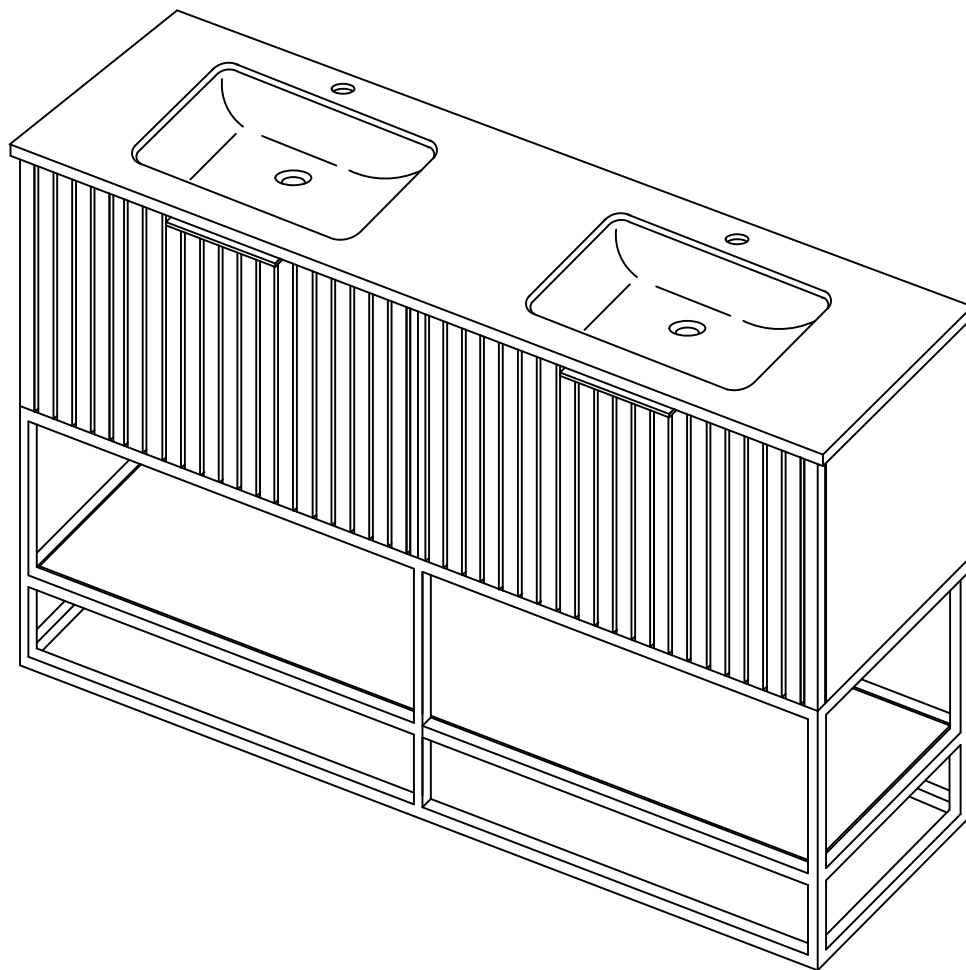


TERRA ASSEMBLY INSTRUCTIONS



B E M M A

Designer Vanities & Accessories

BEFORE

You Begin

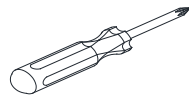
1. Tools and materials needed:



Marker



Drill



Phillips
Screwdriver



Tape
Measure

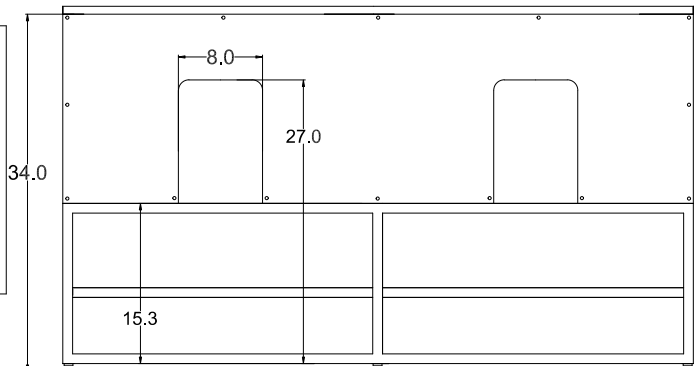
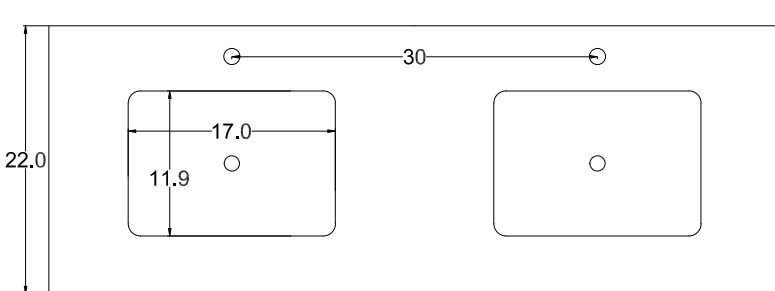


Stud
Finder



Level

2. Product dimensions:



3. Damaged product: DO NOT USE if product and/or components are broken

4. For installation of faucet and plumbing, we recommend the use of a licensed plumber. Ensure all building & plumbing codes are respected

5. Assembly should be done with two adults



STEP 1

Secure Vanity to Wall

1. Place the vanity in the desired location
2. Using the stud finder and marker, locate and mark the studs behind the wall

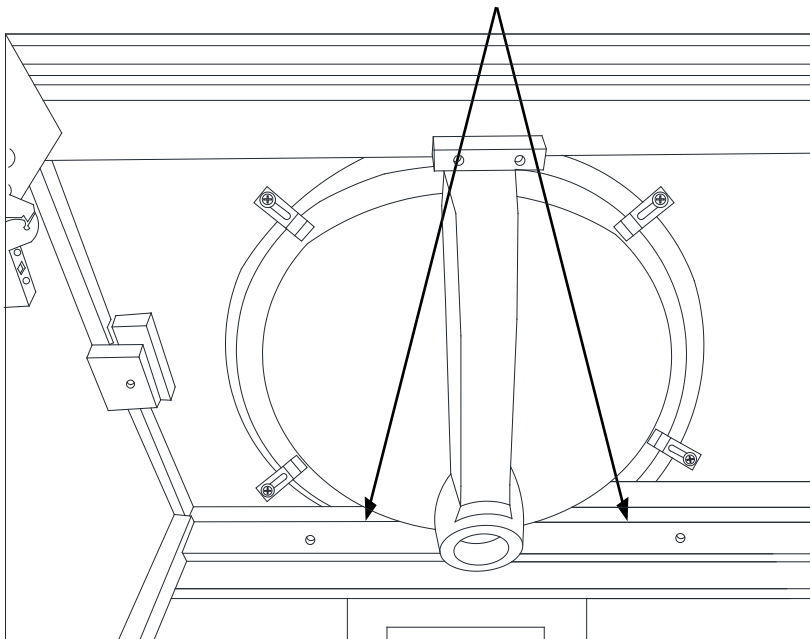
Important: if the studs do not line up for your vanity, wood blocking can be installed between studs

3. Ensure the vanity is level. Adjust floor levelers at bottom of foot

Note: adjustments are sometimes needed due to uneven flooring

4. Secure the vanity to the wall using wood screws (not provided)

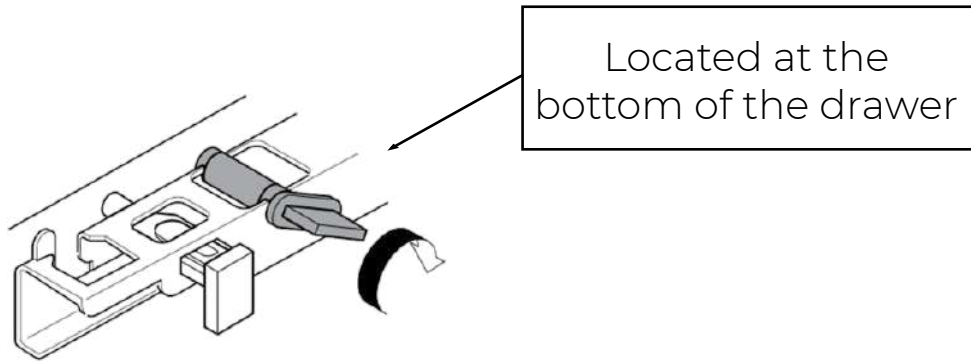
Locate wall studs and use this rail to secure vanity to the wall



STEP 2

Adjust the Glides (if required)

1. If vanity drawers are misaligned, adjust glides



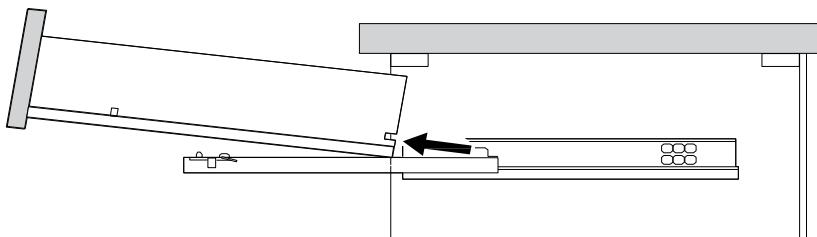
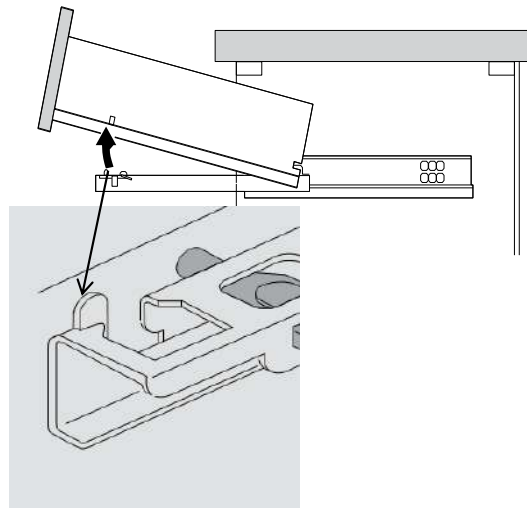
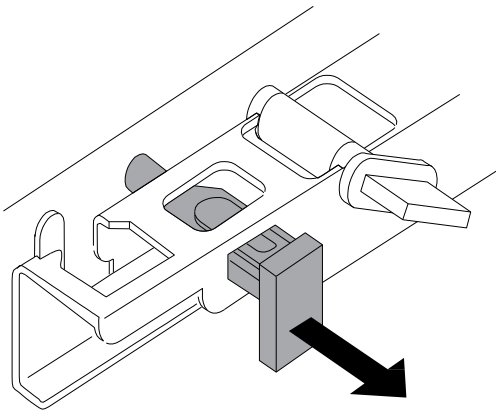
Height adjustment



STEP 3

Removing Drawer (if required)

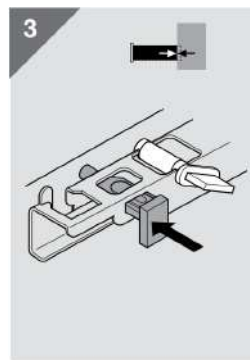
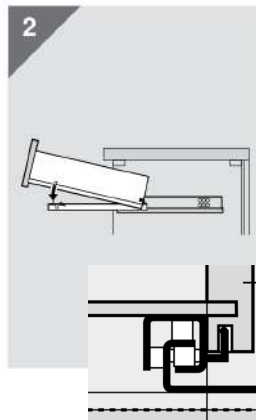
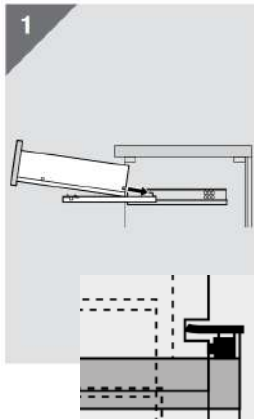
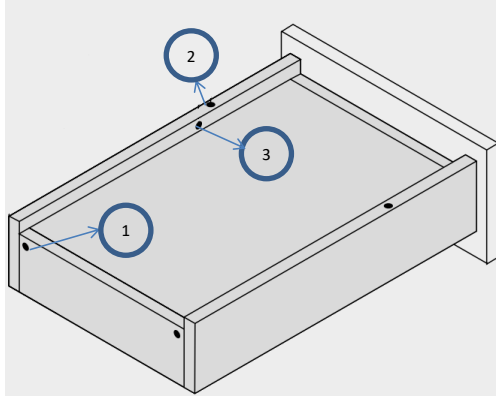
1. Pull out the slide lock which is located at the bottom of the drawer
2. Lift drawer box up from the peg
3. Pull the drawer box out of the back hook and gently lift out



STEP 4

Inserting Drawer (if required)

1. Pull drawer glides all the way out
2. Locate the 3 holes on the drawer box
3. Insert the drawer box into the back hook
4. Gently place drawer box onto the peg
5. Push in the bottom of the lock which is located at the bottom of the drawer
6. Adjust the glides as seen in step 3 (if needed)





TERRA

Product Details

CARE AND CLEANING

For stone tops such as marble and granite, it is recommended that you apply a high-quality sealer to protect from staining and discoloration. Stone sealer should be reapplied once or twice per year, depending on usage.

After each use, simply wipe with a soft cloth to remove any surface dirt.

For standard cleaning, we recommend using warm water with vinegar.

DO NOT USE abrasive products or cream cleansers.

NEVER USE petroleum-based products when cleaning, i.e. paint thinners or other solvents, as they may damage the wood

THANK YOU FOR YOUR BEMMA PURCHASE

