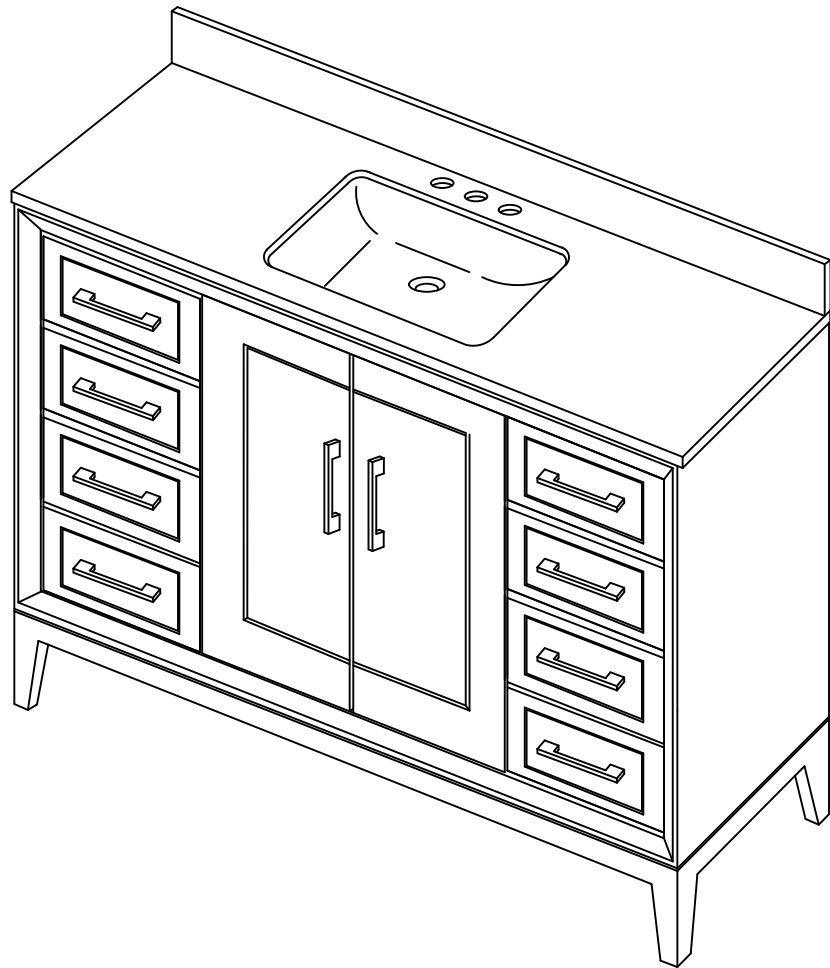


# GRACIE ASSEMBLY INSTRUCTIONS

---



**B E M M A**

Designer Vanities & Accessories

# BEFORE

## You Begin

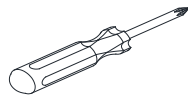
### 1. Tools and materials needed:



Marker



Drill



Phillips  
Screwdriver



Tape  
Measure

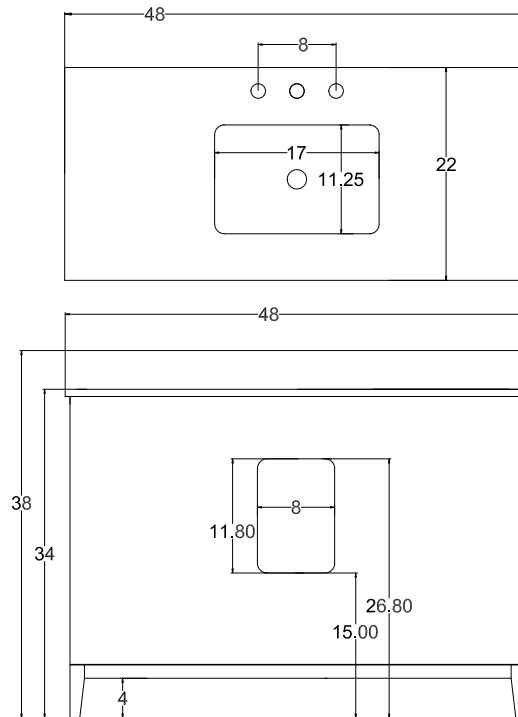


Stud  
Finder



Level

### 2. Product dimensions:



3. Damaged product: DO NOT USE if product and/or components are broken

4. For installation of faucet and plumbing, we recommend the use of a licensed plumber. Ensure all building & plumbing codes are respected

5. Assembly should be done with two adults



# STEP 1

## Secure Vanity to Wall

1. Place the vanity in the desired location
2. Using the stud finder and marker, locate and mark the studs behind the wall

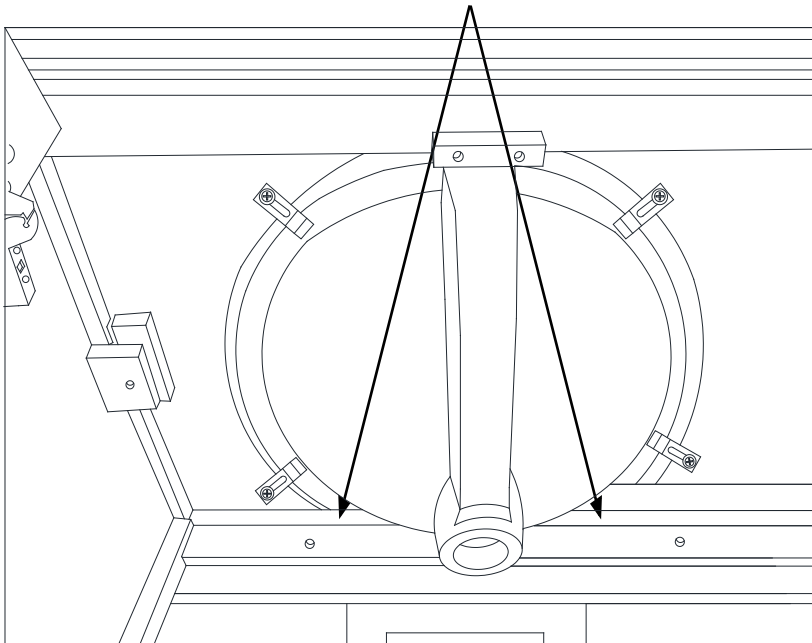
Important: if the studs do not line up for your vanity, wood blocking can be installed between studs

3. Ensure the vanity is level. Adjust floor levelers at bottom of foot

Note: adjustments are sometimes needed due to uneven flooring

4. Secure the vanity to the wall using wood screws (not provided)

Locate wall studs and  
use this rail to secure  
vanity to the wall



# STEP 2

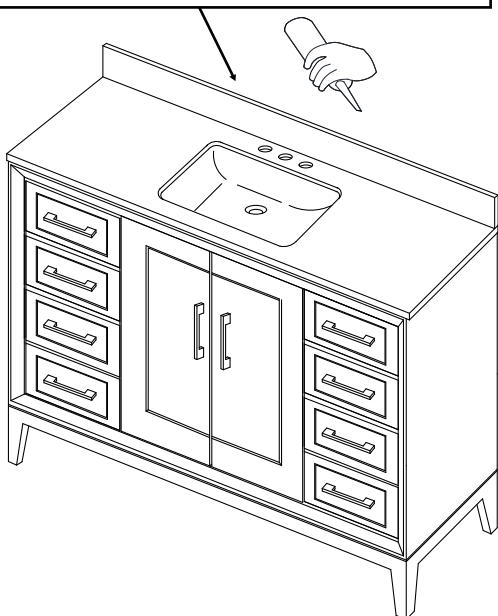
## Install the Backsplash (if desired)

1. Ensure vanity is in its location and all plumbing is in place
2. Apply a bead of silicone to the back and bottom edge of the backsplash and secure it to the vanity

Important: Backsplash is very fragile, assembly should be done with two people

3. Fill in any gaps with silicone sealant
4. Wipe away any excess silicone immediately
5. Allow silicone sealant to fully dry for 24 hours

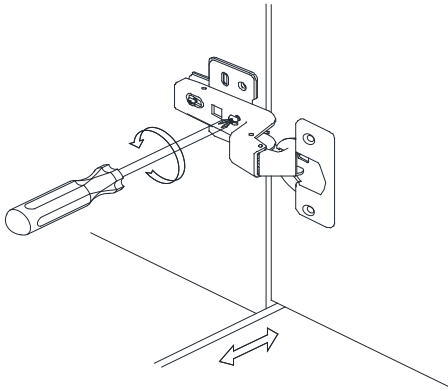
Ensure to apply the silicone to the rough edge, and that the smooth face is facing the front



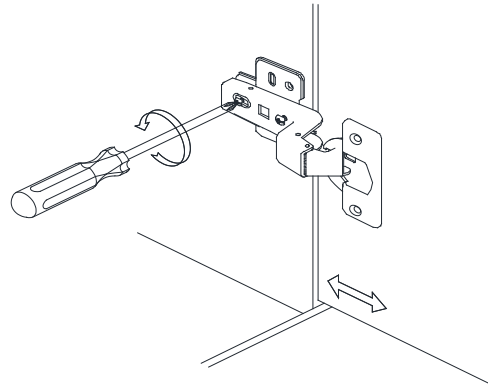
# STEP 3

## Adjust the Hinges & Glides (if required)

1. If vanity doors are misaligned, adjust hinges

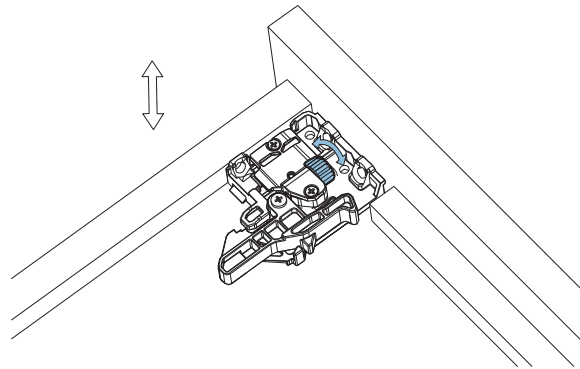


Side adjustment



Depth adjustment

2. If vanity drawers are misaligned, adjust glides



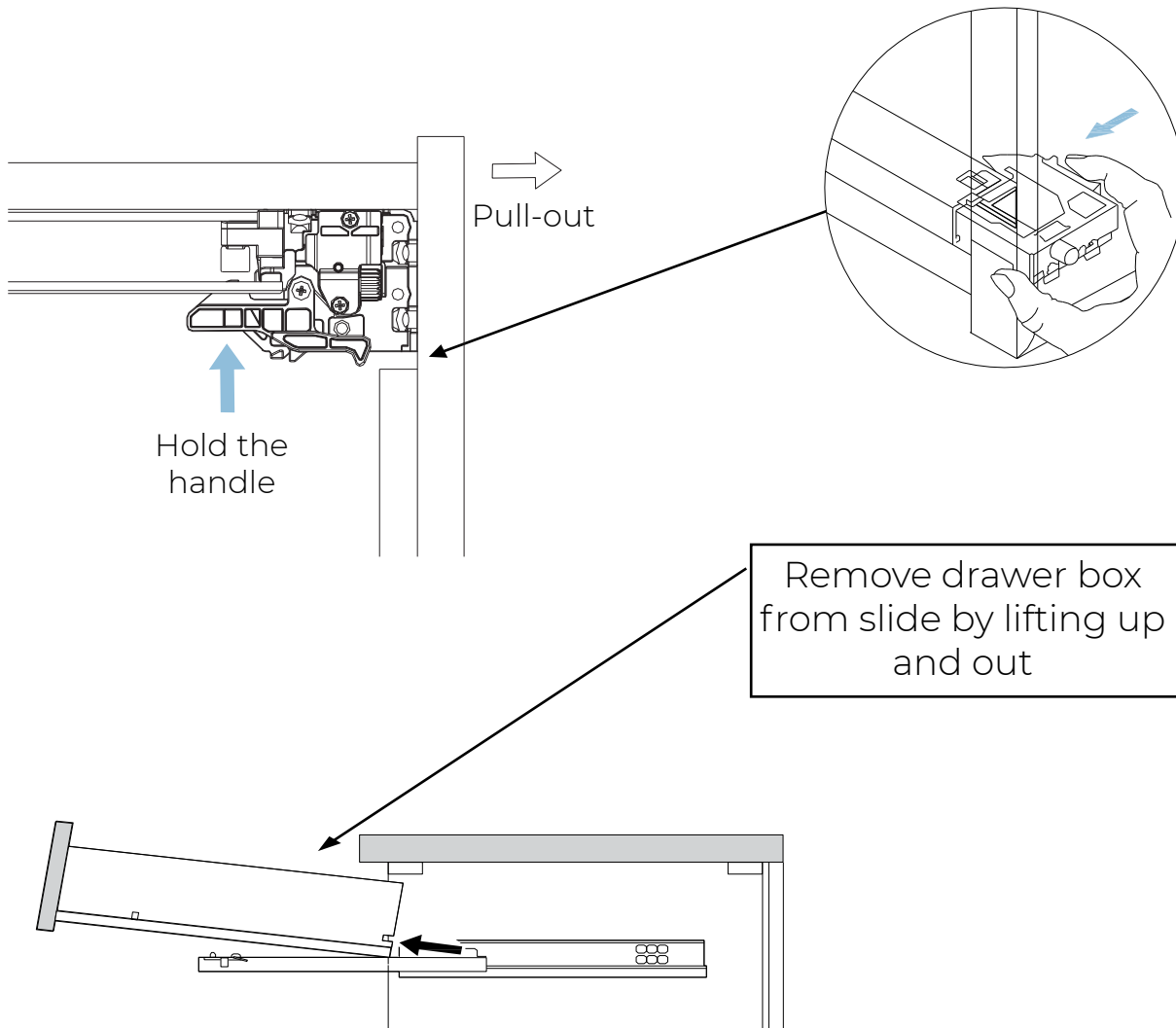
Height adjustment



# STEP 4

## Removing Drawer (if required)

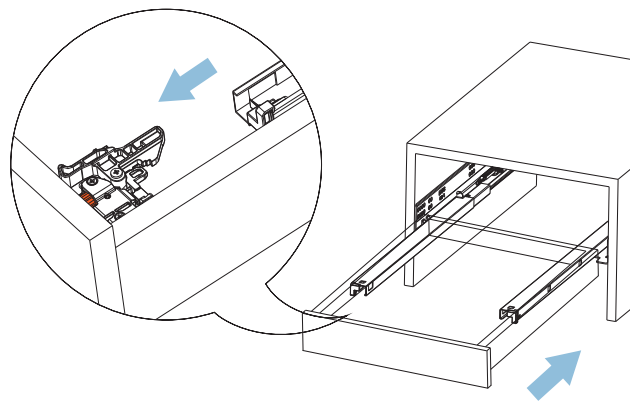
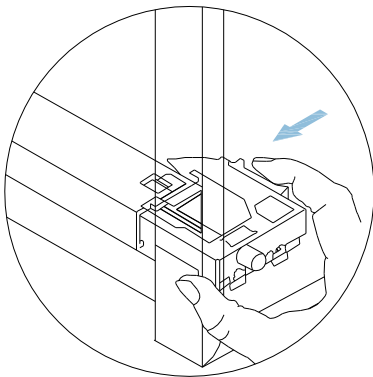
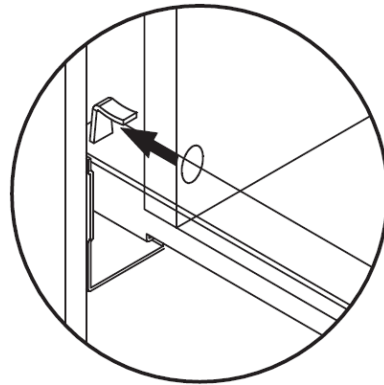
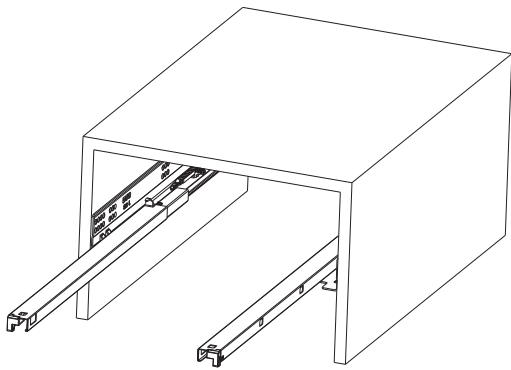
1. Locate the slide lock placed at the bottom of the drawer
2. Hold the lock handle while pulling outwards carefully
3. Remove drawer box from slide by lifting up and out



# STEP 5

## Inserting Drawer (if required)

1. Pull drawer slides all the way out
2. Locate the hole at the back of the drawer box
3. Insert the hole into the peg located at the back of the slide and slowly place the drawer box onto the extended slides
4. Hold the lock handle while pushing inwards to lock in place
5. Ensure the drawer guide is fitted well into the lock
6. Adjust the slides as seen in step 3 (if needed)





# GRACIE

## Product Details

### CARE AND CLEANING

For stone tops such as marble and granite, it is recommended that you apply a high-quality sealer to protect from staining and discoloration. Stone sealer should be reapplied once or twice per year, depending on usage.

After each use, simply wipe with a soft cloth to remove any surface dirt.

For standard cleaning, we recommend using warm water with vinegar.

DO NOT USE abrasive products or cream cleansers.

NEVER USE petroleum-based products when cleaning, i.e. paint thinners or other solvents, as they may damage the wood

THANK YOU FOR YOUR BEMMA PURCHASE

