

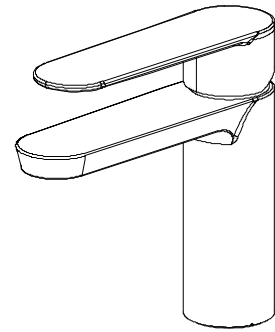


Installation Instructions

Yasawa

BA-430-01

Single Handle Bathroom Faucet

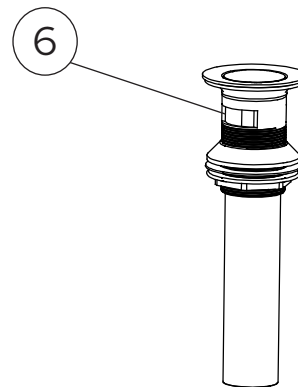
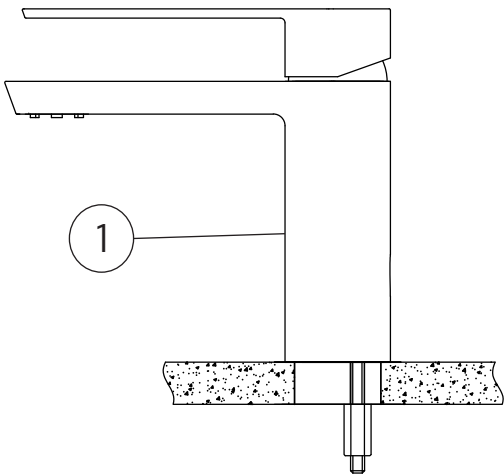
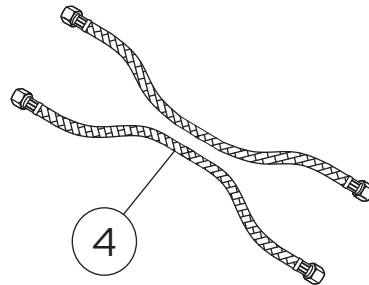
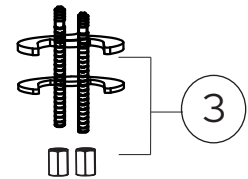


Thank you for selecting Lulani.

To ensure that your installation proceeds smoothly, please read these instructions carefully before you begin.

Parts Included

1. Faucet
2. Above sink hardware: rubber O-ring
3. Below sink hardware: rubber washer, metal washer, screws, lock nut
4. Water supply lines
5. Baseplate
6. Over-flow pop-up drain



⚠ Note: This faucet has been packaged with an over-flow pop-up drain. **DO NOT** use with a non-over-flow sink.

Recommended Tools (not included)

- | | |
|-------------------------|--------------------|
| 1. Adjustable Wrench | 6. Measuring Tape |
| 2. Phillips Screwdriver | 7. Plumber's Putty |
| 3. Safety Goggles | 8. Channel Locks |
| 4. Flashlight | 9. Allen Key |
| 5. Bucket | |



Caution: Tips for removal of old faucet

Always turn off the water supply before removing the existing faucet or replacing any part of the faucet. Open the faucet handle to relieve water pressure and ensure that water is completely shut off.

Maintenance

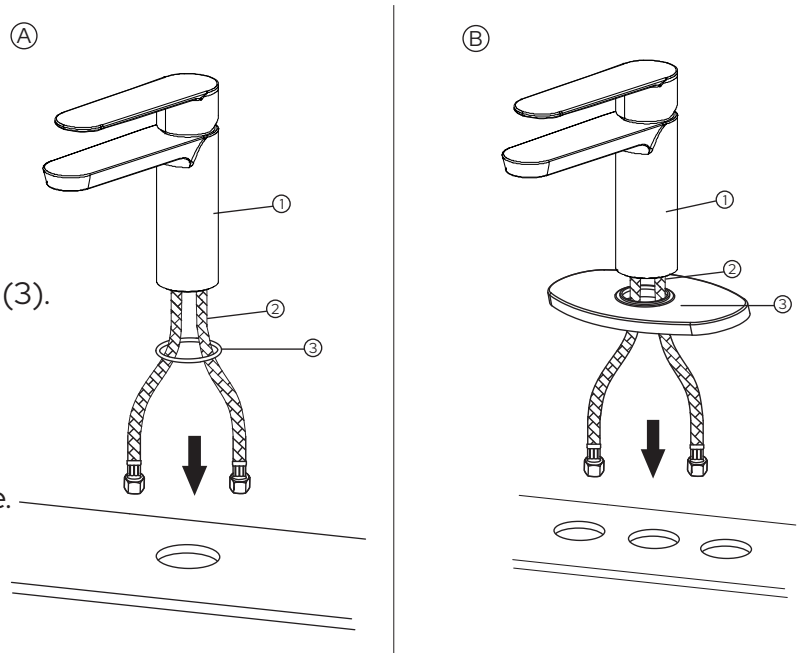
Your new faucet is designed for years of trouble-free performance. Keep it looking new by cleaning it periodically with a soft cloth. Avoid abrasive cleaners, steel wool, and harsh chemicals as these will dull the finish and void your warranty.

Step 1

Single hole bathroom faucets can be installed in a sink with a single hole OR a sink with 3 holes, typically meant for a 4" centerset faucet.

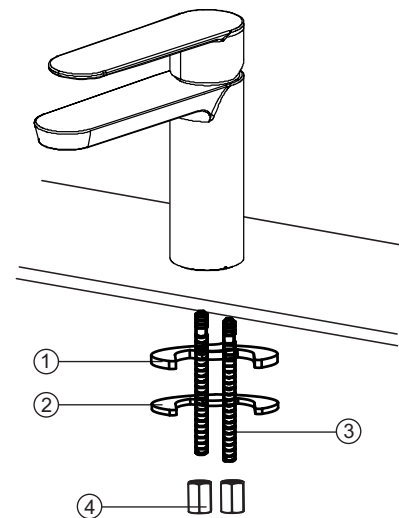
A. For 1-hole installation, insert the faucet's (1) water supply hoses (2) through the rubber o-ring (3). Then, insert the assembly through the hole.

B. For 3-hole installation, insert the faucet's (1) water supply hoses (2) through the baseplate (3). Then, insert the assembly through the center hole. The baseplate will cover the surrounding holes.



Step 2

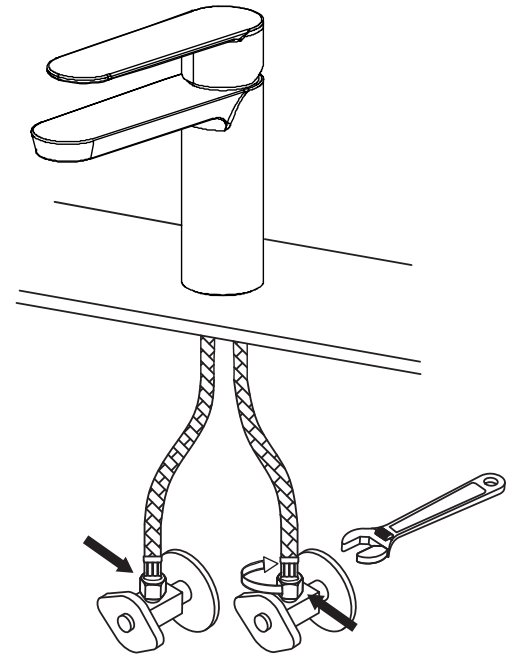
Secure the faucet with the rubber washer (1), metal washer (2), screw (3), and lock nut (4). Use an adjustable wrench to tighten. Do not over tighten!



Step 3

Connect the water supply lines to the water valves. Tighten each end with an adjustable wrench. **Do not over tighten!**

Check all connections (shown with arrows in the image) for leaks. Re-tighten if necessary.

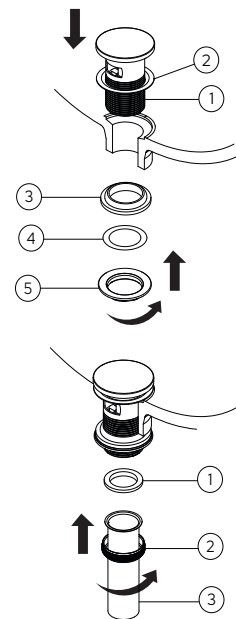


Step 4

From the top of the drain hole, place the rubber gasket (2) on to the drain (1). Then insert through the installation hole. From under the drain hole, the rubber gasket (3), plastic washer (4), and metal nut (5) will be installed.

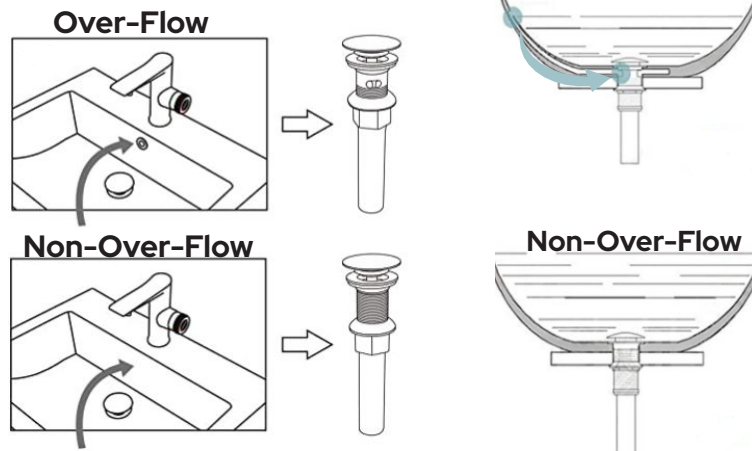
Install the non-threaded side in to the wall plumbing. Then, bring the tail pipe up to connect to the drain. Slide the rubber gasket (1) and metal gasket (2) over the threads of the drain body (3) and hand tighten. Do not over tighten.

*Note: Lulani faucets are packaged with over-flow drains by default. If you have a specialty sink and need a NON-over-flow drain, please contact us for details.



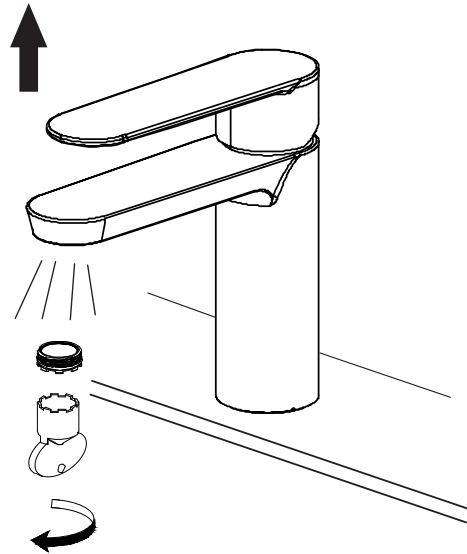
What's an over-flow pop-up drain?

The primary purpose of the over-flow drain is to help your sink drain faster. The over-flow on the drain works in coordination with the primary drain to prevent flooding.



Step 5

Remove the aerator with an aerator wrench (a quarter or flat surface tool could also work). Turn the faucet handle all the way on, turn on the hot and cold water supply and flush water lines for one minute. Reinstall the aerator with an aerator wrench.



About our products

With clean, simple lines, the Yasawa Single Handle Bathroom Faucet is as stunning as the namesake islands from which it was inspired. Built from the highest quality Stainless Steel and featuring a Neoperl aerator, Kerox ceramic cartridge and a Limited Lifetime Warranty, this sleek faucet will turn any bathroom into a personal paradise.

BOLD, MODERN DESIGNS

Inspired by the world's most exotic locations, every Lulani product is designed to leave a lasting impression. After the initial sketch, our talented team of product engineers complete an extensive R&D process ensuring each piece performs beautifully.

ONLY THE HIGHEST QUALITY OF MATERIALS

We settle for nothing short of perfection. That's why we source only the finest raw materials, components, and finishes. No shortcuts. Only the best for you and your family.

BEAUTY THAT LASTS A LIFETIME

Our quality control experts meticulously test and retest each and every one of our products to ensure they exceed even the highest standards for health, safety and durability. From corrosion, pressure and decay resistance to flow rate and ease of assembly, all of our craftsmanship is backed by an industry-leading Lifetime Limited Warranty.



Congratulations! You've successfully finished installing your new faucet. For troubleshooting questions or concerns, please reference the Owner's Manual

We value your opinion! Don't forget to leave us a review.