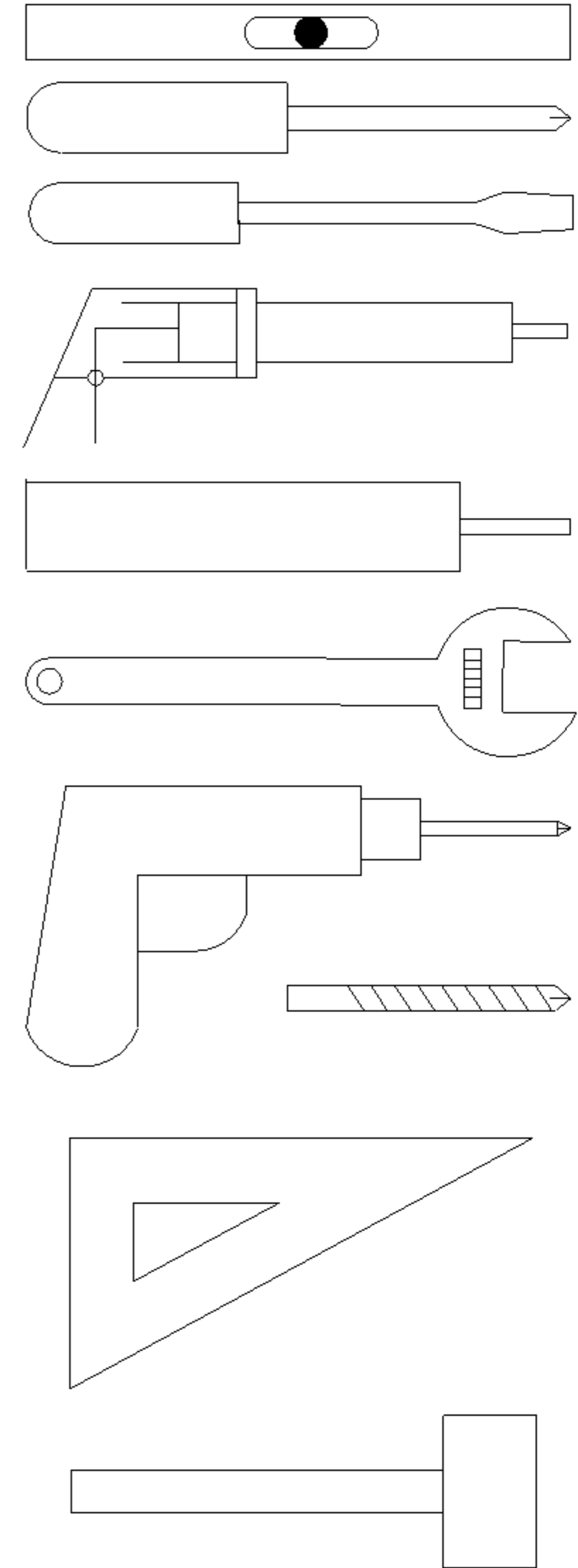
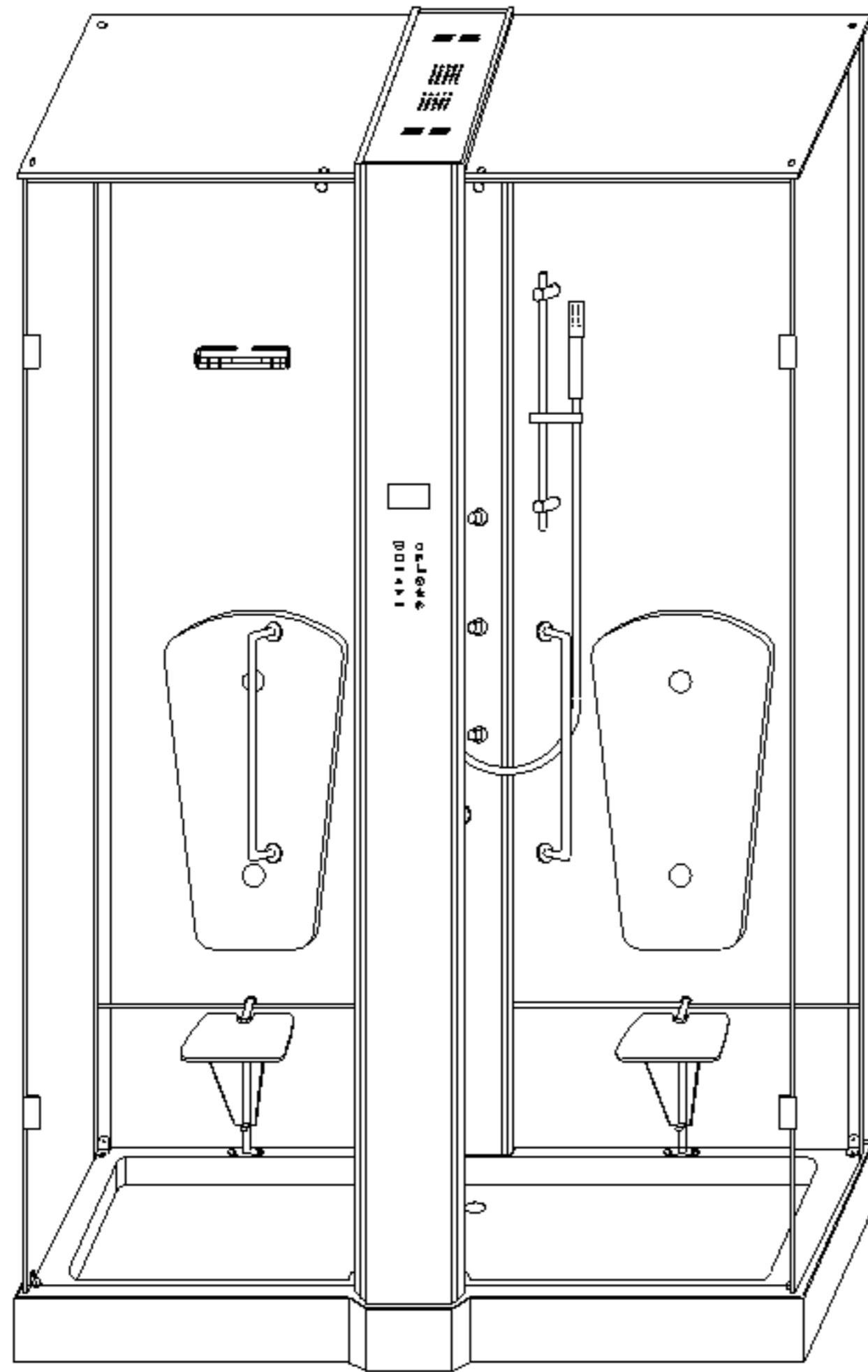
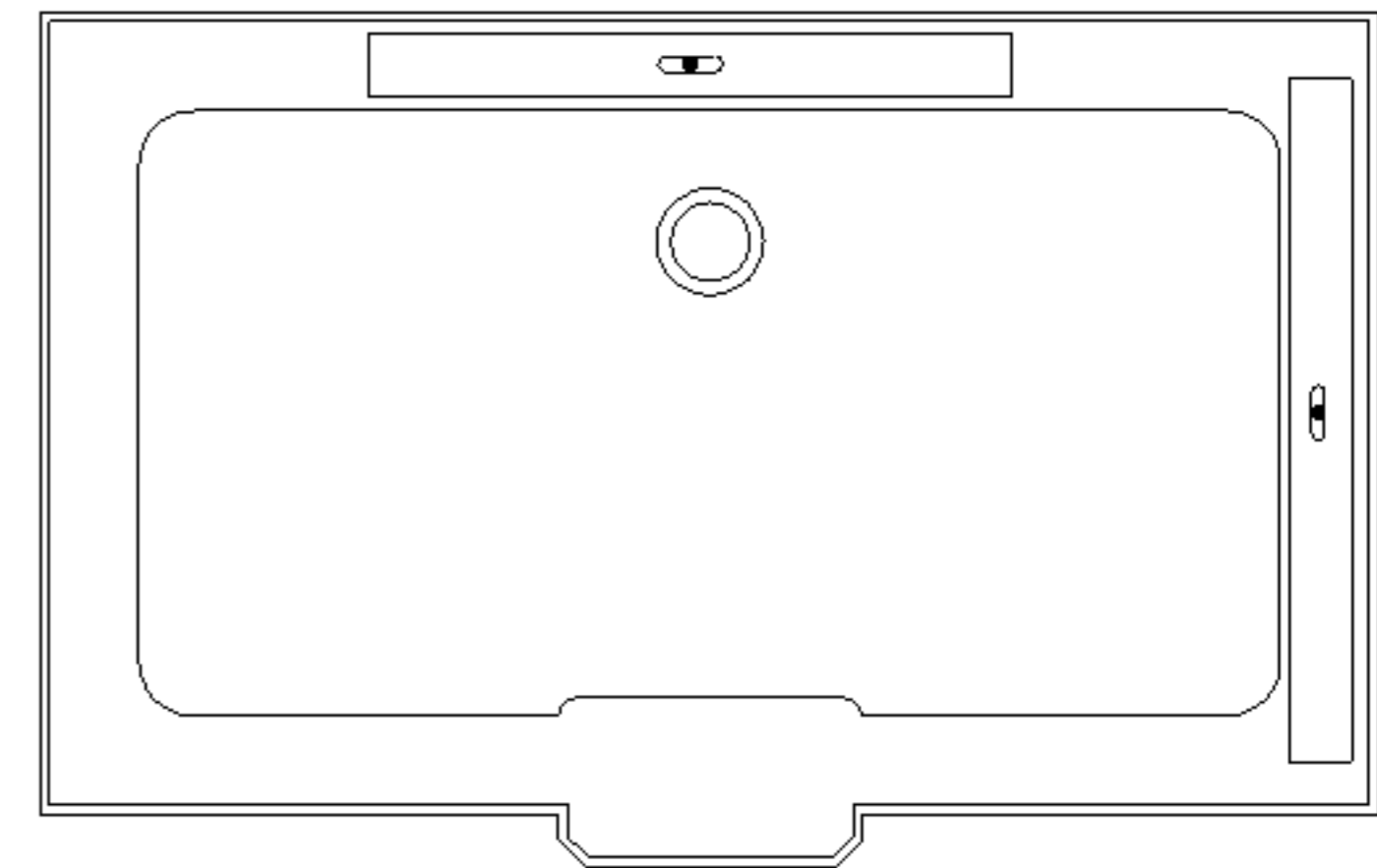
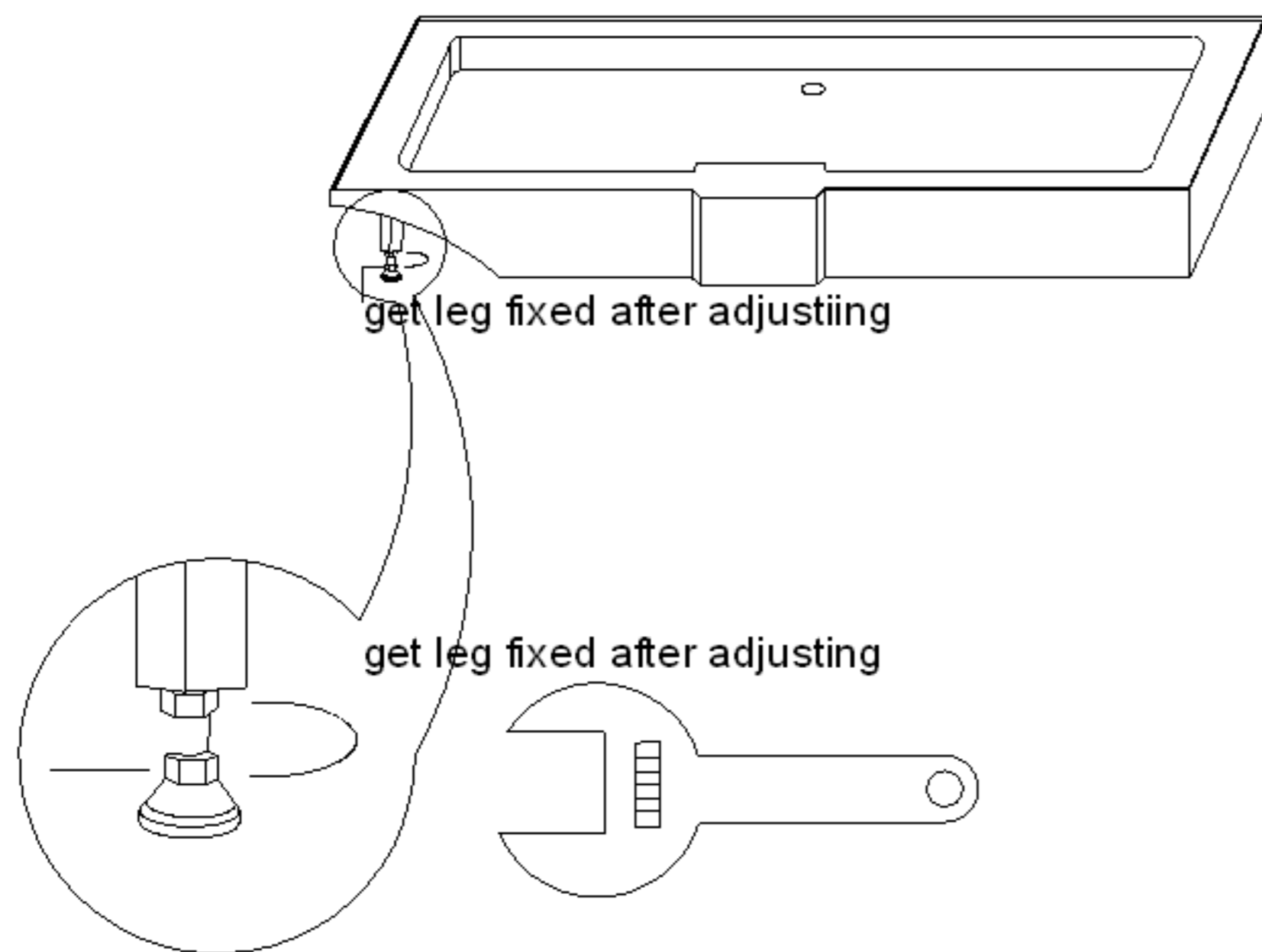


Installation Instruction

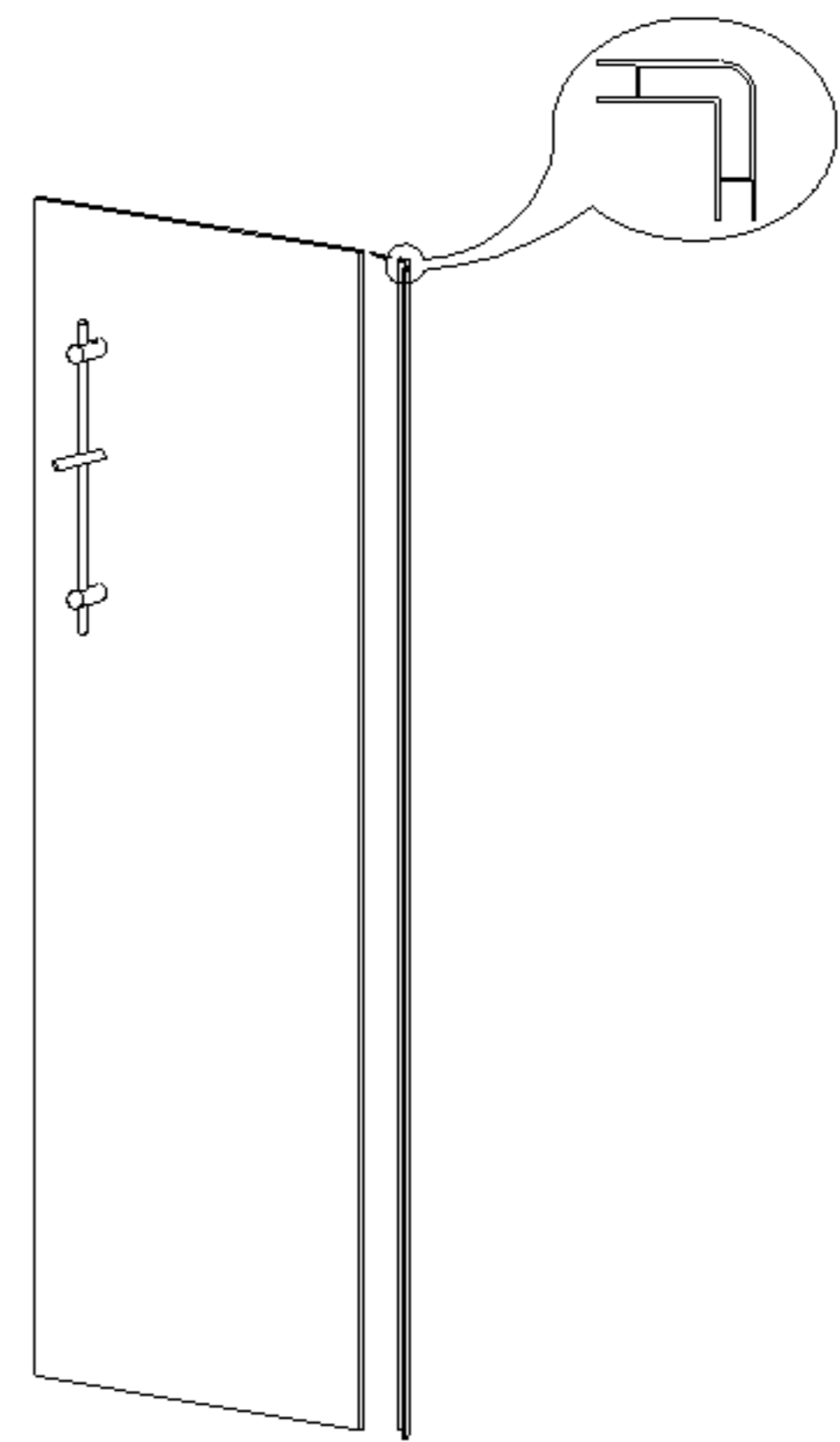
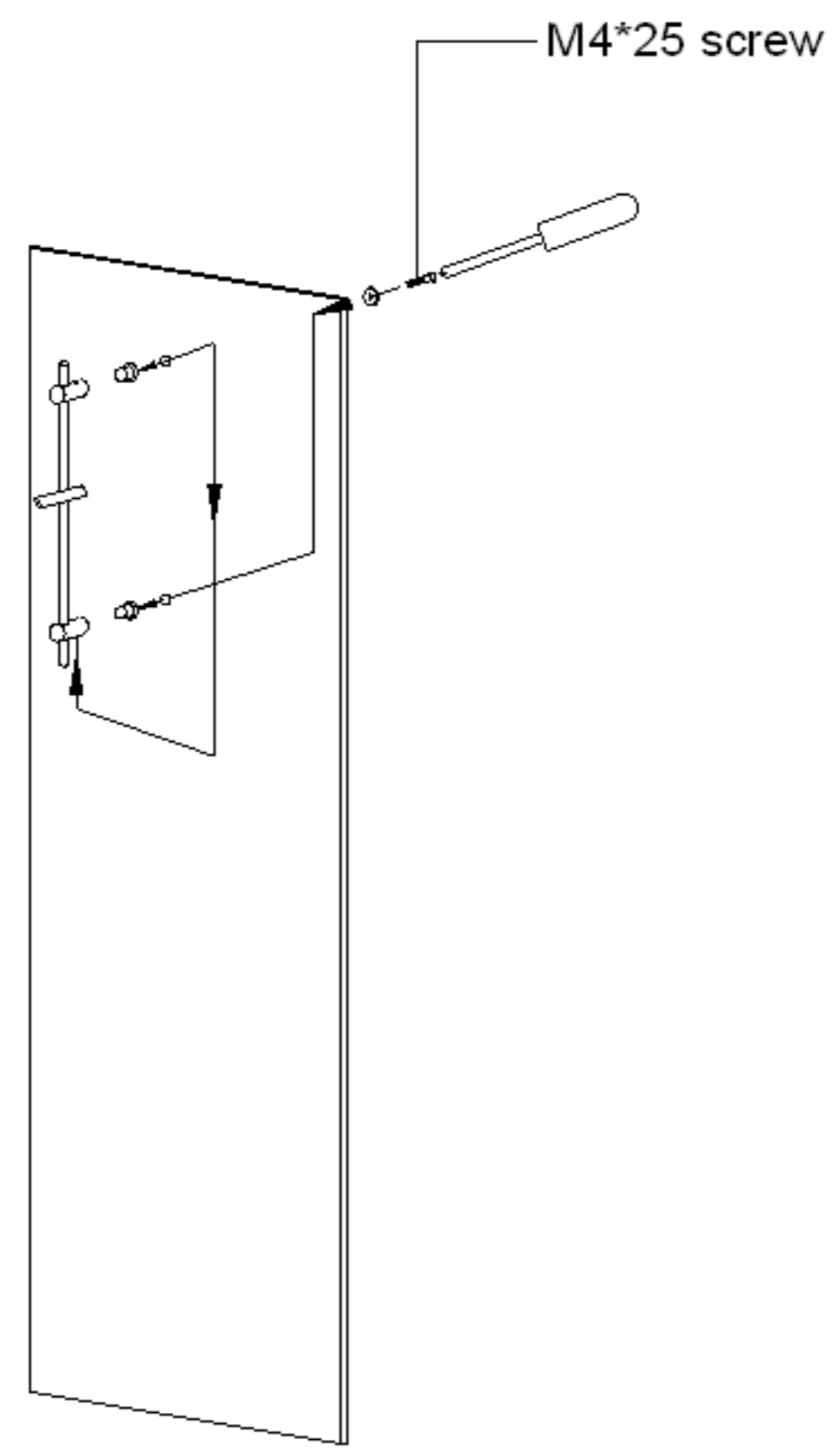
WS123 WR123



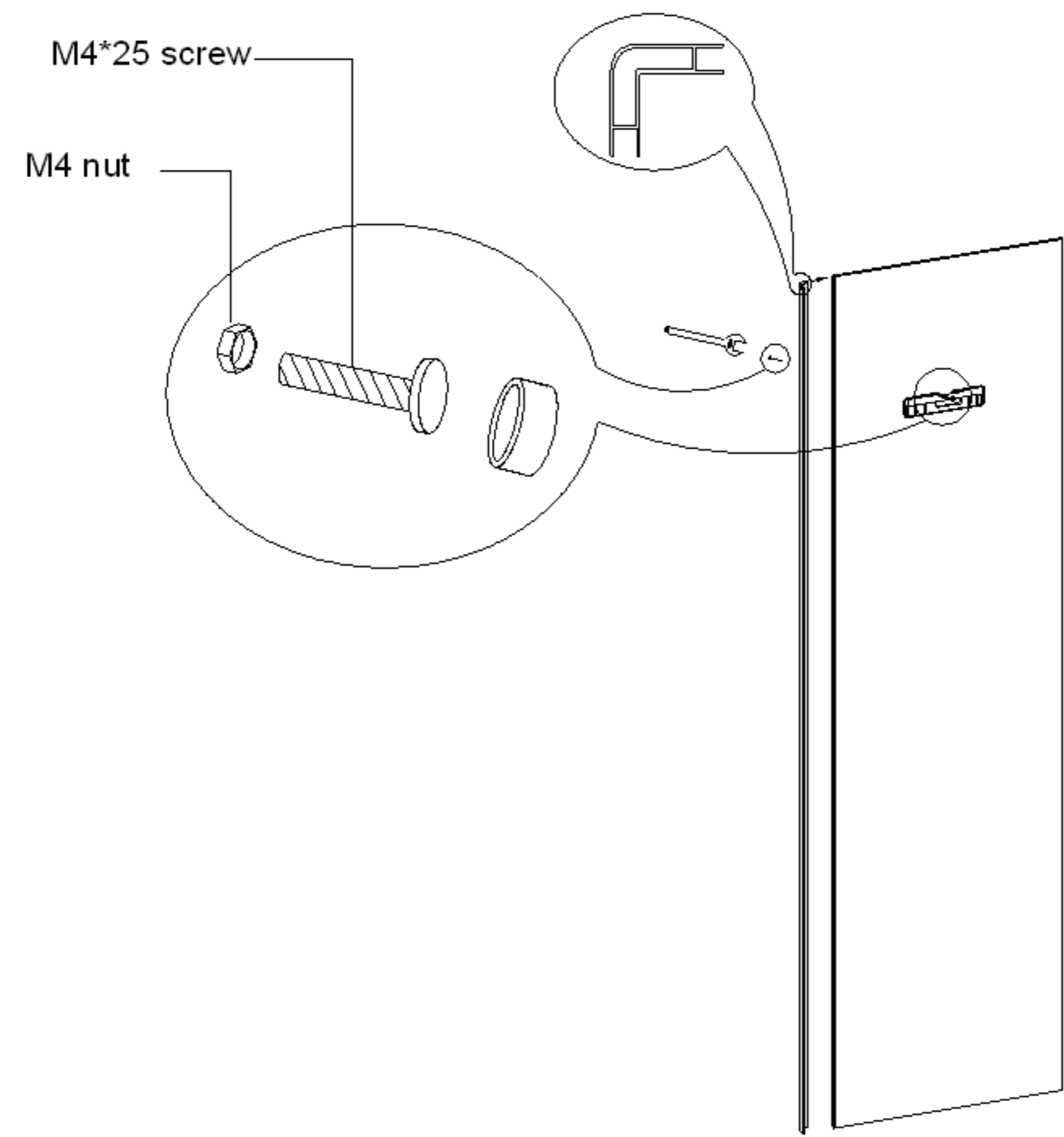
1. Tools used: gradienter, screwdriver, silicone gun, silicone, spanner, electric drill, 9 aiguille, triangle ruler, hammer.



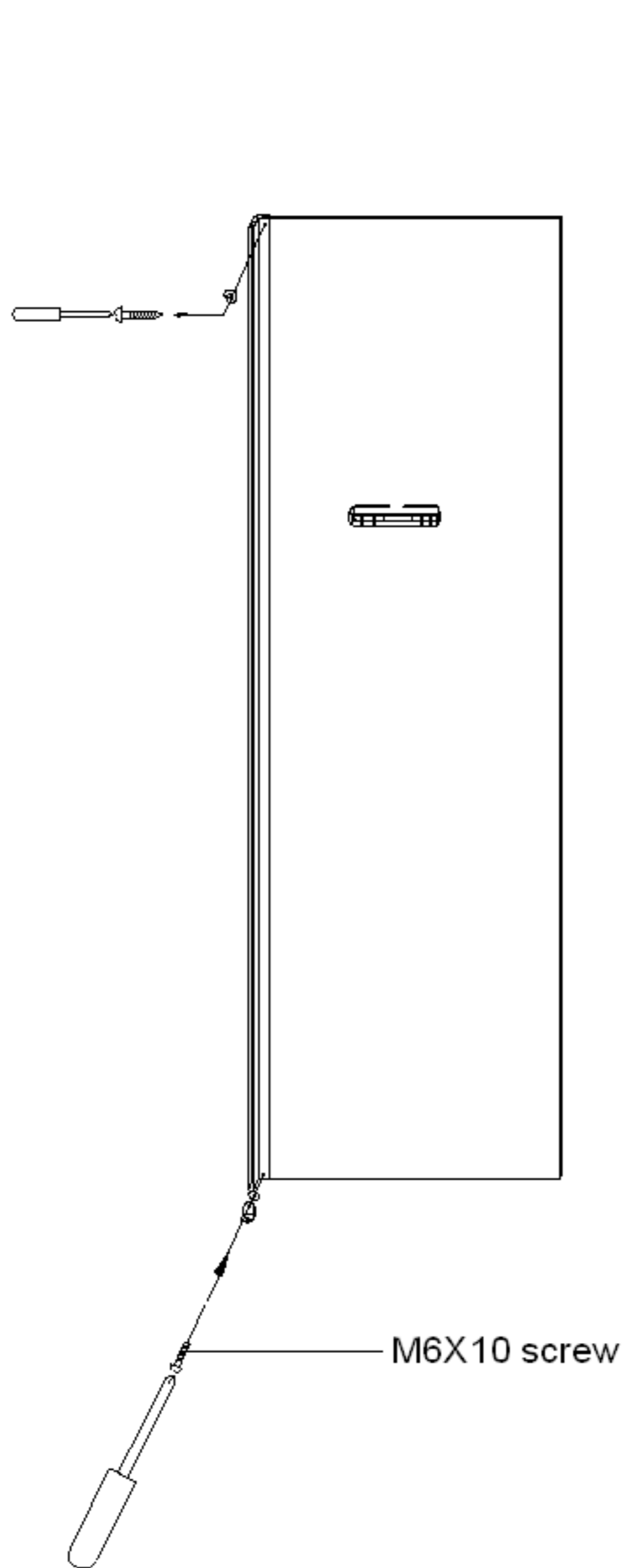
2. Adjust the shower tray to make sure the upper surface of the track is vertical with the wall. The upper side of the shower tray shall be level and all the legs shall reach the floor.



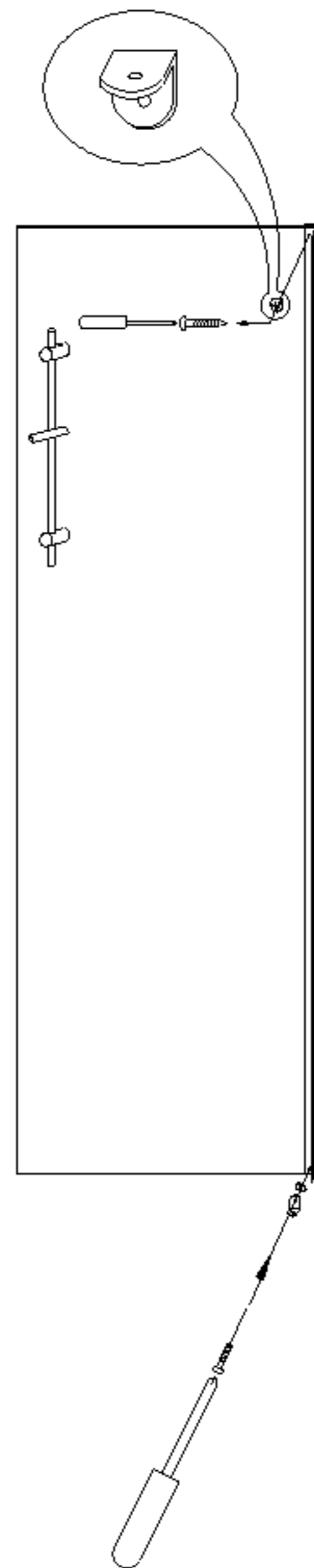
3. Install shower bar and aluminum profile.



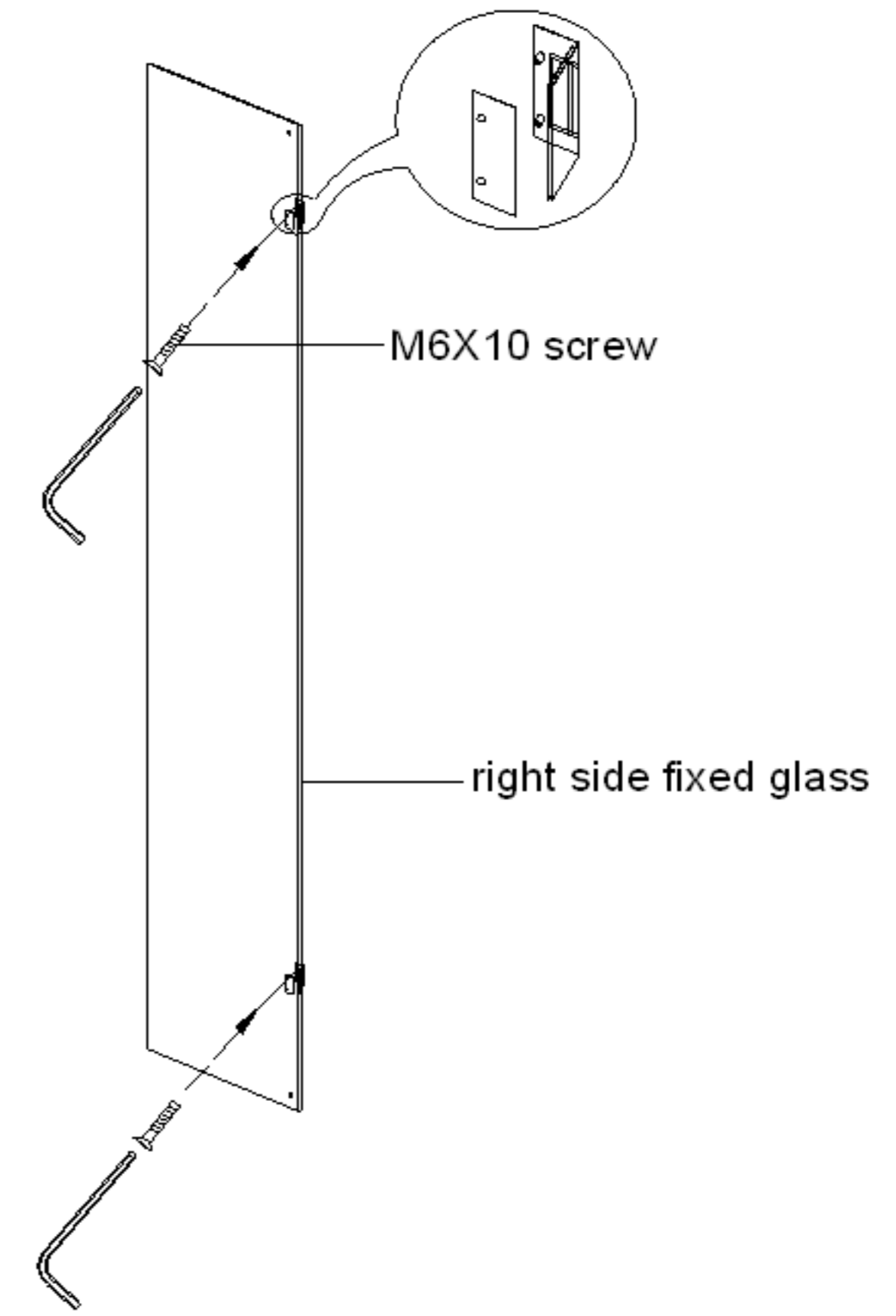
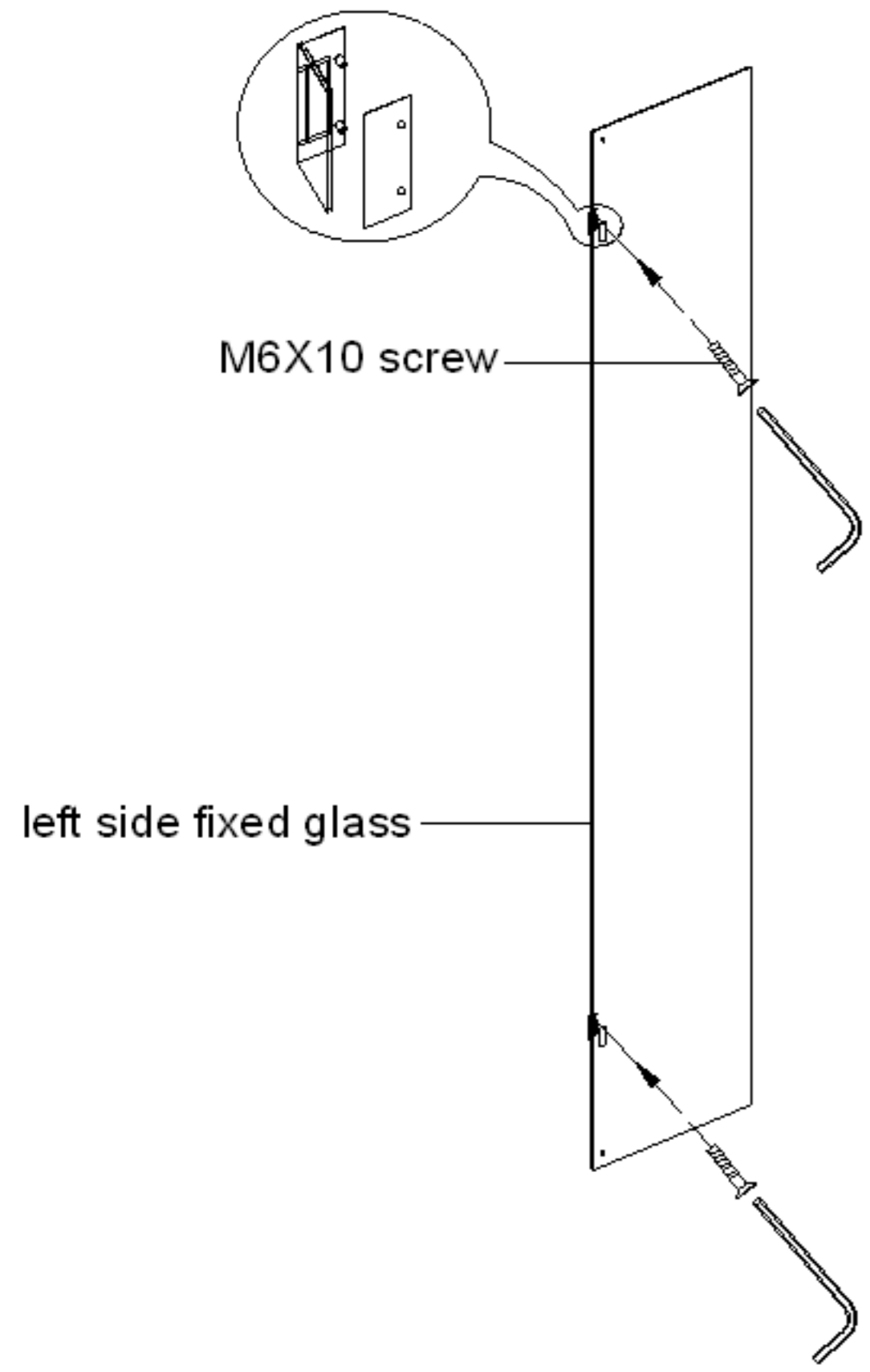
4. Install aluminum profile and shampoo holder.



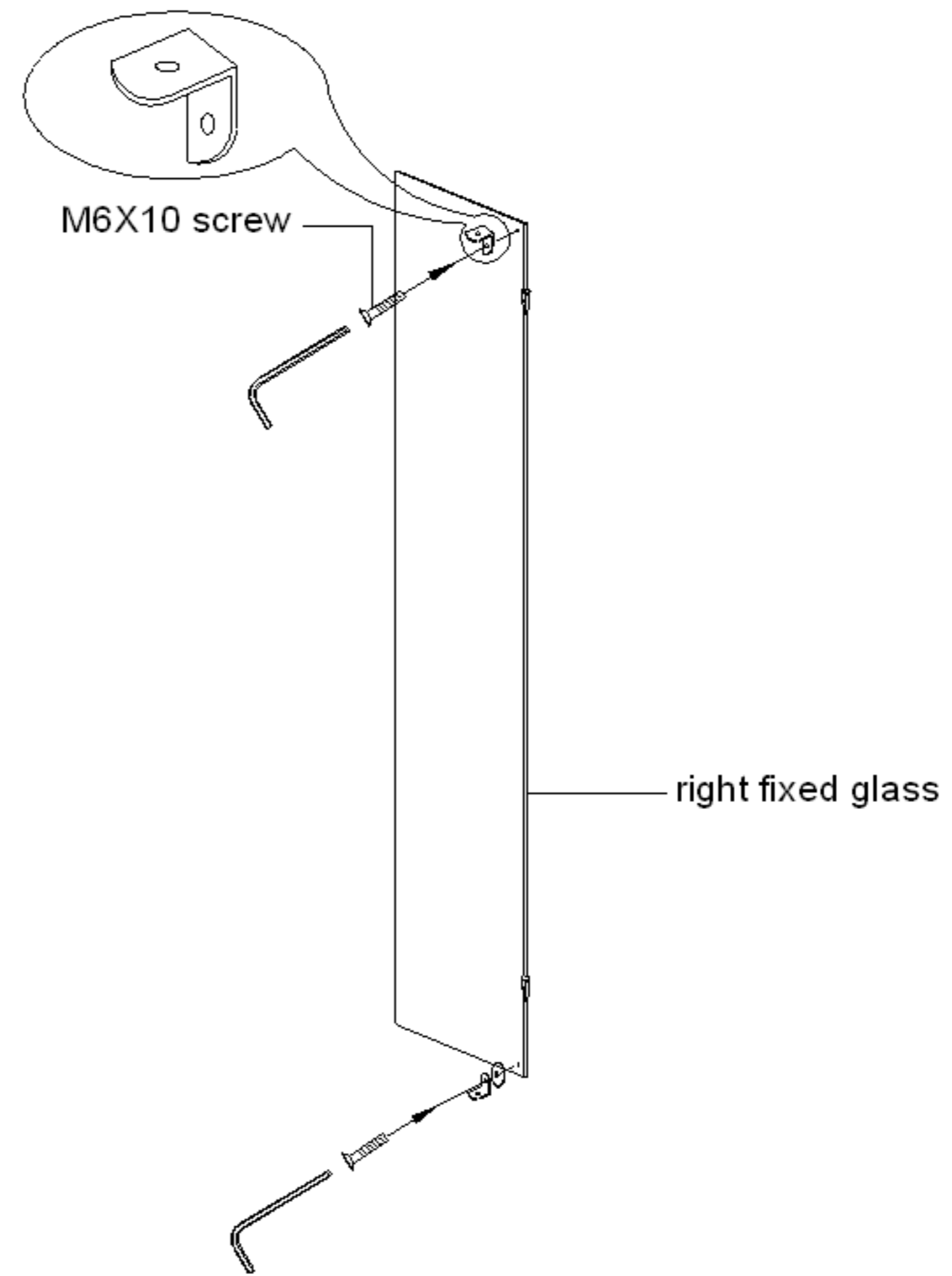
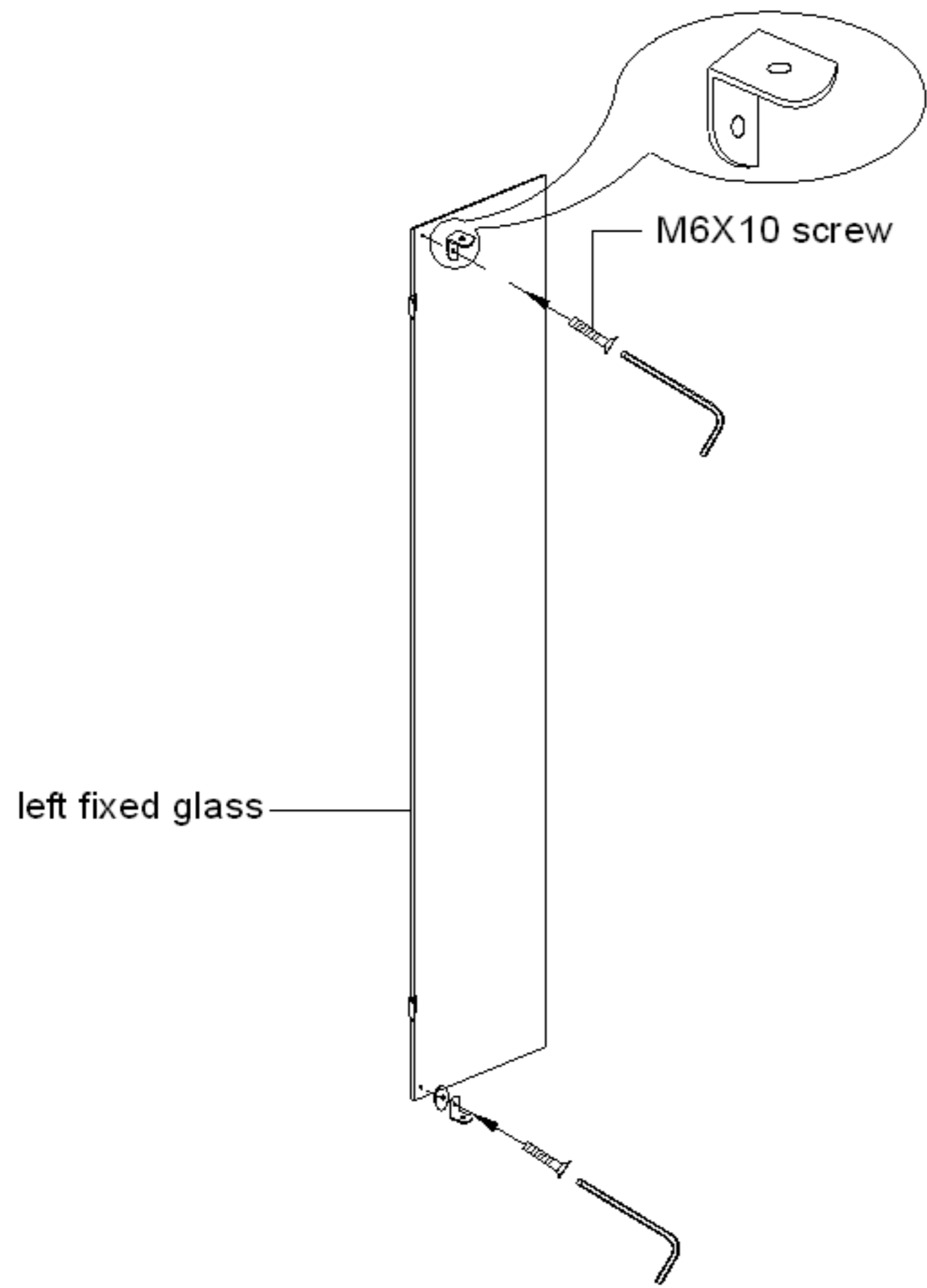
M6X10 screw



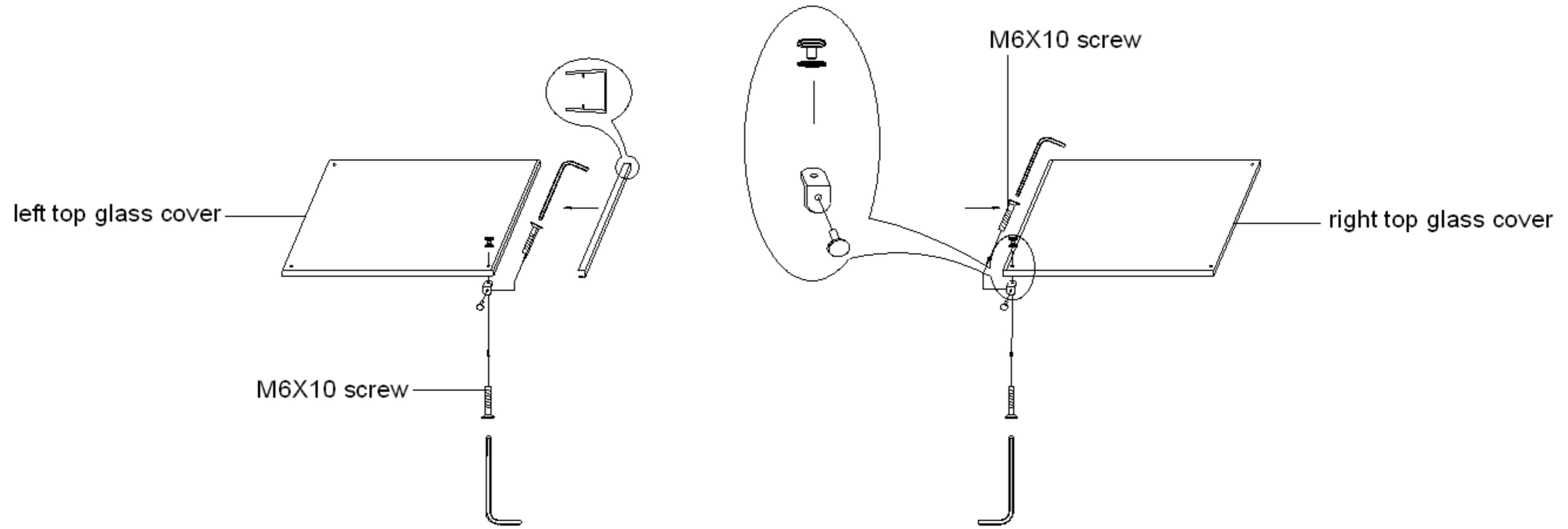
5. Install glass clip



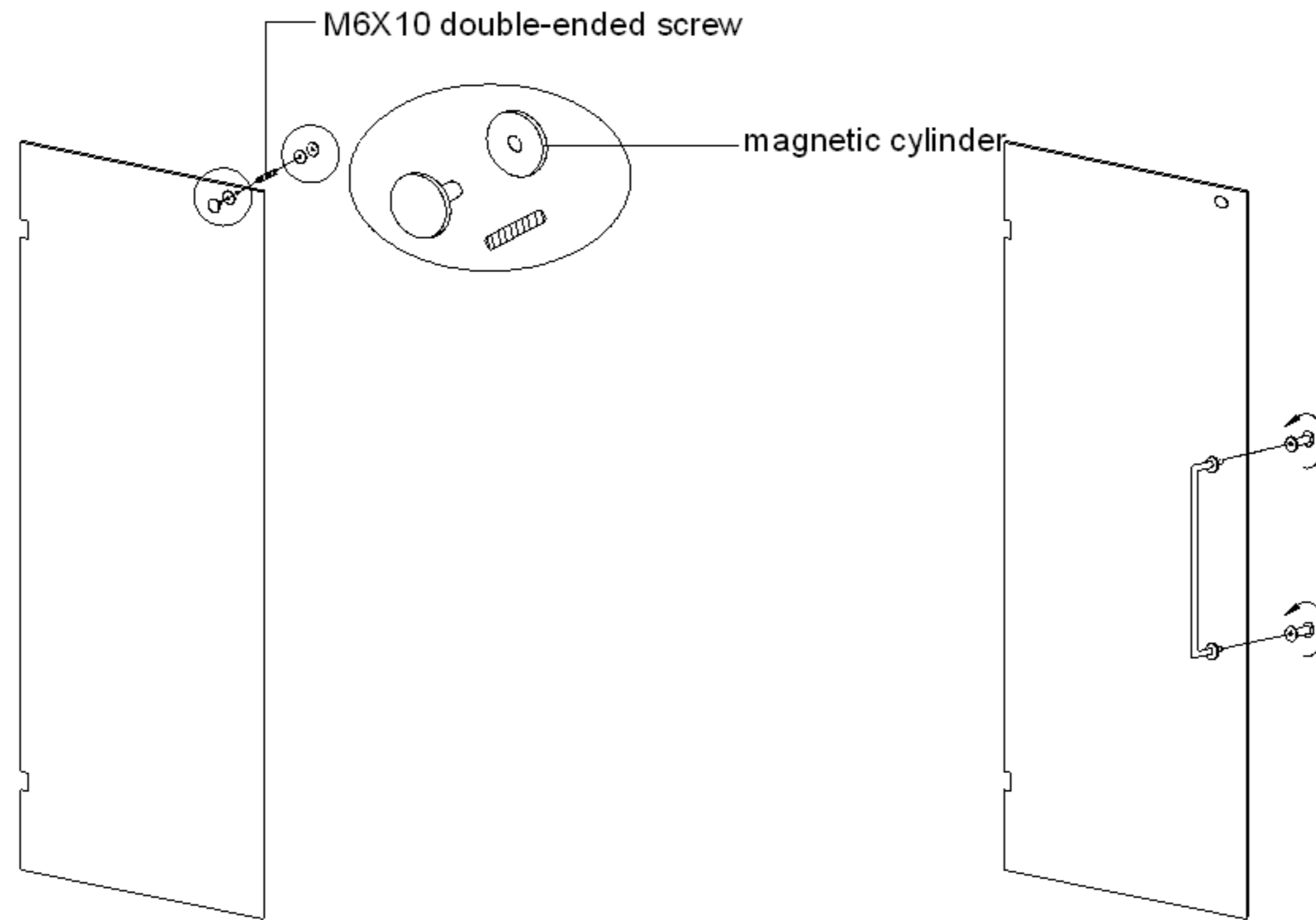
6. Install glass hinge for side fixed glasses



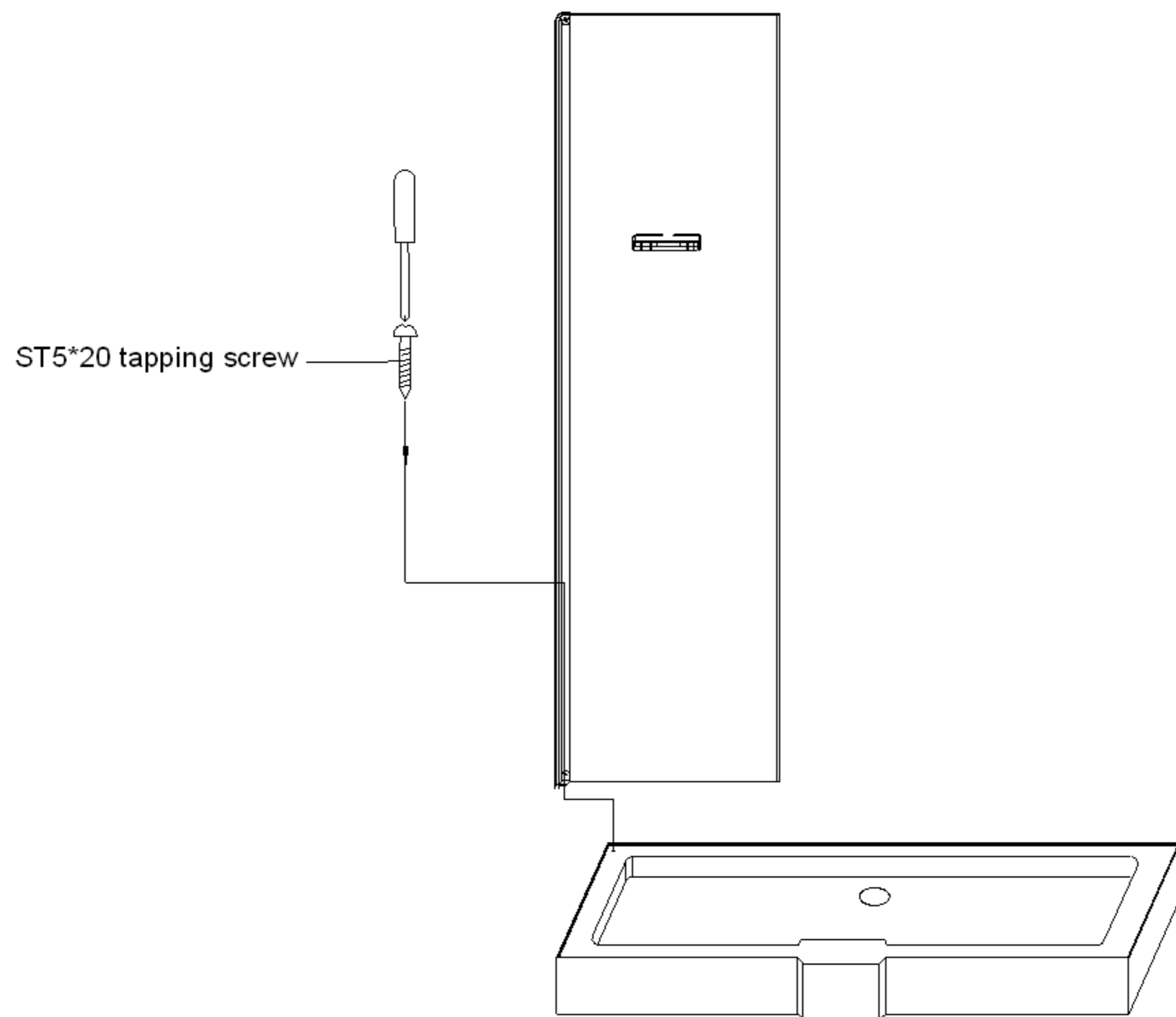
7. Install glass clip for fixed glass to connect bathtub and top cover.



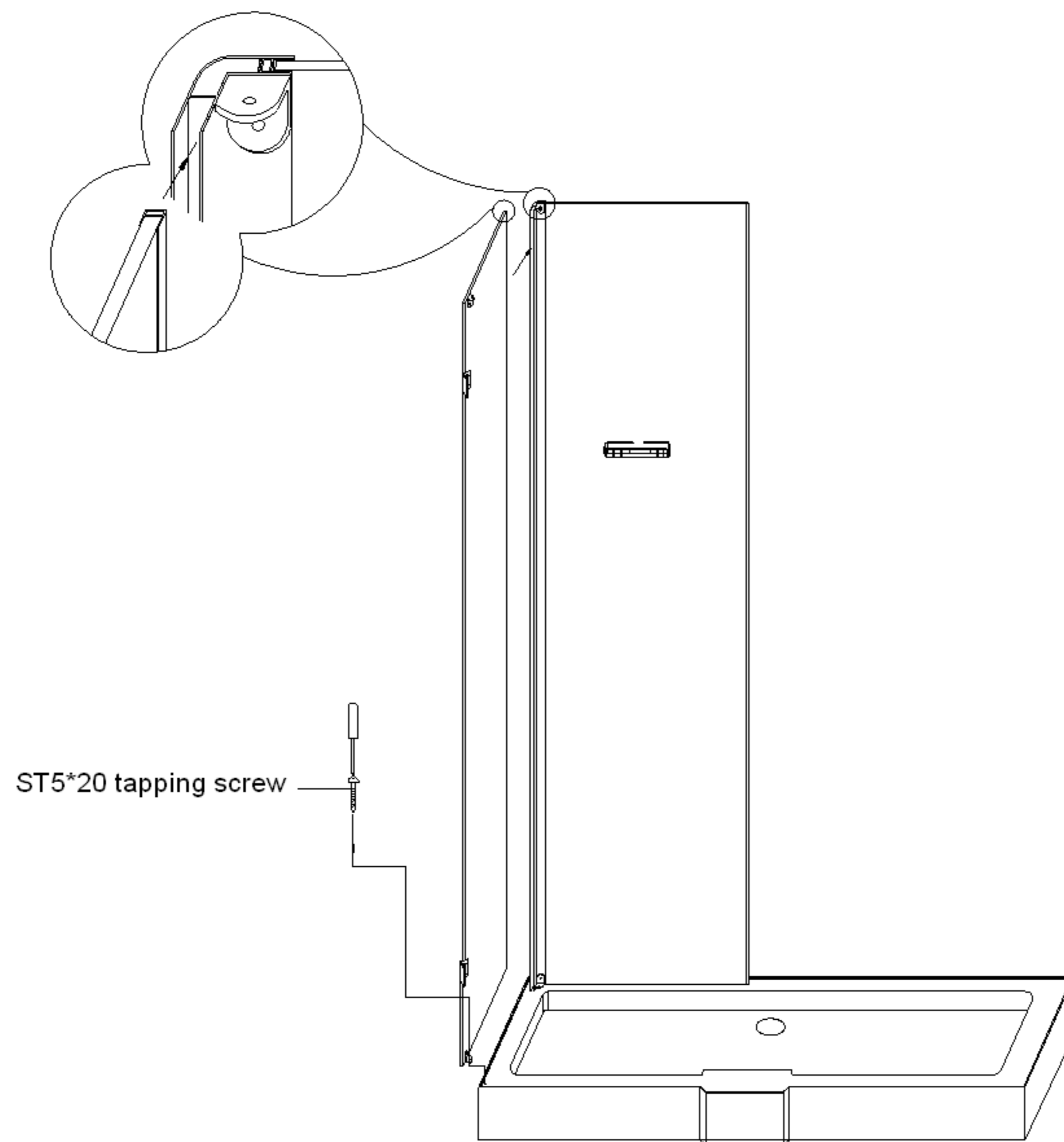
8. Install magnetic cylinder I for top glass cover.



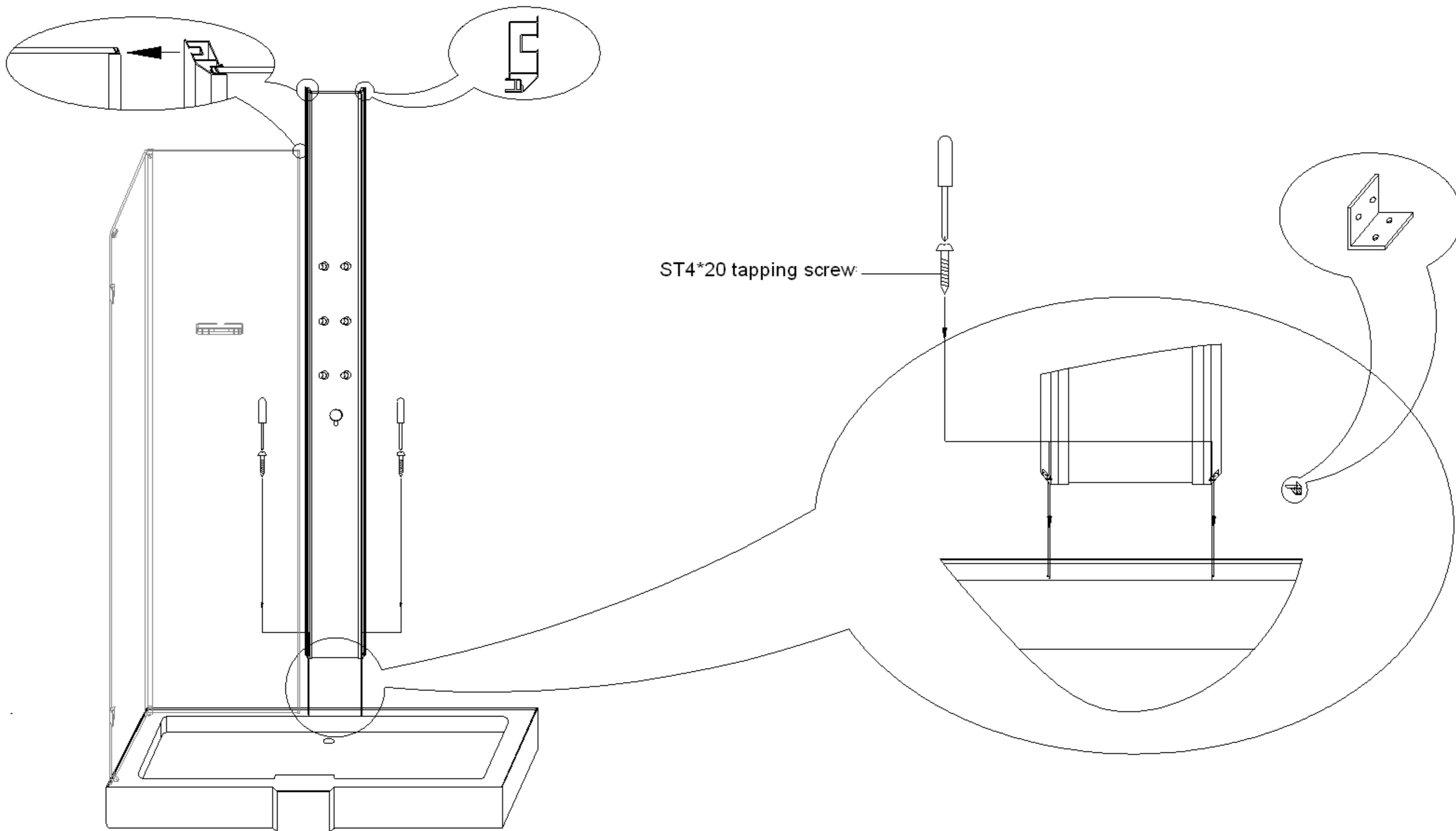
9. Install magnetic cylinder and door handle for movable glass.

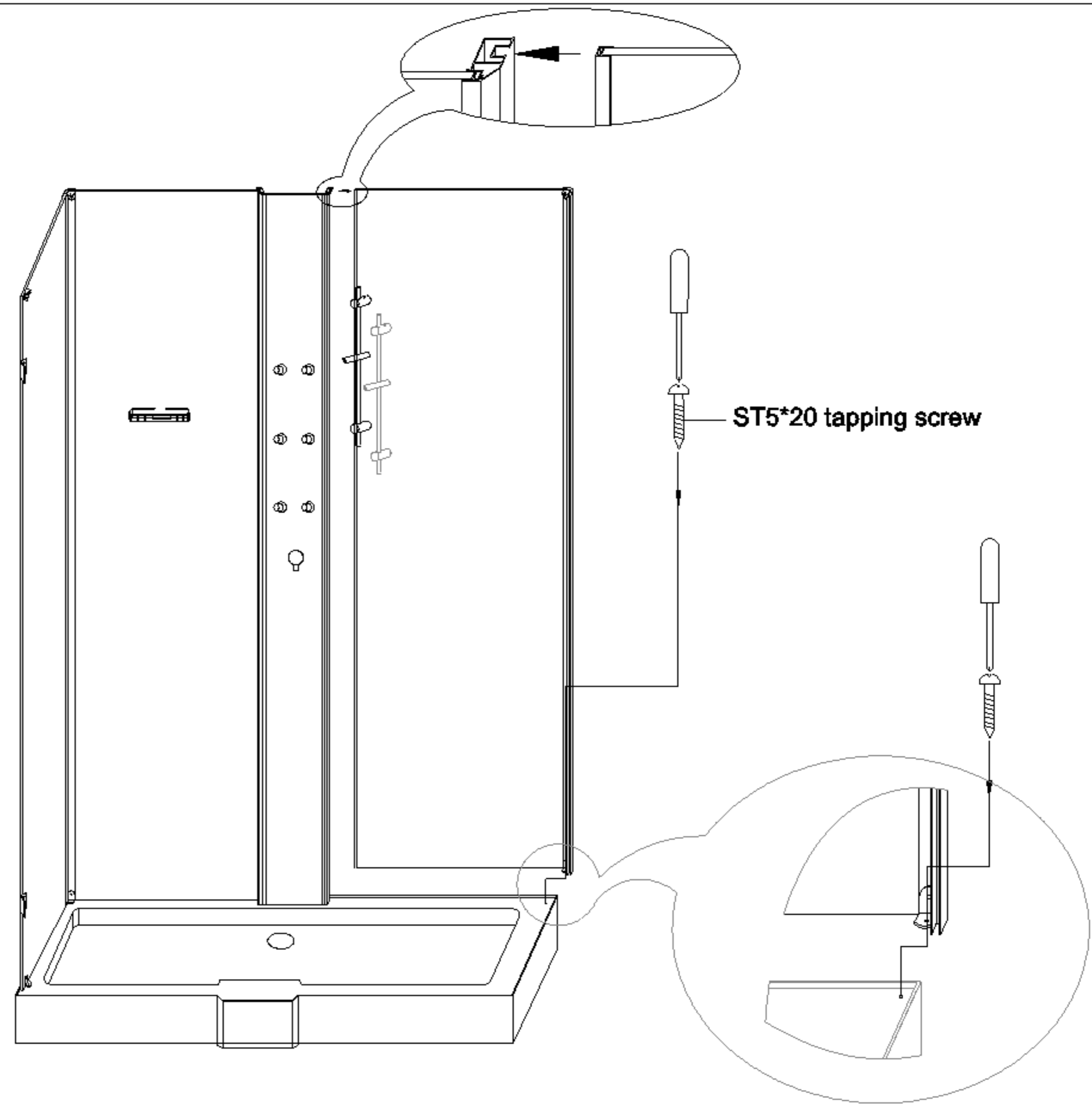


10. Install left glass panel.

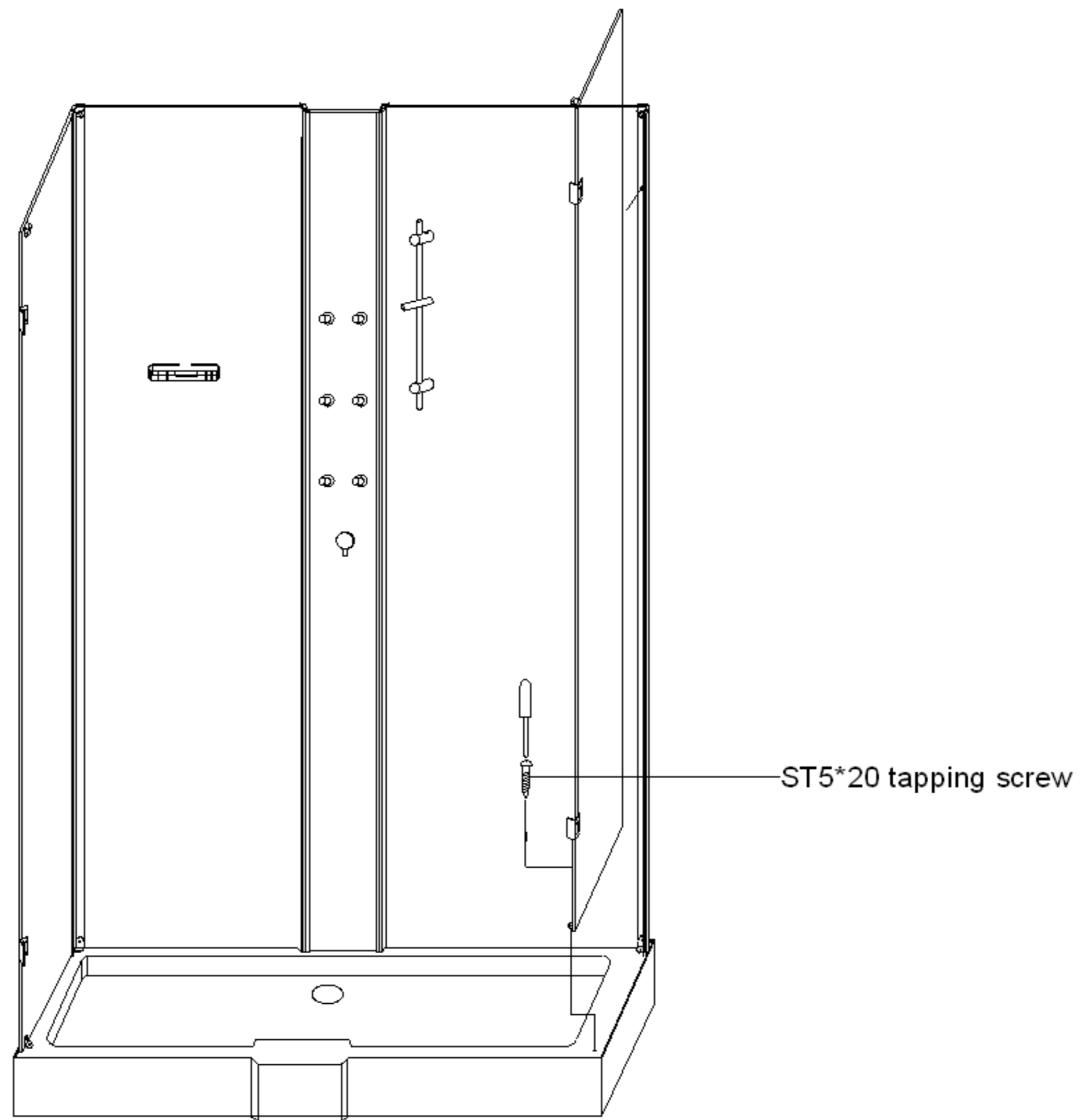


11. Install left side fixed glasses.

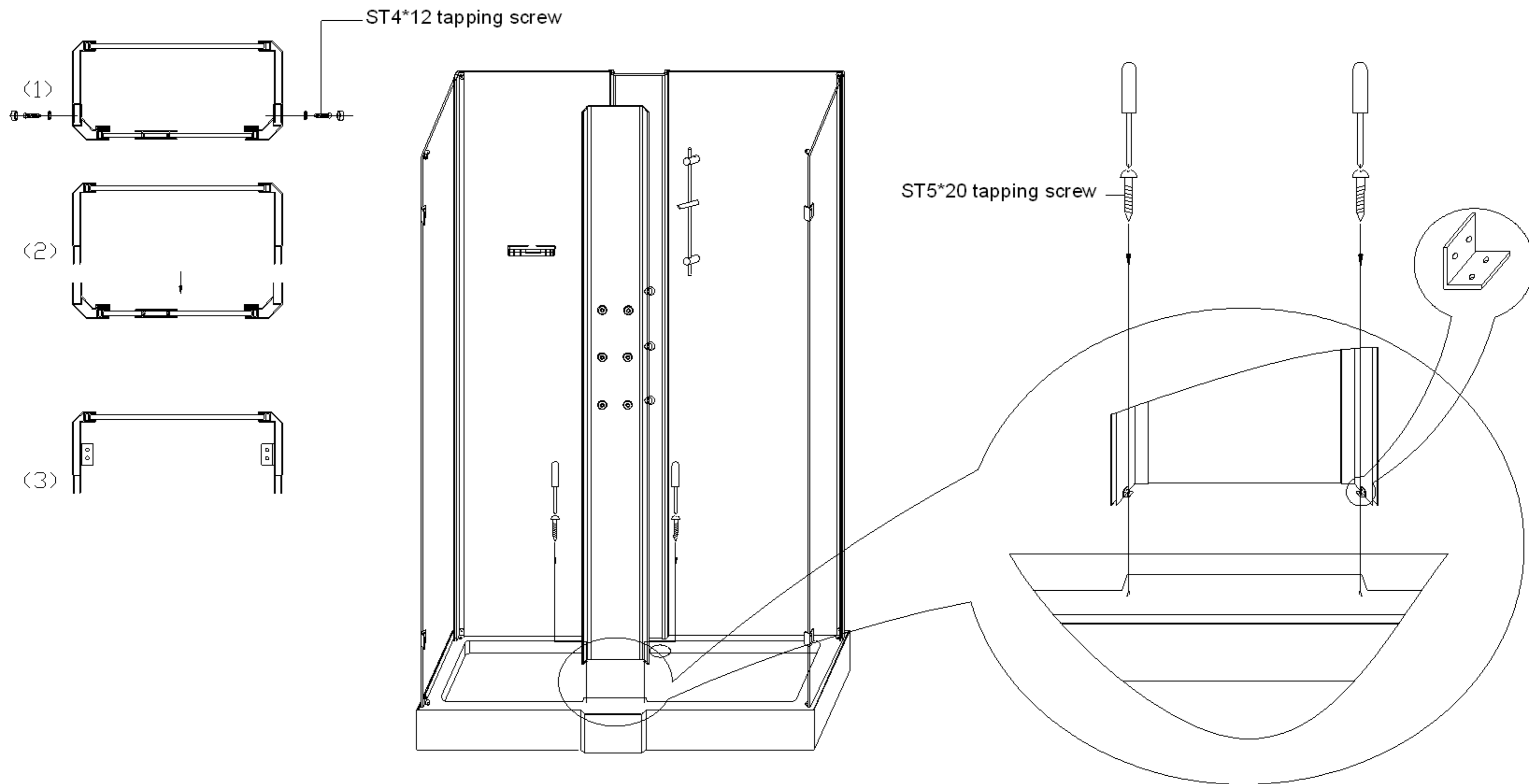




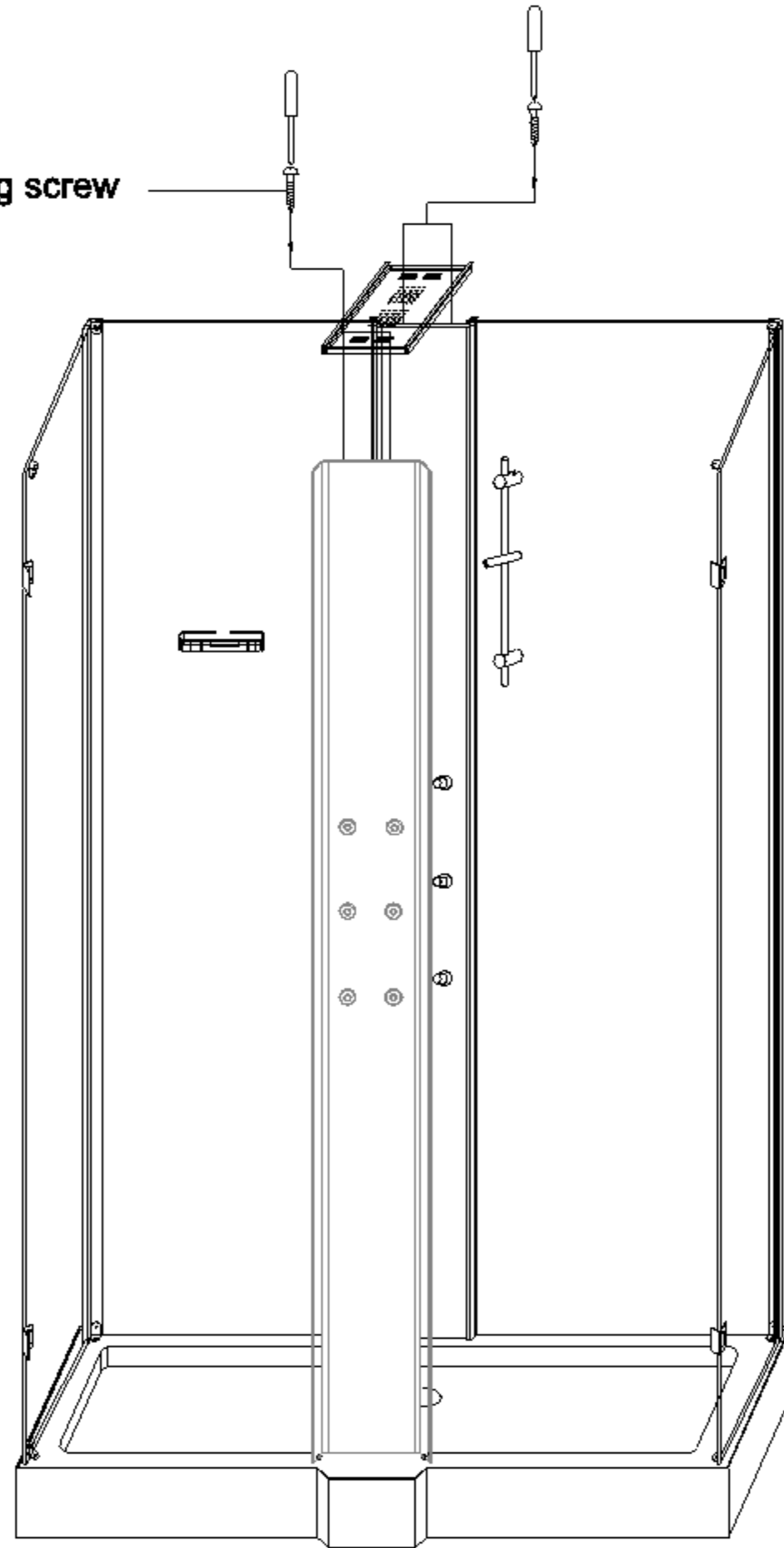
13. Install right glass panel



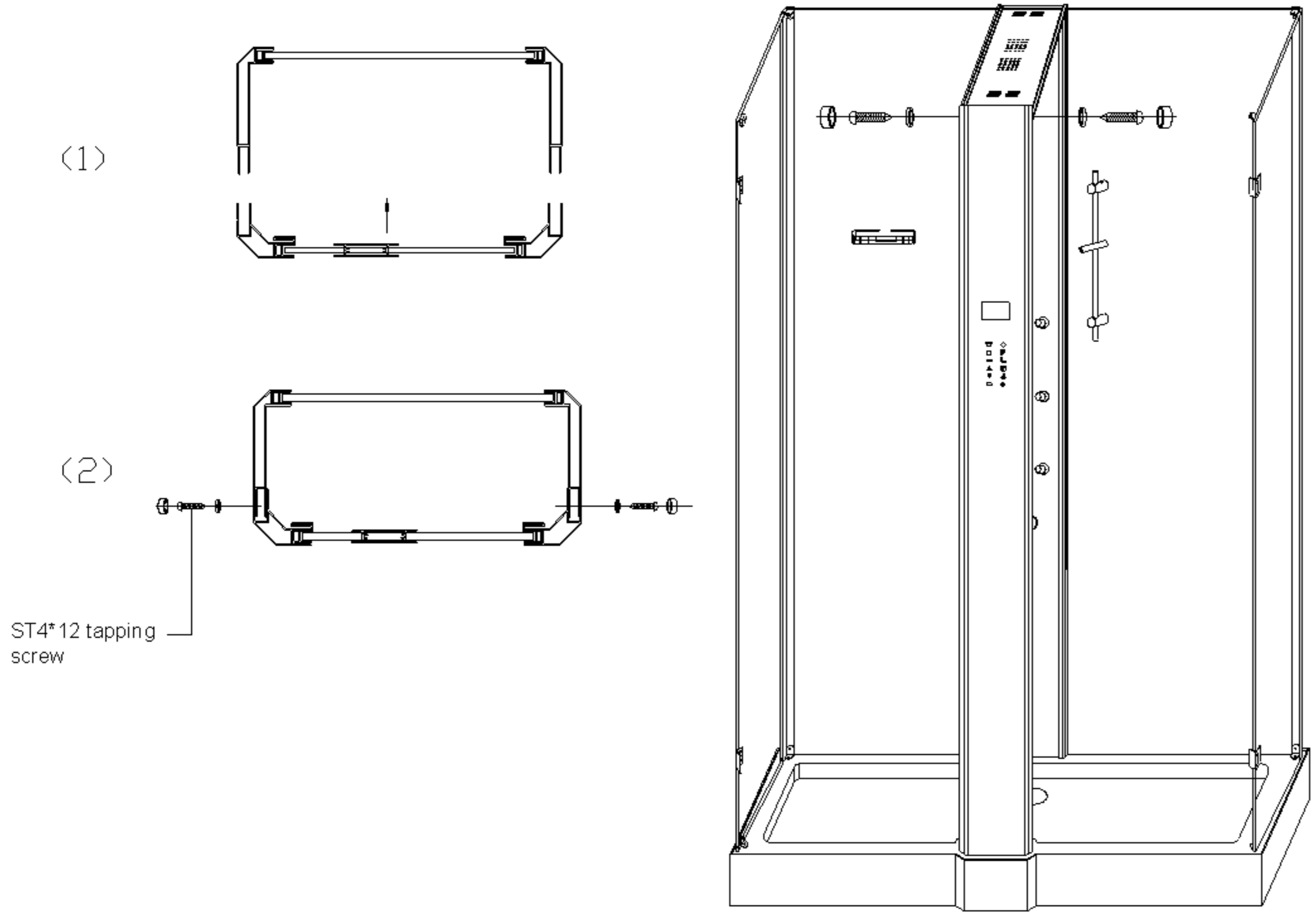
14. Install right side fixed glasses.



ST3.5*35 tapping screw

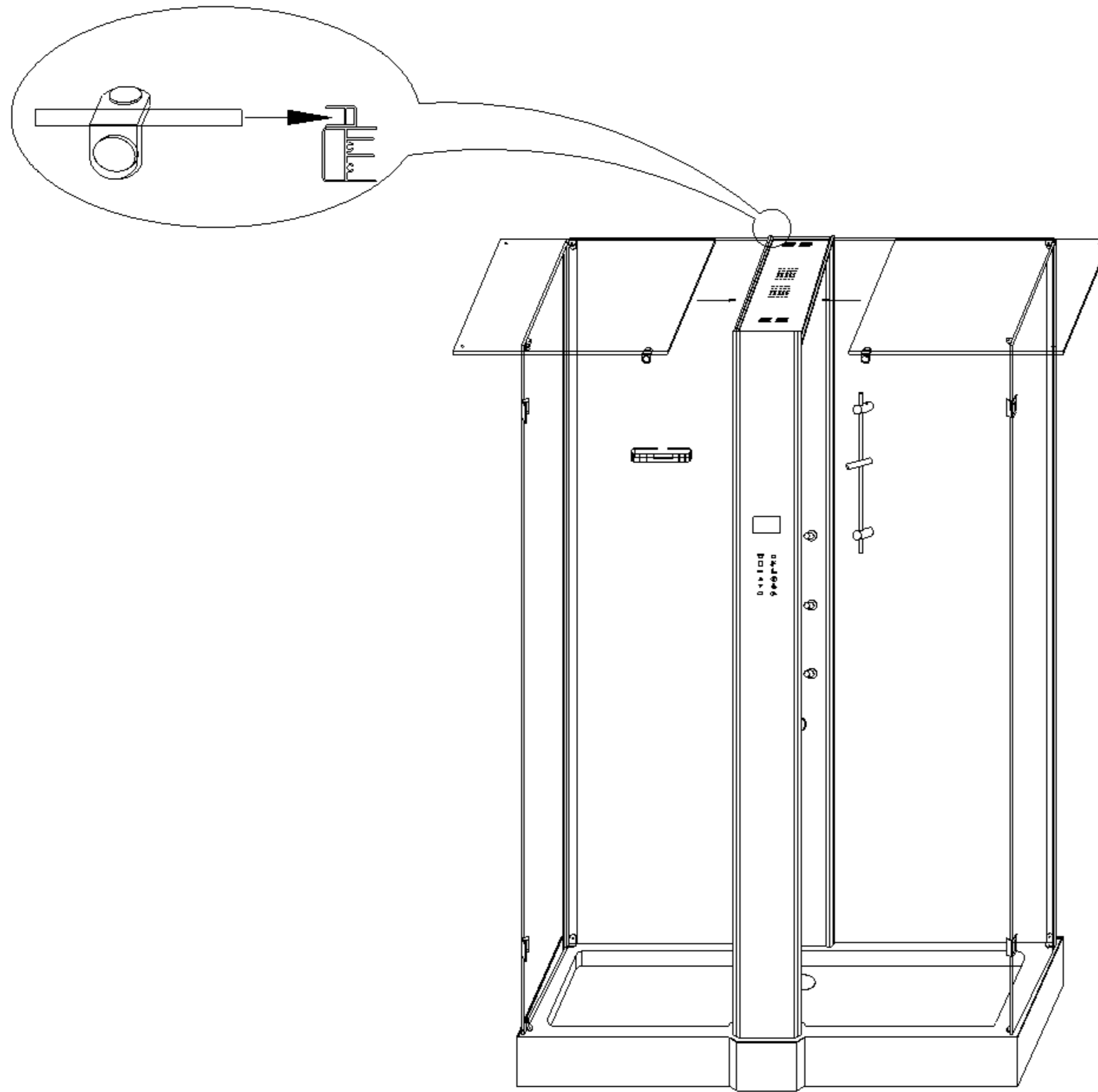


16. Install ceiling shower.

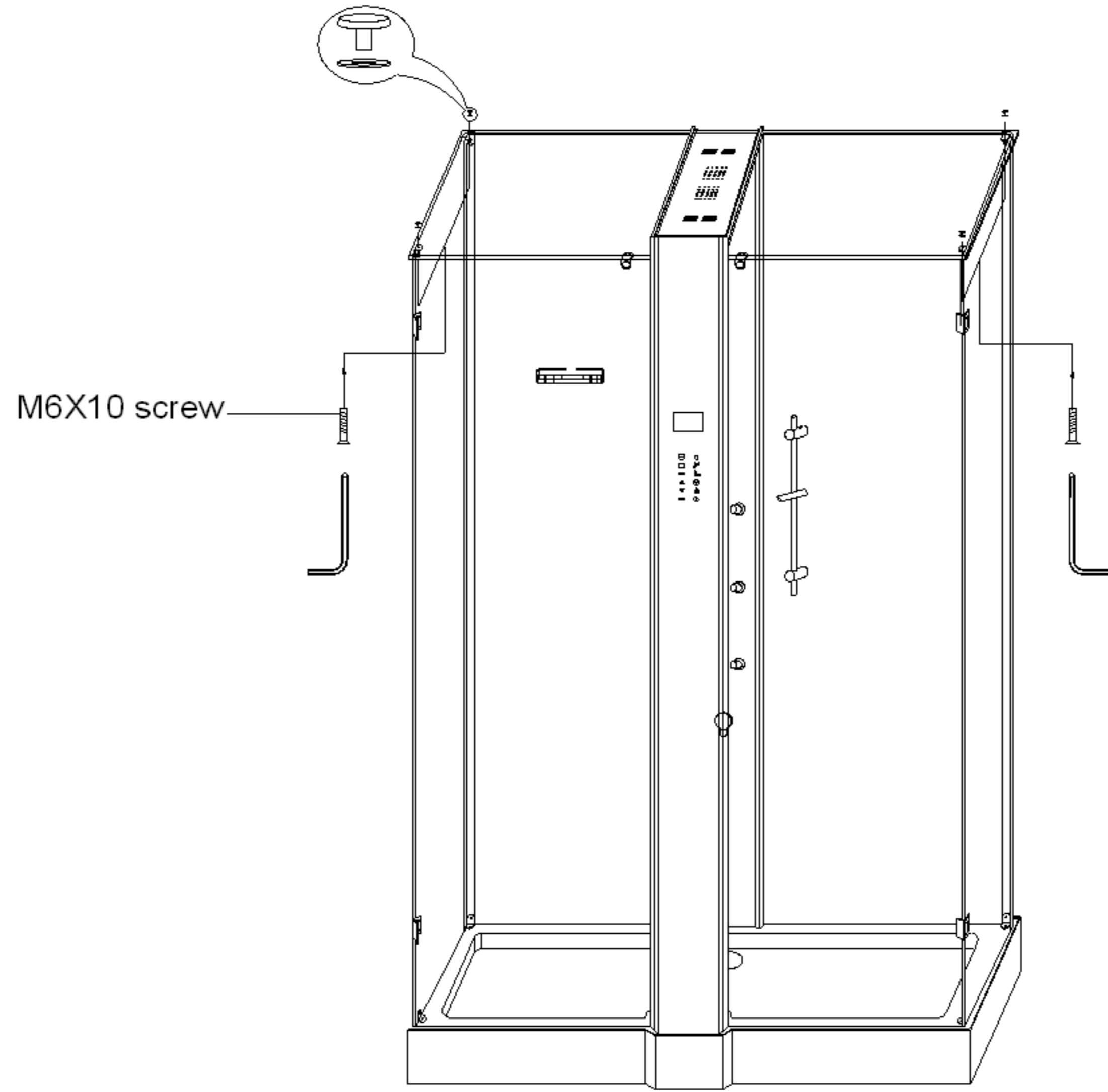


ST4*12 tapping screw

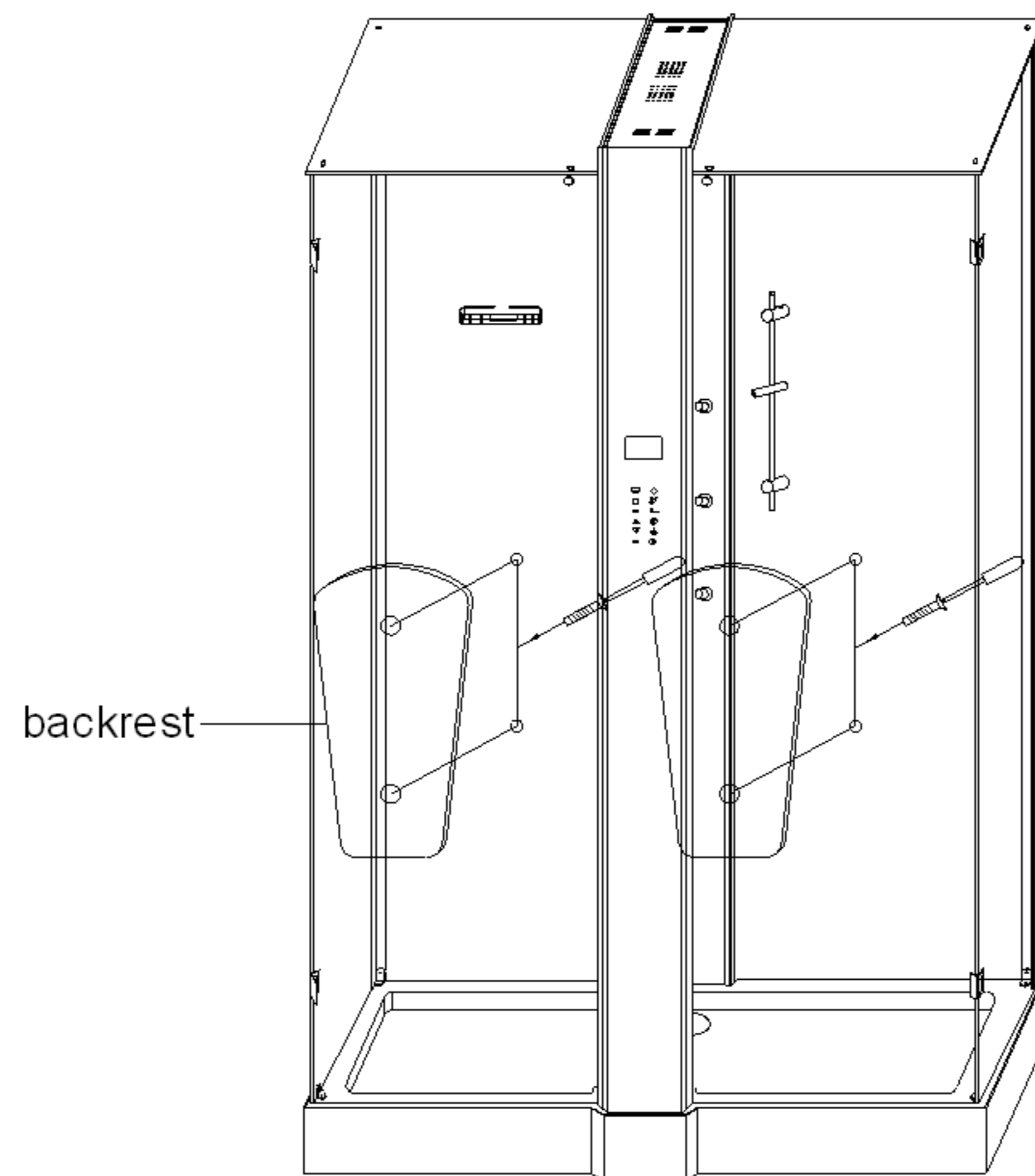
17. Get water pipe and electric wire connected according to number. Install front part of column.



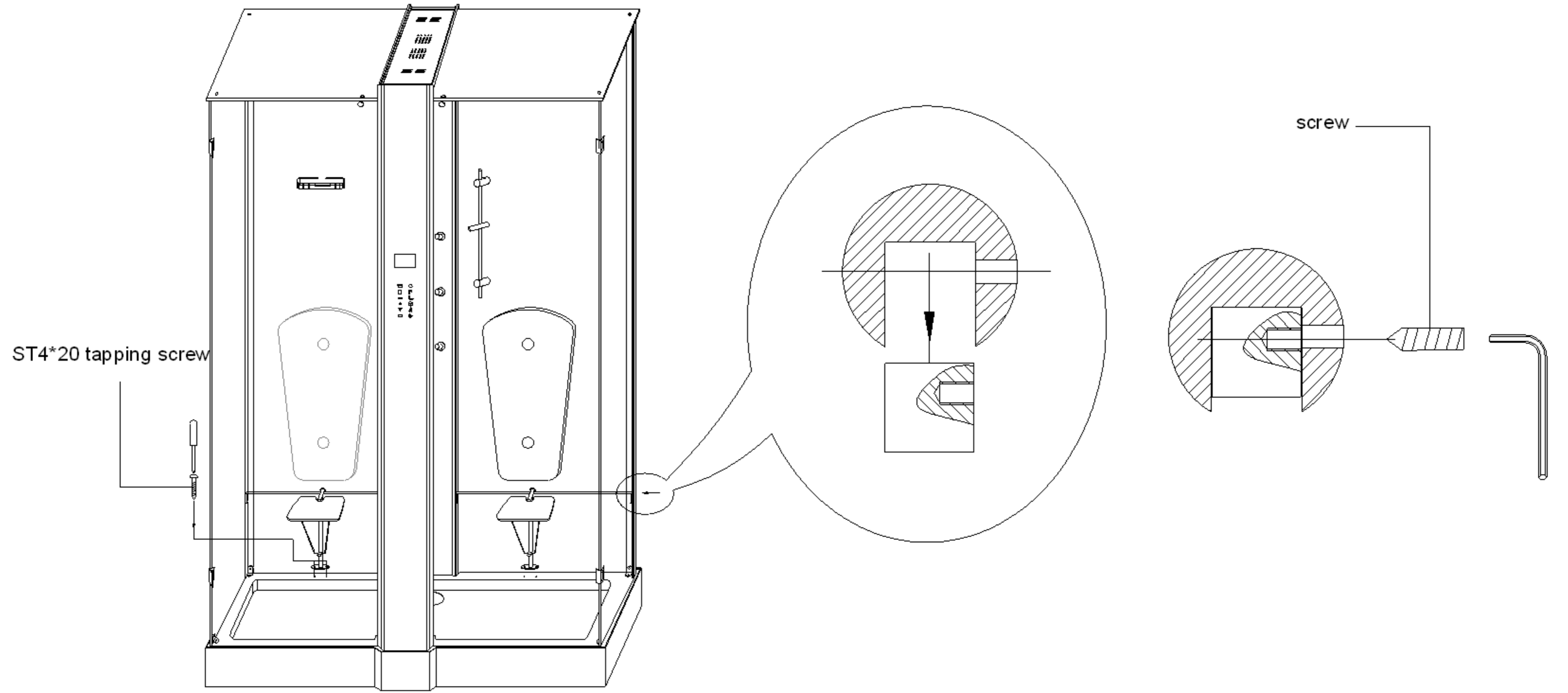
18. Install top cover.



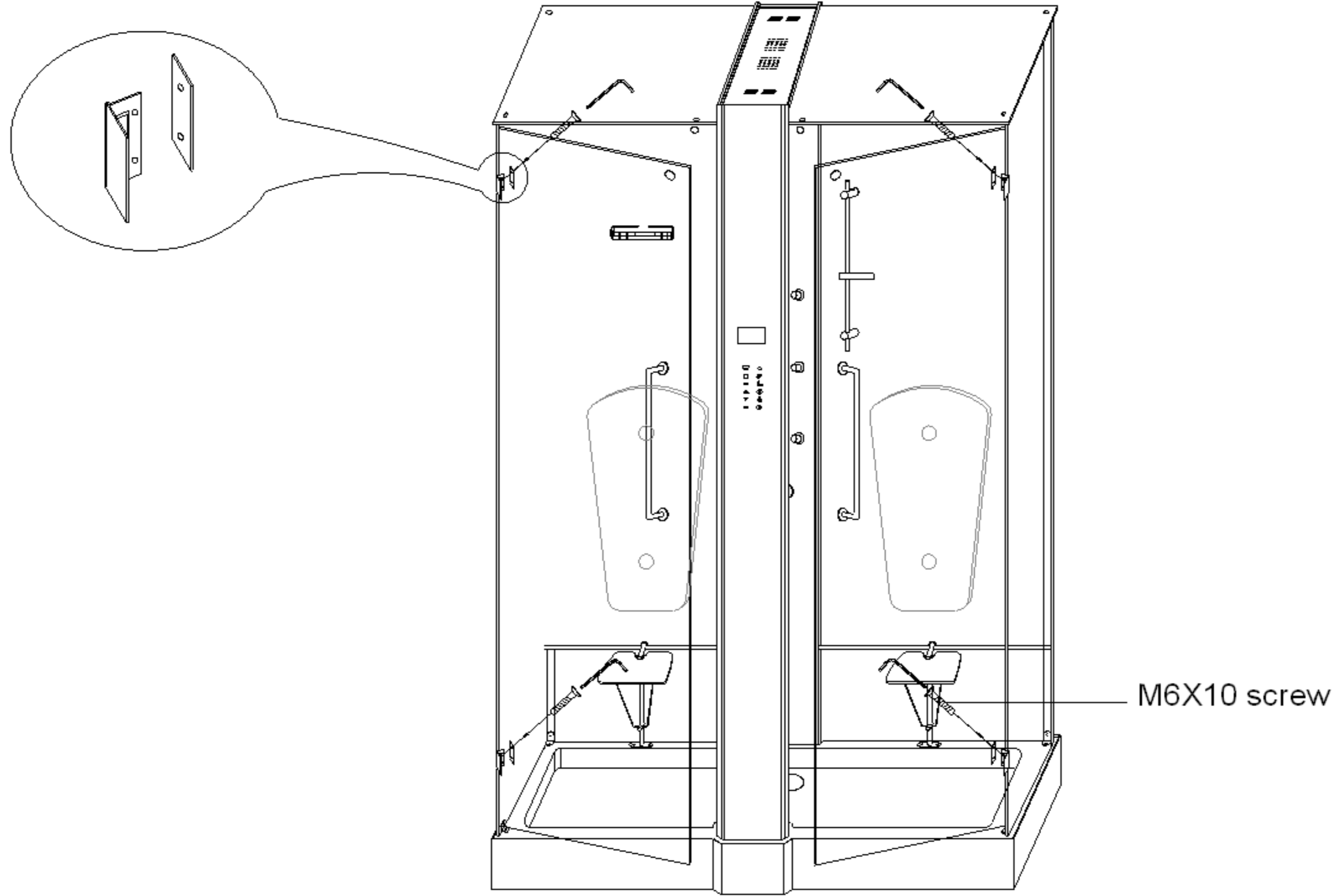
19. Install top glass cover.



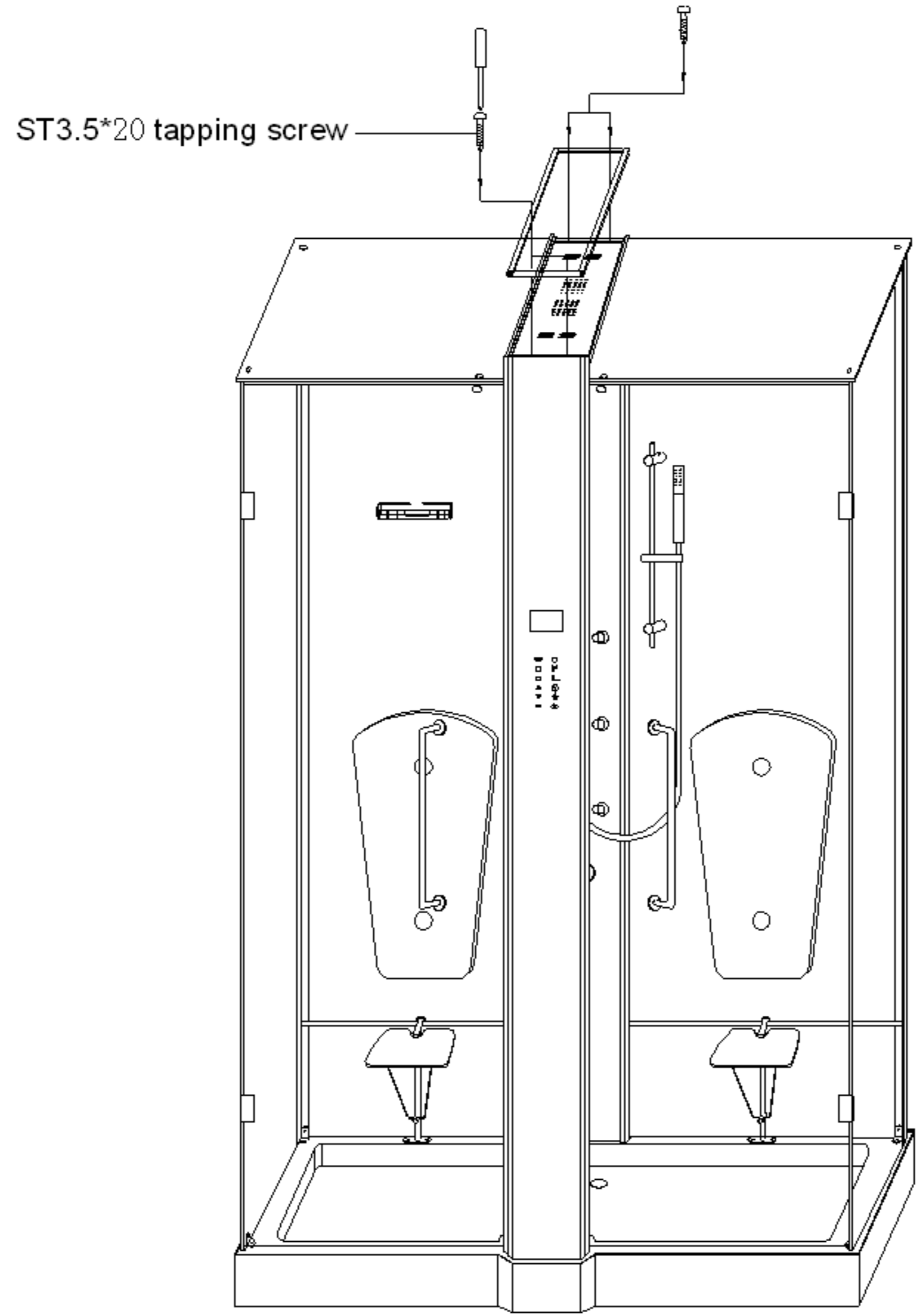
20. Install backrest.



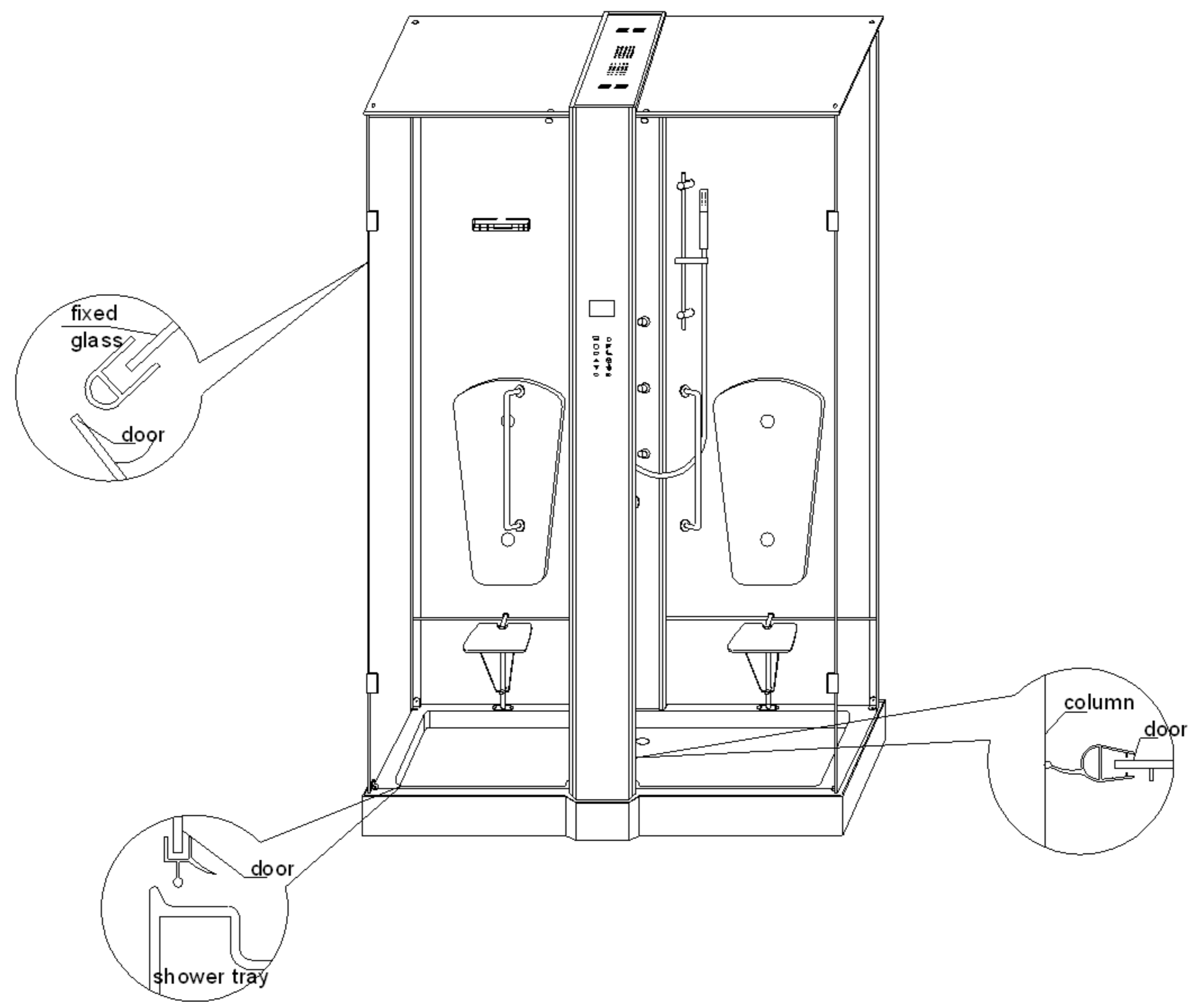
21. Install seat.



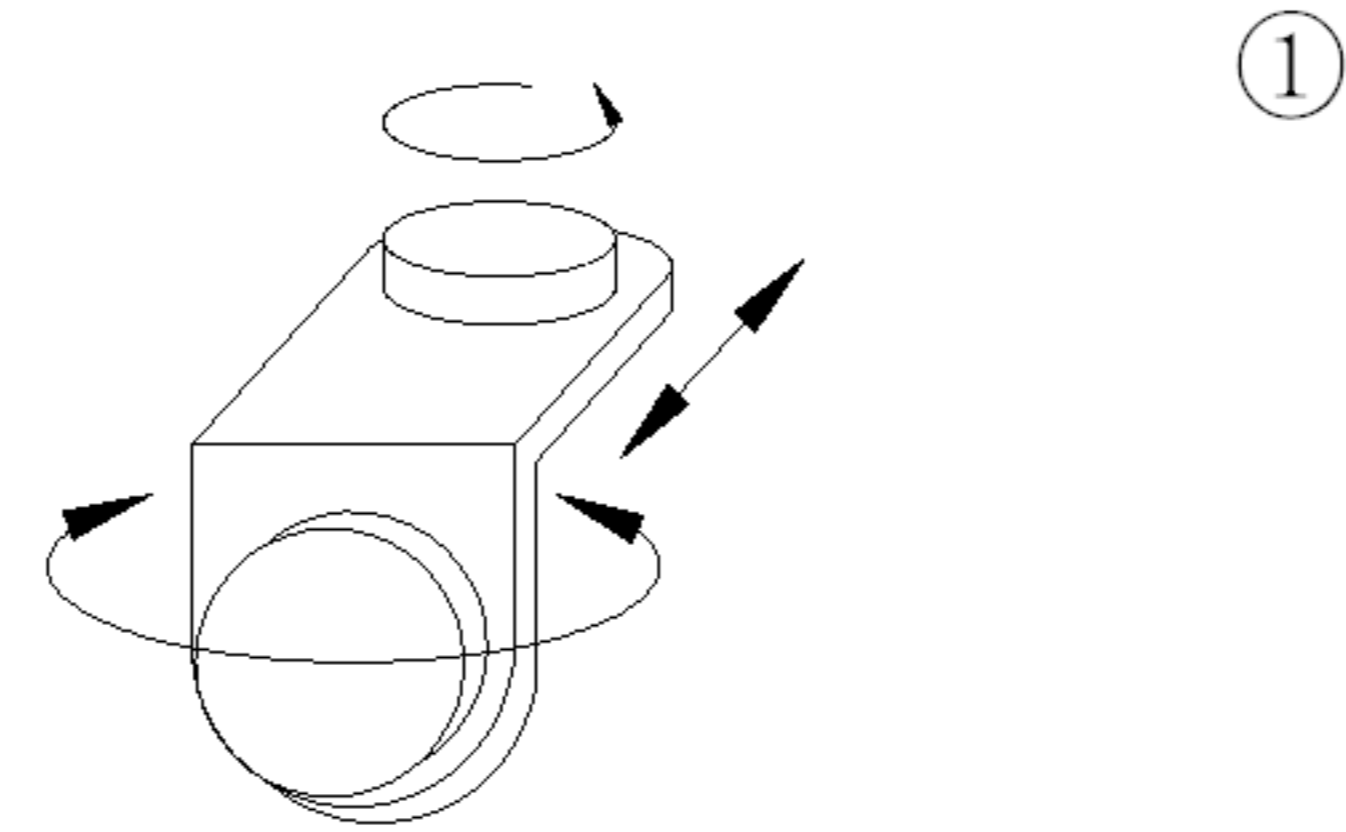
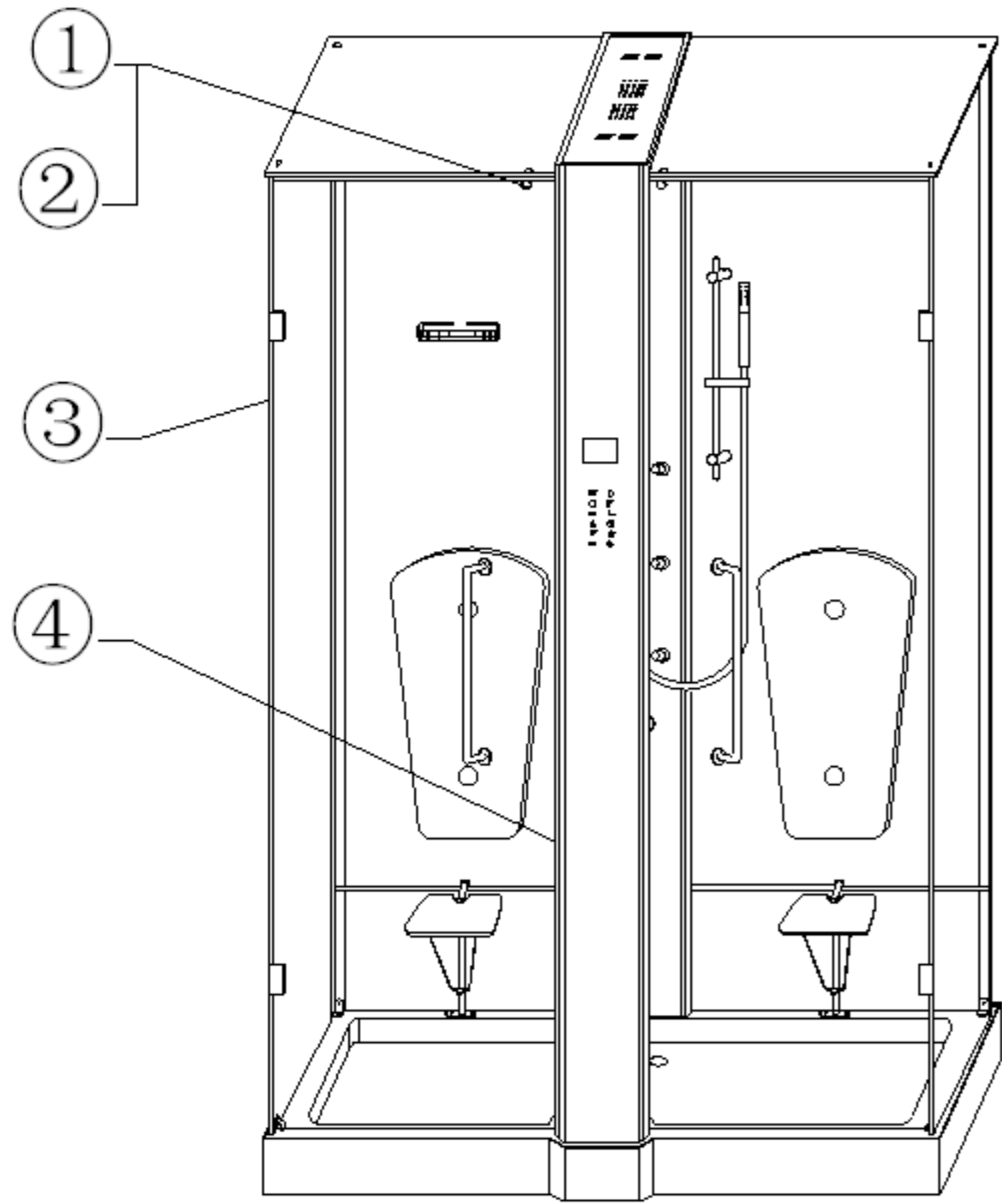
22. Install movable glass door.



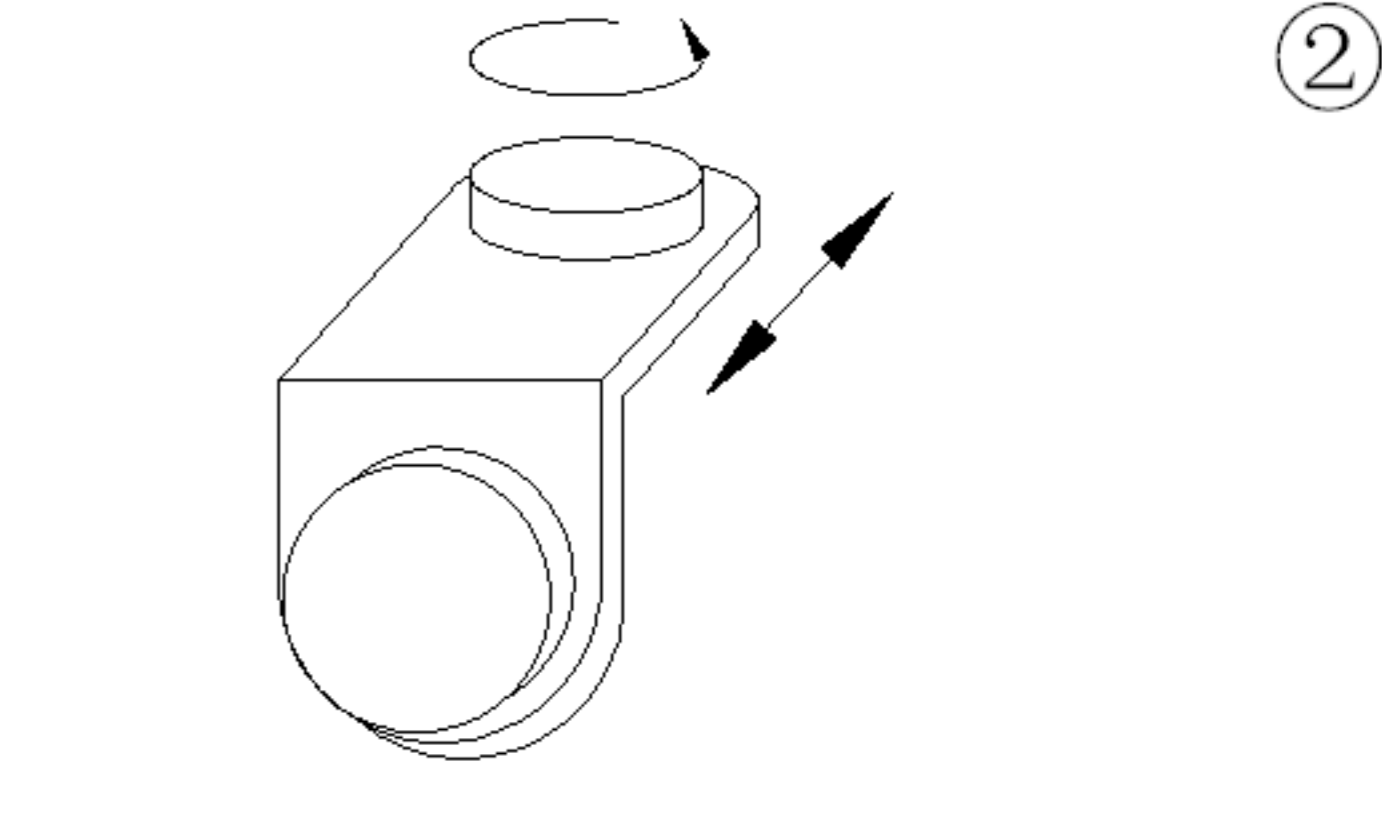
23. Install the cover of ceiling shower.



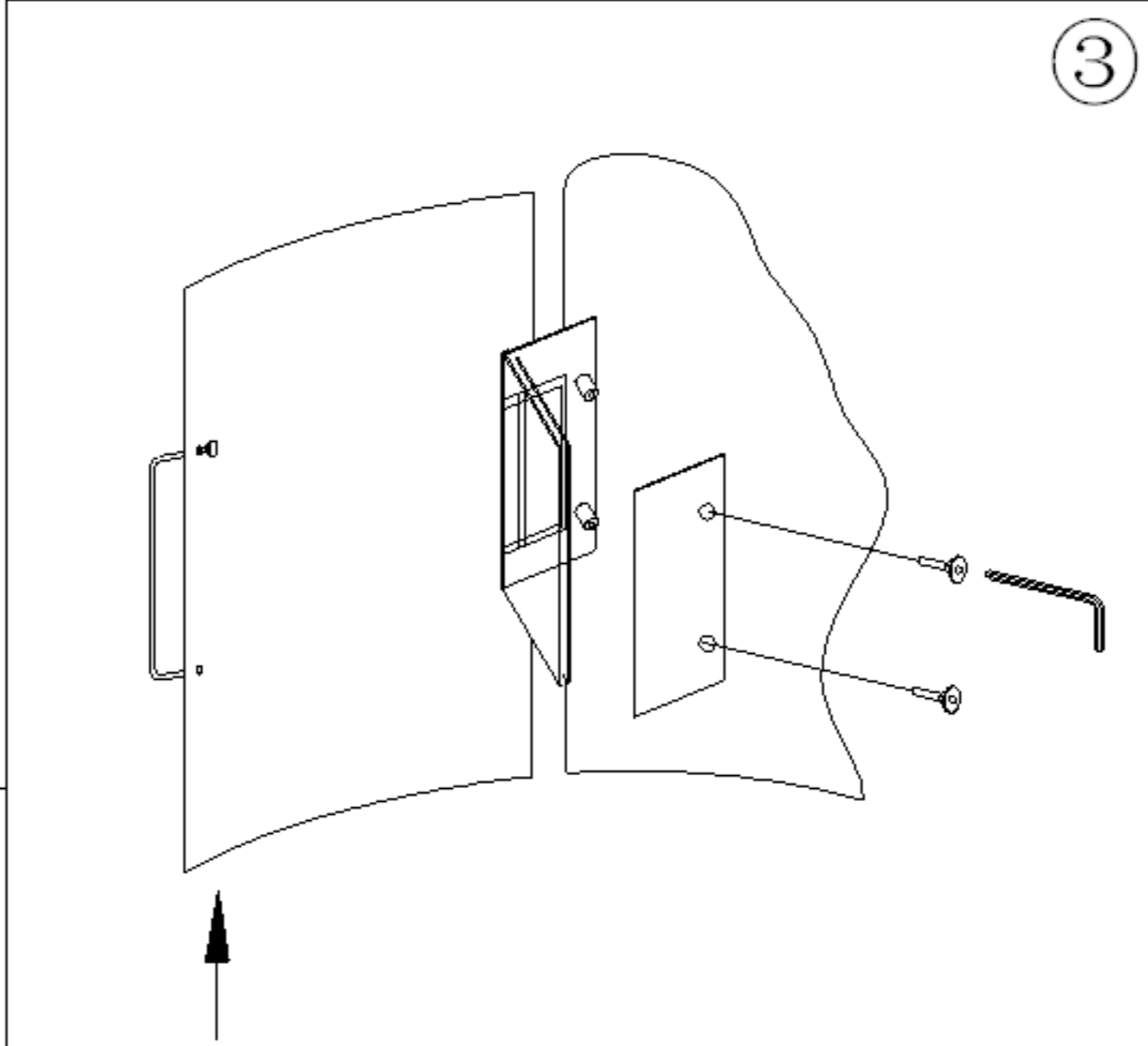
24. Install plastic seal: please install plastic seal as picture shows to avoid water leakage or steam leakage.



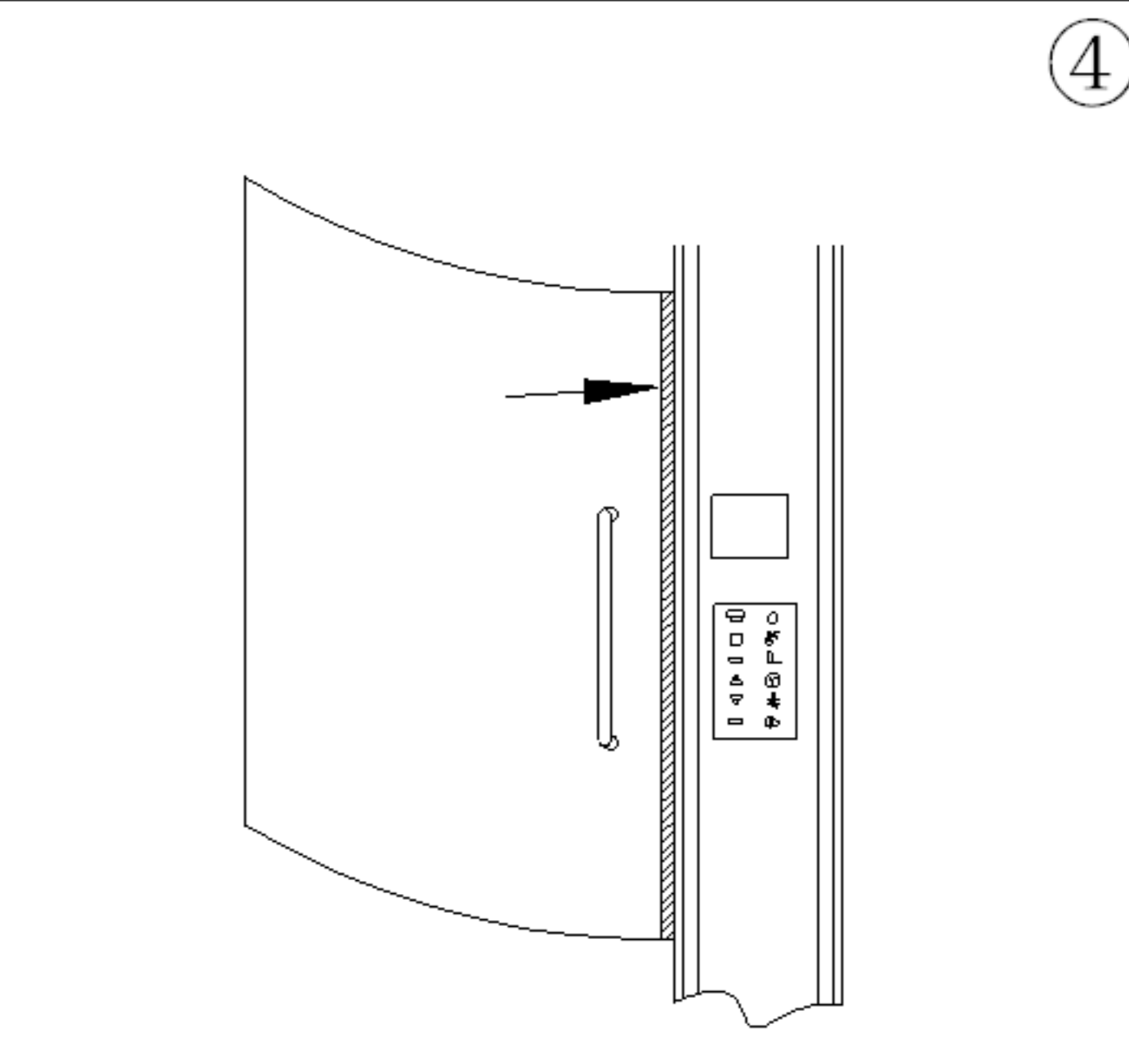
adjust magnetic cylinder



adjust glass clip

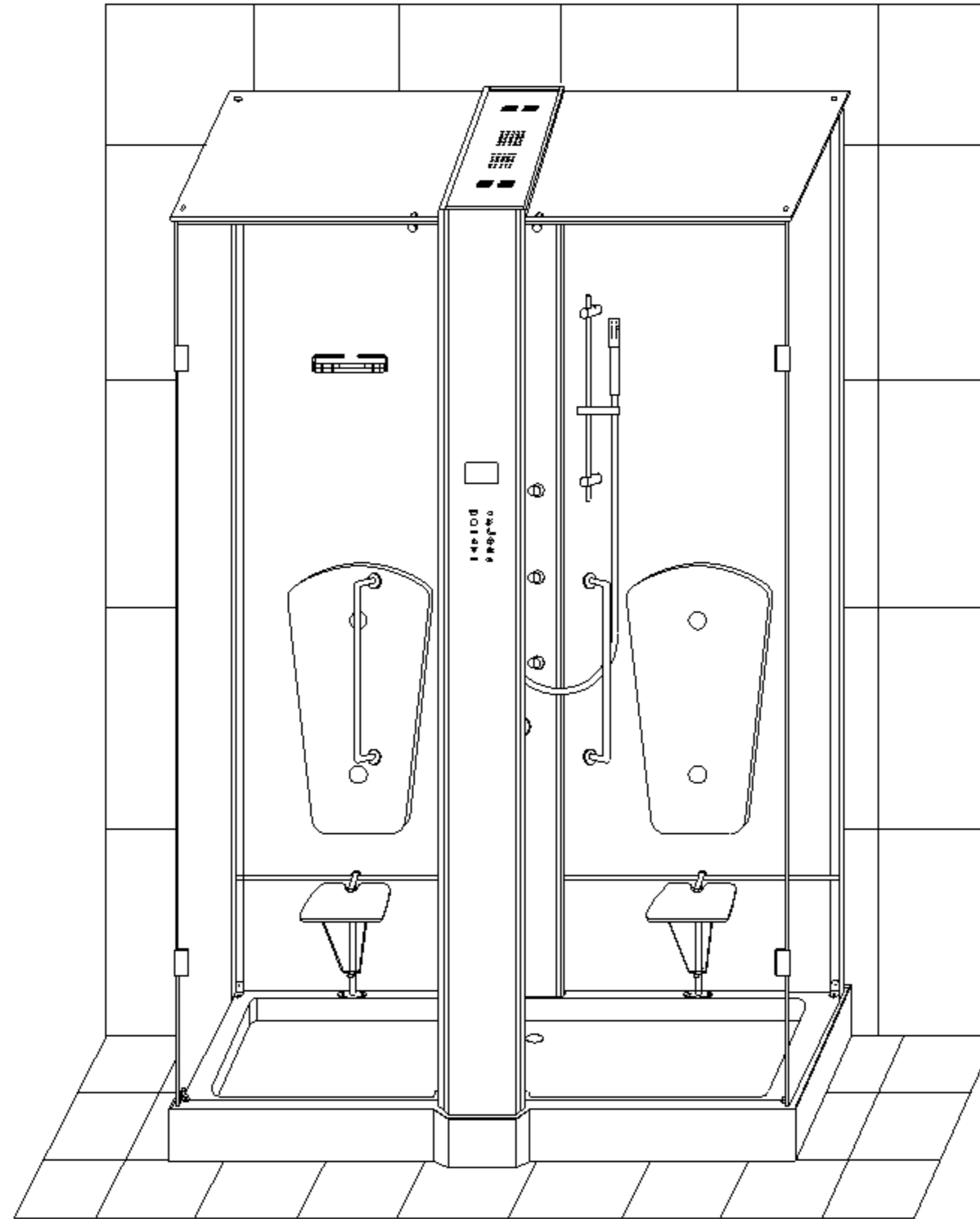


adjust door hinge



adjust plastic seal

25. Adjust magnetic cylinder, glass clip, door hinge and plastic seal to get the movable door well closed.



26. Get water supply and power supply connected and push the steam room against wall. No use within 24 hours until the silicone is completely dry.