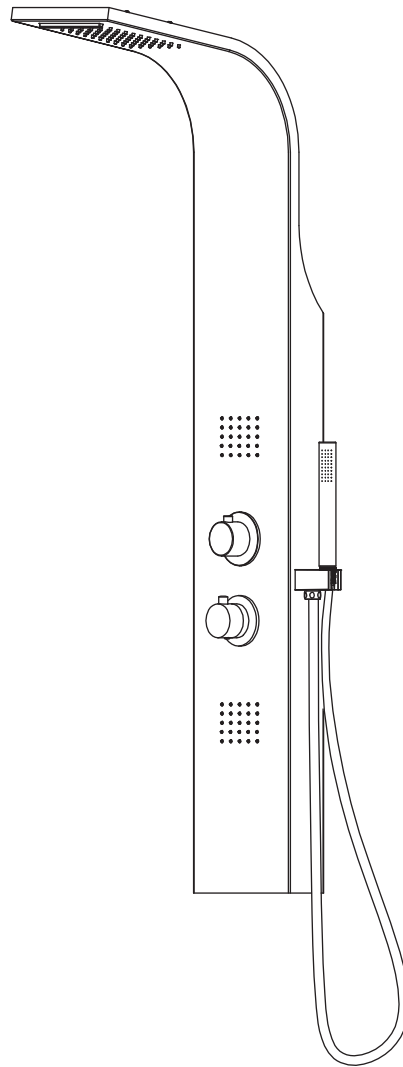




ANZZI™

---

ANCHORAGE  
INSTALL GUIDE



Model#  
SP-AZ038

---

PERFECTION IS OUR TRADITION™

---

# TABLE OF CONTENTS

Parts List	Pg. 1
Before You Start	Pg. 2
Spec Drawing	Pg. 3
Installation	Pg. 4
Care & Maintenance	Pg. 9
Warranty	Pg. 10
Registration	Final Page

## YOUR REVIEWS MATTER!



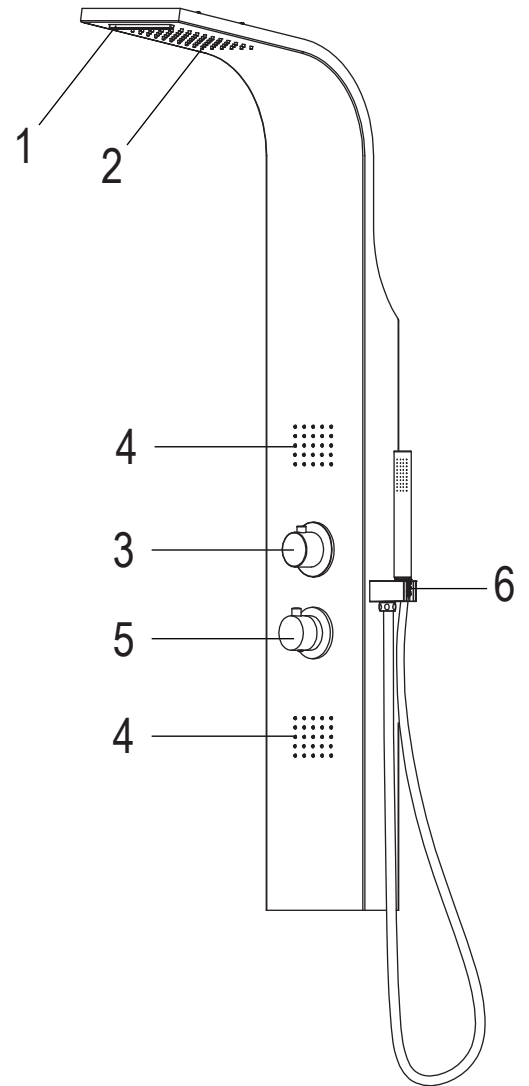
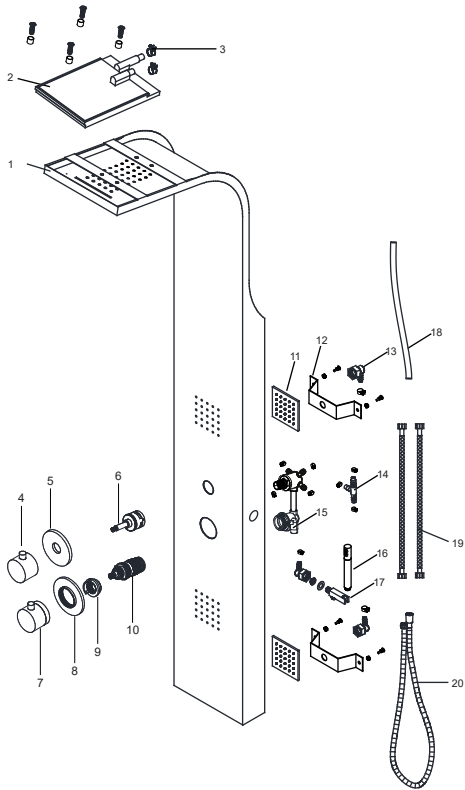
The ANZZI™ Family thanks you for your purchase and hopes you enjoy your very own ANZZI product for years to come! In the meantime let us know about your experience? We would love to hear your thoughts from the packaging to the quality and function of the product.

Leave a review on [www.ANZZI.com/reviews](http://www.ANZZI.com/reviews) and let everyone know how satisfied you are with ANZZI!

Also, we humbly request submitting as many pictures as possible along with your review. Millions of shoppers will want to know about your experience with our products. Don't just tell but show, too!

---

# PARTS LIST



Component no.	Component	Material
1	body	s/s
2	head shower with water fal	ABS
3	clip	s/s
4	knob	zinc
5	knob plate cover	brass
6	function cartridge	ABS
7	handle	zinc
8	handle plate cover	brass
9	valve cap	ABS
10	thermostatic cartridge	ABS
11	body jets	brass
12	fixing bar	s/s
13	one way joint	ABS
14	three way joint	ABS
15	faucet	brass
16	hand shower	ABS
17	hand shower holder	ABS
18	pvc hose	PVC
19	braided hose	s/s
20	flexible hose	s/s

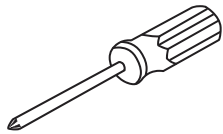
- 1. Waterfall
- 2. Shower Head
- 3. Diverter
- 4. Body Jets
- 5. Mixer
- 6. Hand Shower

PERFECTION IS OUR TRADITION™

---

# BEFORE YOU START

## Recommended Items



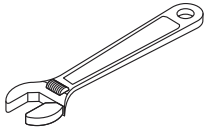
Screwdriver



Channel Locks



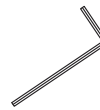
Goggles



Adjustable Wrench



Teflon tape

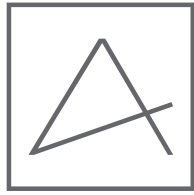


Allen key

ATTENTION: Please read all instructions thoroughly including all warnings, attentions and notes before beginning installation.

---

# SPEC DRAWING



ANZZI™

Perfection is our Tradition™

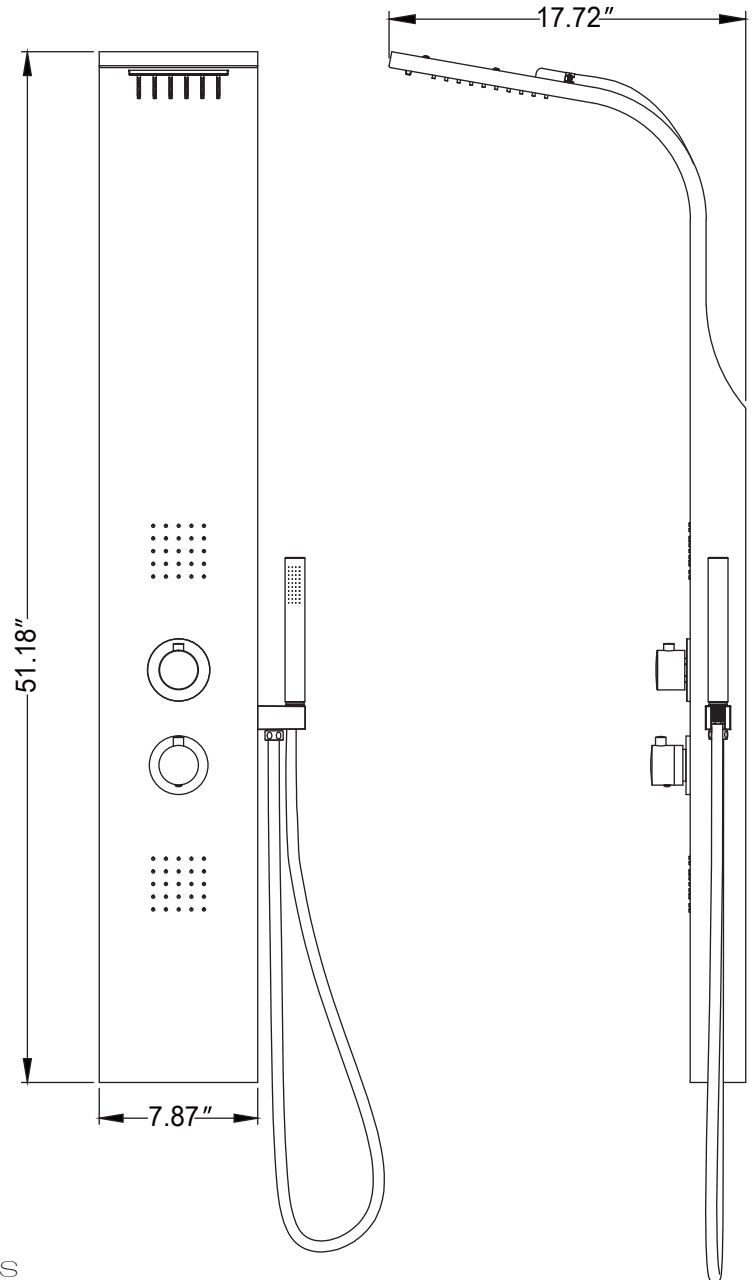
## ANCHORAGE

SP-AZ038

Material: Stainless Steel  
Finish: Brushed  
Handles: 2  
Jets: 2  
Shower: 4.095" x 5.827"  
Sprayer: 60" reach  
Weight: 15.18 lbs  
Height: 51.18"  
Supply: 1/2" connections  
Flow: 1.8 gpm

### Features

Heavy Rain™ Showerhead  
Acu-Stream™ high pressure body jets  
Euro-Grip™ hand held sprayer  
Rhino Alloy™ certified materials



---

PERFECTION IS OUR TRADITION™

---

# INSTALLATION (SETUP)

Figure A



**IMPORTANT** Before drilling any holes for the shower panel brackets, ensure there are no hidden cables or pipelines aligned with the desired drilling position.

**Step A** Drill the two holes for the top bracket 1" apart at the desired height.

**Step A.2** Drill the two holes for the bottom bracket 1" apart at approximately 45" below the top bracket.

---

# INSTALLATION (SETUP)

Figure B



Figure C



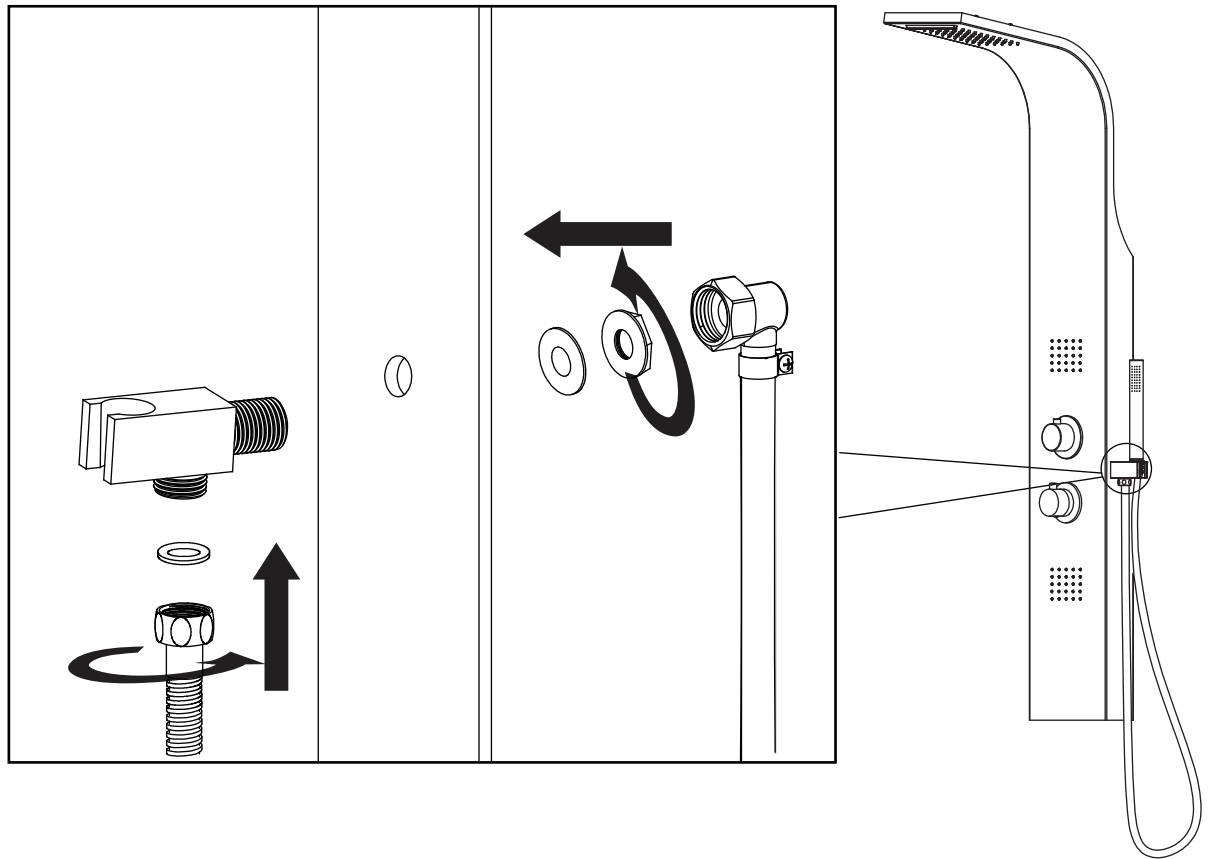
**Step B** Insert the wall anchors into the pre-drilled holes as shown in Figure B.

**Step C** Place the shower panel brackets aligned with the drilled holes and using a Philips screwdriver tighten the screws to secure the brackets.

---

# INSTALLATION (HANDSHOWER)

Figure 1



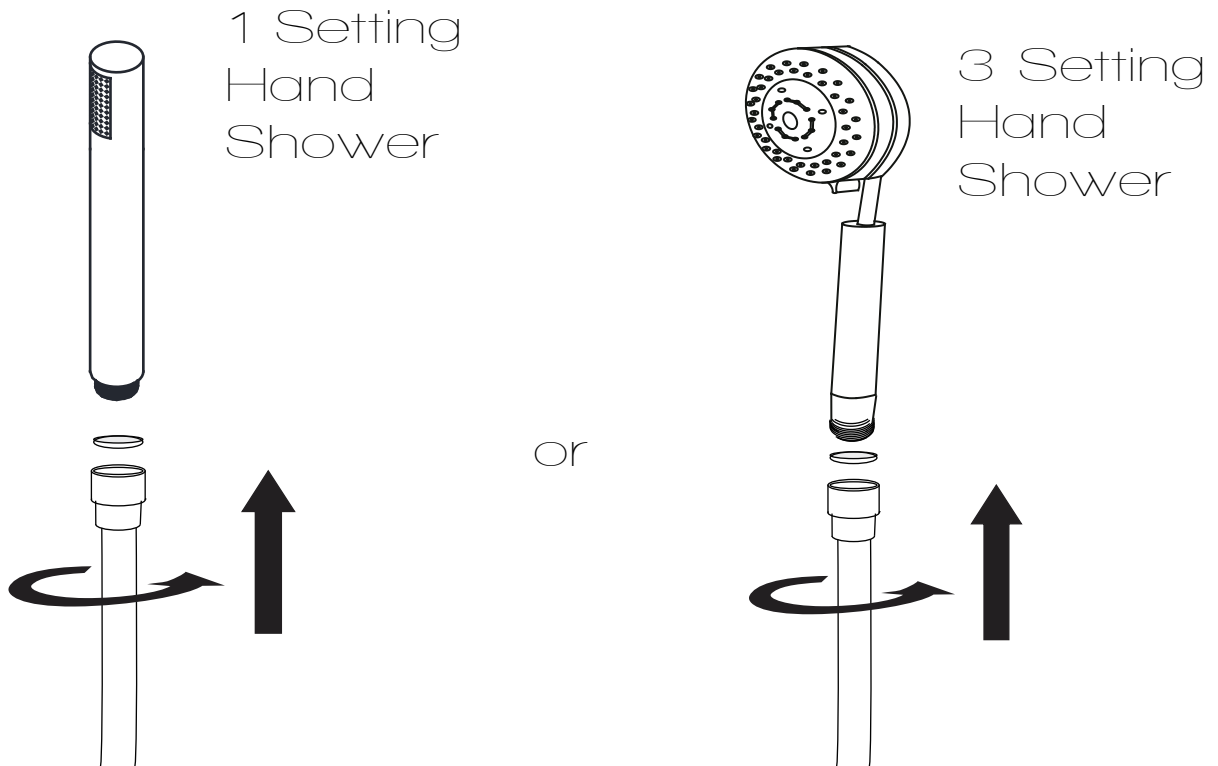
- Step 1A** Insert the shower wand holder through the pre-drilled hole on the shower panel.
- Step 1B** Install the water supply hose for the shower wand onto the holder, as shown.
- Step 1C** Make sure all O-rings are inserted to prevent leakage.
- Step 1D** Once the shower panel is fully installed and hung on the bracket, you can install the shower wand hose to the holder connection.



---

# INSTALLATION (HANDSHOWER)

Figure 2

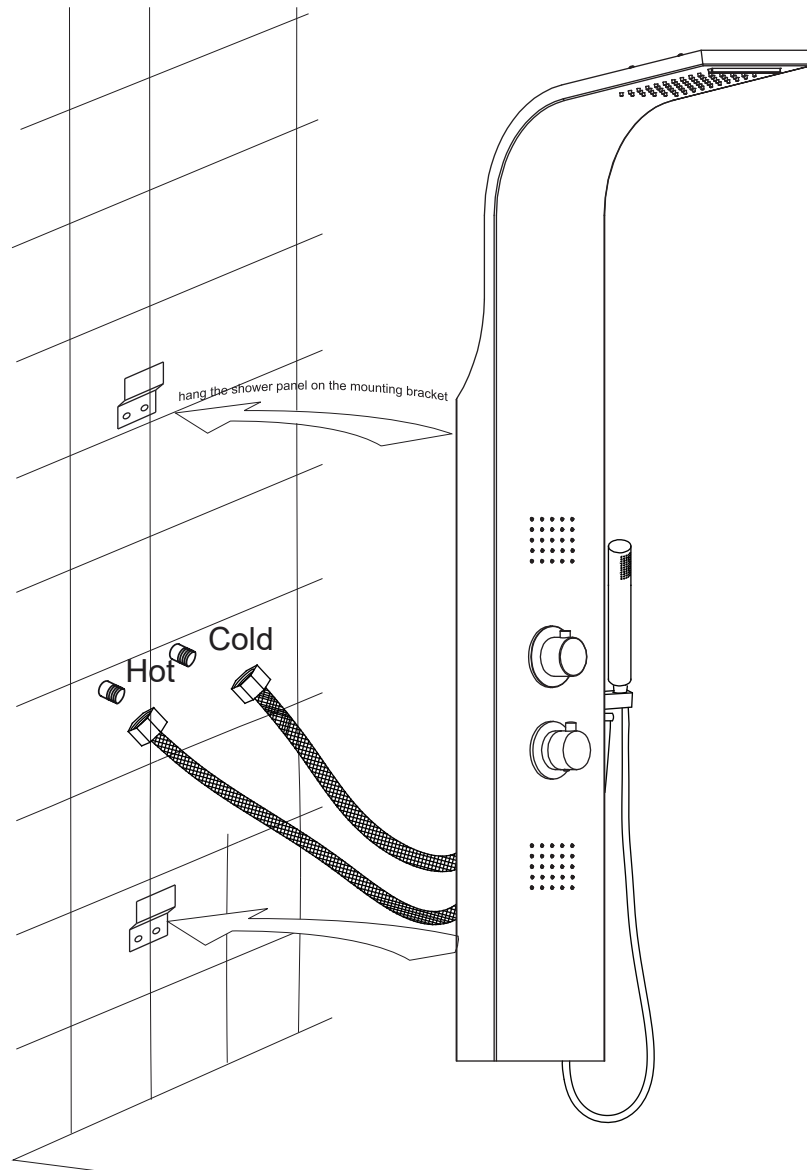


**Step 2A** Finally, install the shower wand to the hose, as shown.

---

# INSTALLATION (WALL MOUNTING)

Figure 4



**Step 4A** Screw the cold and hot water hoses from the shower panel to the supply lines in the wall.

**Step 4B** Carefully hang the shower panel on the secured mounting brackets as shown in Figure 4.

---

PERFECTION IS OUR TRADITION™

---

## CARE AND MAINTENANCE

ANZZI™ products are crafted with superior quality standards and workmanship and are engineered to stand the test of time. However, that does not mean the product can be neglected and will need some care and cleaning.

It is recommended to use regular soap and hot water along with a non-abrasive cloth or sponge to regularly clean the product. This avoids any nasty build up or deposits which would be tougher to remove.

If you feel the use of stronger cleaning solutions or chemicals is necessary always test the cleaning solution or chemical on an inconspicuous area before applying to the entire surface.

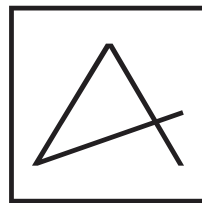
Wipe all surfaces clean and rinse completely with water immediately after applying cleaner. Rinse and dry any overspray that lands on nearby surfaces.

DO NOT ALLOW THE CLEANER TO SOAK.

Following these simple principles will ensure you ANZZI™ product will remain as lustrous and stunning as the day it was first received. ENJOY!

Sincerely,

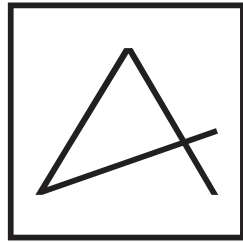
La Familia ANZZI™



ANZZI™

Perfection is our Tradition™

---



ANZZI™

---

Perfection is our Tradition™