



# HEATED TOWEL RACK COLLECTIONS



## ANTUS COLLECTION

STOCKED ITEMS: PAGE 44  
SPECIAL ORDERS: PAGE 48



HARDWIRED ONLY



DRY ELEMENT SYSTEM



DIGITAL HEAT CONTROLLER (INCLUDED)



LEFT-ASSEMBLY SPECIAL ORDER



3-YEAR LIMITED WARRANTY



## JEEVES COLLECTION

STOCKED ITEMS: PAGE 12  
SPECIAL ORDERS: PAGE 21



HARDWIRED ONLY



LIQUID-FILLED SYSTEM



REPLACEABLE HEATING ELEMENT



LEFT-ASSEMBLY AVAILABLE (EXTRA FEE)



10-YEAR LIMITED WARRANTY



REQUIRES SWITCH (NOT INCLUDED)



## TRADITIONAL COLLECTION

STOCKED ITEMS: PAGE 50



HARDWIRED ONLY



LIQUID-FILLED SYSTEM



REPLACEABLE HEATING ELEMENT



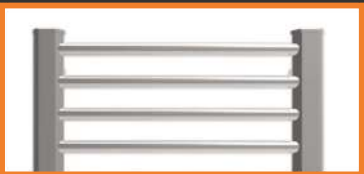
LEFT-ASSEMBLY AVAILABLE (EXTRA FEE)



3-YEAR LIMITED WARRANTY



REQUIRES SWITCH (NOT INCLUDED)



## SIRIO COLLECTION

STOCKED ITEMS: PAGE 22  
SPECIAL ORDERS: PAGE 27



HARDWIRED ONLY



DRY ELEMENT SYSTEM



DIGITAL HEAT CONTROLLER (INCLUDED)



LEFT-ASSEMBLY SPECIAL ORDER



3-YEAR LIMITED WARRANTY



## RADIANT COLLECTION

STOCKED ITEMS: PAGE 54



HARDWIRED



PLUG-IN



DRY ELEMENT SYSTEM



2-YEAR LIMITED WARRANTY



INTEGRATED SWITCH



## QUADRO COLLECTION

STOCKED ITEMS: PAGE 30  
SPECIAL ORDERS: PAGE 35



HARDWIRED ONLY



DRY ELEMENT SYSTEM



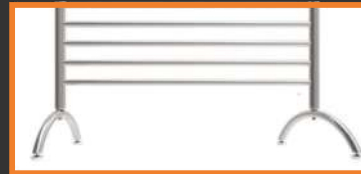
DIGITAL HEAT CONTROLLER (INCLUDED)



LEFT-ASSEMBLY SPECIAL ORDER



3-YEAR LIMITED WARRANTY



## SOLO COLLECTION

STOCKED ITEMS: PAGE 62



PLUG-IN ONLY



DRY ELEMENT SYSTEM



FREESTANDING



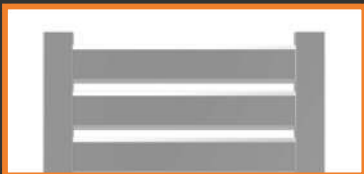
ADJUSTABLE HEIGHT LEGS



2-YEAR LIMITED WARRANTY



INTEGRATED SWITCH



## VEGA COLLECTION

STOCKED ITEMS: PAGE 38



HARDWIRED ONLY



DRY ELEMENT SYSTEM



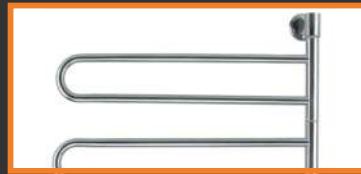
DIGITAL HEAT CONTROLLER (INCLUDED)



LEFT-ASSEMBLY SPECIAL ORDER



3-YEAR LIMITED WARRANTY



## SWIVEL COLLECTION

STOCKED ITEMS: PAGE 64



PLUG-IN ONLY



DRY ELEMENT SYSTEM



2-YEAR LIMITED WARRANTY



INTEGRATED SWITCH

# ABOUT US



When Amba's founder arrived in the USA from South Africa in 1992 there were many lifestyle changes to acclimate to. One of these differences most South African's (and Europeans in general) enjoy is the use of radiators to warm rooms, and also act as a warming rack for their towels. With a majority of homes running on HVAC units, the average homeowner in the United States wouldn't even have the knowledge of the heated towel rack, let alone include one in their bathrooms.


Having searched far and wide for a heated towel rack, only to find what was available was overpriced, inefficient, and badly-designed, our founder decided that it was time to introduce North America to more accessible options, and to make heated towel racks a standard part of any bathroom design.

Over the past 17 years we've been proud to be one of the first to introduce stylish, affordable, high-end Heated Towel Racks made of the highest quality stainless steel in a variety of finishes. We serve retailers and customers throughout the United States, Canada, Mexico and the Caribbean, with over 2,600 showrooms and a variety of web retailers carrying our products.

Amba's exclusive product ranges are designed with residential and commercial customers in mind. We offer over 150+ unique models, all in stock for quick delivery throughout North America. For those with specific needs we offer a range of special order sizes and finishes to fit any project.

Our dedicated employees have a collective 75 years of experience with Heated Towel Racks, and always go above and beyond to assist our customers: whether its servicing orders or helping with product selection, you'll always speak with a real person when calling us!

# WHAT ARE HEATED TOWEL RACKS



Heated Towel Racks have many different names: Towel Warmers, drying racks or even towel rail radiators. No matter the name, each offers the user a place to hang, dry AND warm their towels. Replace robe hooks and standard towel bars with a more functional and practical product!

**ENJOY A WARM TOWEL  
STRAIGHT OFF THE RACK**

**ENSURE TOWELS DO NOT  
STAY DAMP AFTER USE**

**REDUCE LAUNDRY LOADS BY  
KEEPING TOWELS FRESH**

## BATHROOMS

Heated Towel Racks replace your standard towel bars and provide your bathroom with a stylish and functional upgrade — Step out of your shower and into a warm, fluffy towel! Hang up your wet towels knowing that they will dry out quickly and efficiently. Save your bathrooms from that damp, moldy smell while reducing the need to wash towels as frequently! Larger Heated Towel Racks can even function as space heaters for colder bathrooms and help to reduce humidity. There are other areas of the home that can benefit from a Heated Towel Rack:

## LAUNDRY ROOMS

Heated Towel Racks can safely dry jeans or more delicate items — some models include a digital heat controller for precise heat control.

## MUD ROOMS

From wet suits and bathing suits to ski jackets and mittens. Give them a place to dry out with a Heated Towel Rack, saving a trip to the laundry hamper!

## POOLS & SPAS

Dry towels and bathing suits for a pool day, or warm bathrobes for that relaxing and much needed spa day.

## NOT ALL HEATED TOWEL RACKS ARE CREATED EQUAL:

There are two main factors which influence how well a Heated Towel Rack performs: total heated surface area and maximum temperature. More bars and closer spacing will result in a faster drying time. The higher the temperature range the warmer and cozier the towel can feel. Models with more bars spaced closer together will result in a warmer towel throughout. Compare a rack's temperature range and configuration of bars to make sure you select the heated towel rack for your needs.

## DRYING RACKS

These models offer a stylish place to hang and dry towels - but usually have fewer bars or greater spacing between them. They will keep towels smelling fresh and clean, but will not be as effective at heating towels compared to other models.

# HOW DO THEY WORK?



## LF LIQUID-FILLED SYSTEM:

These Heated Towel Racks are filled with a water/glycol mixture. A heating element heats the liquid which then heats the bars. As the liquid warms, it rises, heating the unit from the top down until the entire rack reaches its maximum temperature. This technology will take longer to heat compared to a dry-element system, but is more energy efficient and has a replaceable heating element.

LIQUID-FILLED COLLECTIONS:  
JEEVES | TRADITIONAL

## DE DRY-ELEMENT SYSTEM:

Also known as 'cable-heated' systems, these Heated Towel Racks have a resistance wire running through all horizontal and vertical bars. During operation, the wire gives off heat which is transferred to the bars and then the towels. These units heat up evenly and quickly in about 10-15min. All include on/off switches and some even allow temperature control.

DRY-ELEMENT COLLECTIONS:  
RADIANT | SIRIO | QUADRO | VEGA  
ANTUS | SOLO | SWIVEL

## H HYDRONIC UNITS: SPECIAL ORDER ONLY

Not to be confused with liquid-filled models, hydronic units connect to an open or closed loop system and has hot water running through the unit. This is the same way traditional 'radiators' function — there is no electrical connection to heat the bars. The heat output of hydronic units will depend on the temperature of the water.

These units will require a valve kit which is sold separately.

## HYDRONIC SPECIAL ORDER COLLECTIONS:

JEEVES | SIRIO | QUADRO | ANTUS  
12-14 LEAD TIME | VALVE KIT SOLD SEPARATELY

FOR MORE INFORMATION VISIT:  
[ambaproducts.com/hydronic](http://ambaproducts.com/hydronic)

## WHAT ARE THEY MADE OF?

The majority of our Heated Towel Racks are made with the finest 304-grade stainless-steel — this high-quality metal is more resistant to rust and corrosion, perfect for the moisture-filled conditions in which you usually find Heated Towel Racks. If cleaned and maintained properly, our models can remain pristine for many years.

Traditional Collection models are made with high-quality mild steel due to the design requirements for of the finials.



## HOW LONG DOES IT TAKE TO WARM A TOWEL?

As your Heated Towel Rack warms up, it starts to transfer heat to the towel - how long this process takes will depend on the heating technology (Dry Element vs Liquid Filled), how many bars are in contact with the towel and finally the ambient temperature where it is installed. Our Heated Towel Racks are all designed and safe to be left running 24 hours a day. This eliminates the chance of not having a warm, dry towel when desired. Some users choose to connect a programmable or countdown timer to the unit. When using a separate timer, please allow sufficient time for the unit to reach its operating temperature as well as warm your towel. We recommend about 30min + the length of time that specific collection/model takes to heat up.

### AMBIENT TEMPERATURE

RACKS WILL TAKE LONGER TO HEAT IN COLDER ROOMS

### HEATING TECHNOLOGY

DRY ELEMENT MODELS HEAT FASTER THAN LIQUID FILLED

### TOWEL THICKNESS

THICKER TOWELS WILL TAKE LONGER TO HEAT UP

### SURFACE AREA

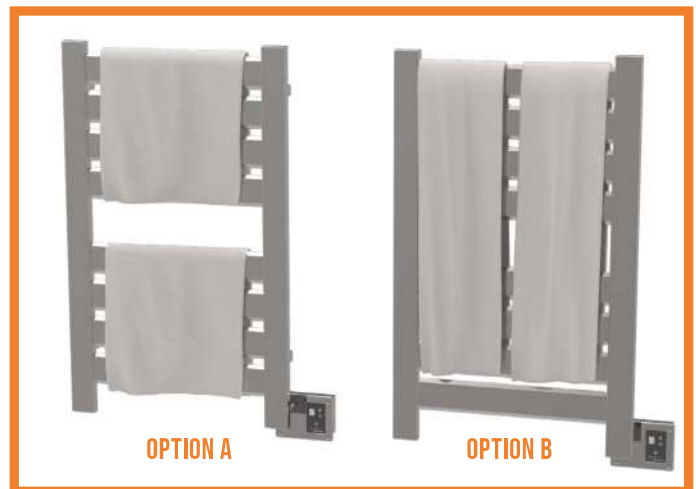
MORE BARS TOUCHING A TOWEL MEANS FASTER HEAT TRANSFERS



Jeeves Model D [53" tall] with 5 full-sized bath towels — make sure you choose the best size for how many towels you use

## WHAT IS THE BEST WAY TO HANG TOWELS?

To get the most out of a Heated Towel Rack, you want to maximize the surface area contact between the towel and bars. For a typical 2-towel set up on a 20-24" wide model, there are two methods that work well: A) Fold towel in half or thirds width wise (depending on the size) and hang over the top bar, repeat with the second towel on the bottom set of bars; B) Fold the towels length wise in half and hang over the top bar, repeat with second towel side by side. By folding and hanging the towels like this, you create layers which helps retain heat.



TWO EXAMPLES OF HOW TO HANG TOWELS EFFICIENTLY



Some models, like those in the Radiant and Solo collections, are specifically designed to hold 1–2 towels: it is important not to overload these units as it can cause heat to build up and may cause towel discoloration

See individual models for number of towels recommended

# CONTROLS - ALL COLLECTIONS

There are many ways to control your Heated Towel Rack: Turn your Heated Towel Rack on and off, or control when and for how long it stays on for with our range of control accessories. Even if your model features an integrated switch, these extra controls can help optimize your usage or add extra convenience. Controllers on this page are sold separately.



**PROGRAMMABLE  
TIMER**

**ATW-T24**      BLACK COLOR  
CHANGE KIT:  
**ATW-T24-BL**

HARDWIRED

5 YEAR LIMITED WARRANTY

DOES NOT INCLUDE COVER PLATE

## 7 DAY / 24 HOUR PROGRAMMABLE TIMERS

Program your Heated Towel Rack to turn on and off based on your schedule.

We recommend programming these timers to turn the unit on 1-2 hours before you intend to use your towel, and to turn off 1-2 hours after — This allows sufficient time for the unit to reach its top temperature to best warm and dry your towel.



**PROGRAMMABLE  
TIMER**

**ATW-P24**

PLUG-IN

1 YEAR LIMITED WARRANTY

Both timers work the same way and can be set to manual mode, making them operate like a standard on/off switch.

Hardwired Programmable Timer Includes Light Almond / Ivory / White control panel cover options.



**WIFI SMART  
SWITCH**

**ATW-SS**      BLACK COLOR  
CHANGE KIT:  
**ATW-SS-BL**

HARDWIRED

2 YEAR LIMITED WARRANTY

## WIFI SMART SWITCH

Program Heated Towel Racks to turn on and off using your smart device. Recommended for those with regular schedules looking to automate their bathroom routine. Use your voice with Hey Google, Amazon Alexa or Apple Siri to control connected devices. Use the My Leviton app on a smartphone, tablet or computer to control and adjust schedules when away from home or anywhere you have access to the Internet.



**COUNTDOWN  
TIMER**

**ATW-CDT**      BLACK COLOR  
CHANGE KIT:  
**ATW-CDT-BL**

HARDWIRED

5 YEAR LIMITED WARRANTY

DOES NOT INCLUDE COVER PLATE

## COUNTDOWN TIMER

Turn your Heated Towel Rack on for a specific amount of time: 2, 4, 8, or 12 hours — great for those who do not want to leave their units on continuously. The unmarked button operates as a standard on/off switch.

Includes Light Almond / Ivory / White control panel cover options.



**PILOT LIGHT  
SWITCH**

**WHITE:  
ATW-S-W**      **ALMOND:  
ATW-S-A**

HARDWIRED

10 YEAR LIMITED WARRANTY

DOES NOT INCLUDE COVER PLATE

## PILOT LIGHT SWITCH

A rocker-style on/off switch with indicator light — know if your Heated Towel Rack is on from a glance. This control pairs well with Jeeves and Traditional Collection models, which do not have integrated switches.

Available in Almond / White

# DIGITAL HEAT CONTROLLER

## SIRIO | QUADRO | VEGA | ANTUS



### DIGITAL HEAT CONTROLLER

ATW-DHC-P  
ATW-DHC-B  
ATW-DHC-MB  
ATW-DHC-O  
ATW-DHC-W  
ATW-DHC-SB



### REMOTELY WIRED DIGITAL HEAT CONTROLLER

ATW-DHCR-P  
ATW-DHCR-B  
ATW-DHCR-MB  
ATW-DHCR-O  
ATW-DHCR-W  
ATW-DHCR-SB

MAX ELECTRICAL LOAD: UP TO 1200 WATTS | 10 AMPS

### DIGITAL HEAT CONTROLLER

These controllers allow control of heat with nine different settings. It also functions as a standard on/off switch. Adjust the heat level with a push of a button allowing for flexible use of your Heated Towel Rack under any condition! Turn down the heat level to dry delicates like silk or turn it up to get a quick blast of warmth before a shower or bath. While we highly recommend using the Digital Heat Controller with all included models, it is possible to use a standard single gang box push-button switch instead. [Sold separately].

### REMOTELY-WIRED DIGITAL HEAT CONTROLLER

The optional Remotely Wired Digital Heat Controller [DHC] provides the same function as the standard DHC, but with the convenience of being able to locate it separate from the unit. Whether its to the side or on an opposite wall, the only limitation is connecting the wires to the unit behind the wall. This model would replace the standard DHC with a blank cover plate behind the unit and the Remote DHC box to be located where desired.



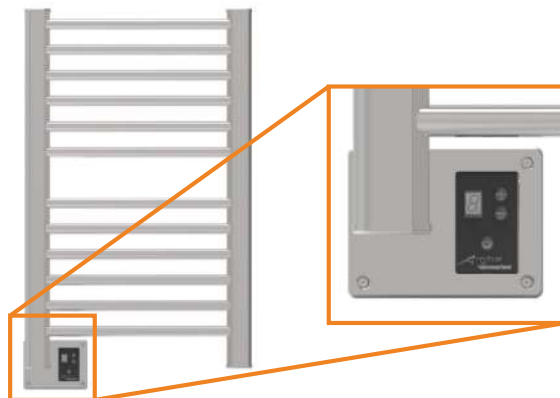
### DIGITAL HEAT CONTROLLER



### REMOTELY-WIRED DIGITAL HEAT CONTROLLER

BOTH THE DIGITAL HEAT CONTROLLER AND REMOTELY WIRED DIGITAL HEAT CONTROLLER CAN BE WIRED WITH TIMERS FOR ADDED CONTROL.

THE DIGITAL HEAT CONTROLLER IS NOT COMPATIBLE WITH:  
JEEVES | SOLO | SWIVEL | TRADITIONAL | RADIANT



For left side electrical requests, the orientation of the DHC does not change, it is simply moved to the lower left side of the unit.



# FINISHES

WE OFFER A WIDE RANGE OF FINISHES FOR EACH OF OUR HEATED TOWEL RACK COLLECTIONS TO ACCOMPANY ANY STYLE. FINISH AVAILABILITY WILL DEPEND ON THE COLLECTION WE DO OFFER SOME FINISHES AS SPECIAL ORDER OPTIONS.



	POLISHED (P)	BRUSHED (B)	MATTE BLACK (MB)	OIL-RUBBED BRONZE (O)	GLOSSY WHITE (W)	SATIN BRASS (SB)	POLISHED GOLD (PG)	POLISHED NICKEL (PN)	BRUSHED NICKEL (BN)	CUSTOM COLOR (RAL)
JEEVES	✓	✓	✓	✓	✓					
SIRIO	✓	✓	✓ <sup>S</sup>	✓	✓ <sup>S</sup>	✓	✓ <sup>S</sup>			✓ <sup>S</sup>
QUADRO	✓	✓	✓	✓ <sup>S</sup>	✓ <sup>S</sup>	✓ <sup>S</sup>	✓ <sup>S</sup>			✓ <sup>S</sup>
VEGA	✓	✓	✓	✓ <sup>S</sup>	✓	✓ <sup>S</sup>	✓ <sup>S</sup>			✓ <sup>S</sup>
ANTUS	✓	✓								
RADIANT	✓	✓	✓ <sup>+</sup>			✓ <sup>+</sup>	✓ <sup>+</sup>			
SOLO	✓	✓	✓							
SWIVEL	✓	✓								
TRADITIONAL								✓	✓	

## ✓ STOCKED ITEM

Finish is stocked for all models in this collection

## ✓<sup>S</sup> SPECIAL ORDER

Finish is available as a special order for all models

Carries a 12–16 week lead time, upcharge based upon finish and model.

## ✓<sup>+</sup> MODEL-SPECIFIC

Finish is only available in select models within this collection

See collection page for details on included models.



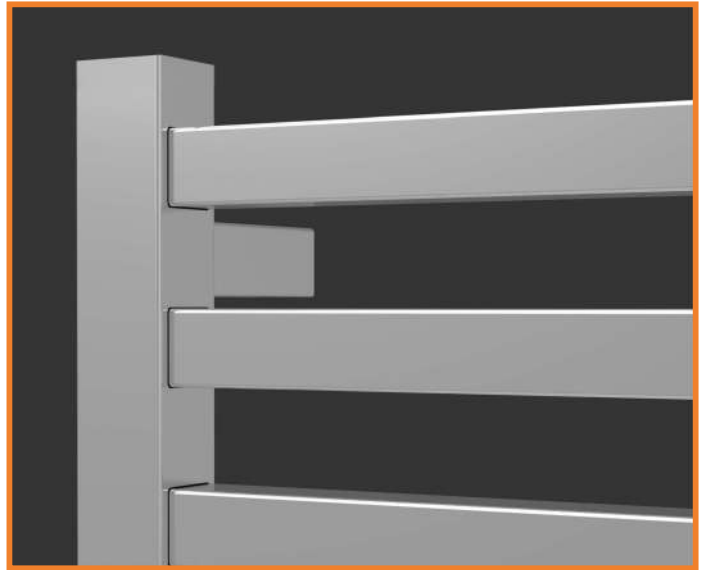
RAL Colors, the European equivalent to Pantone Colors, are available in the Sirio, Quadro & Vega Collections.

WE ALSO OFFER PVD FINISHES AND CAN MATCH MANY MANUFACTURER'S FINISHES. PRICING AND LEAD TIME UPON REQUEST.

# BAR STYLES



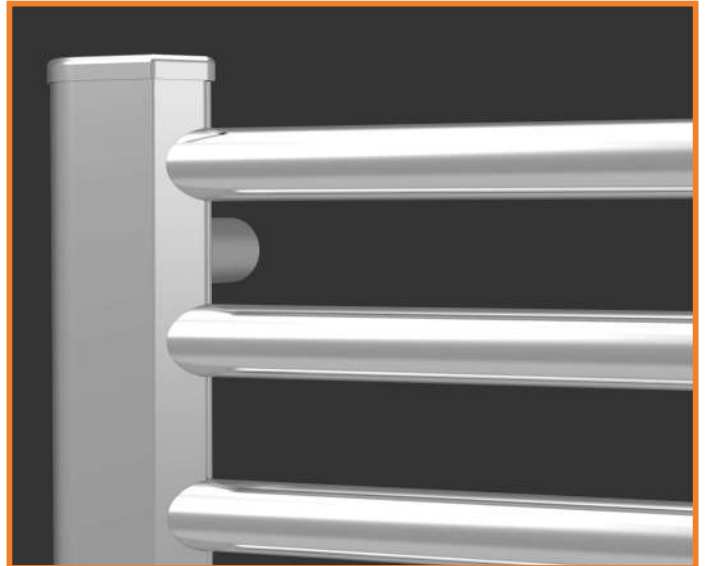
CYLINDRICAL BARS – JEEVES / ANTUS  
RADIANT / SOLO



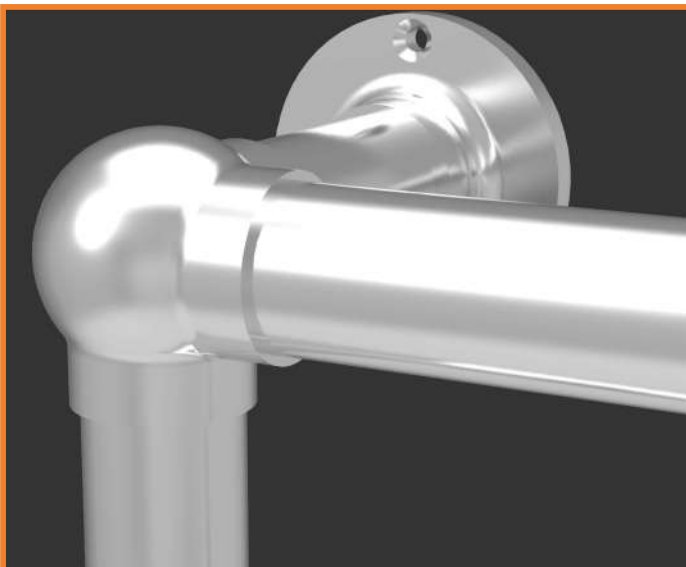
SQUARE BARS – QUADRO / RADIANT



PANEL BARS – VEGA



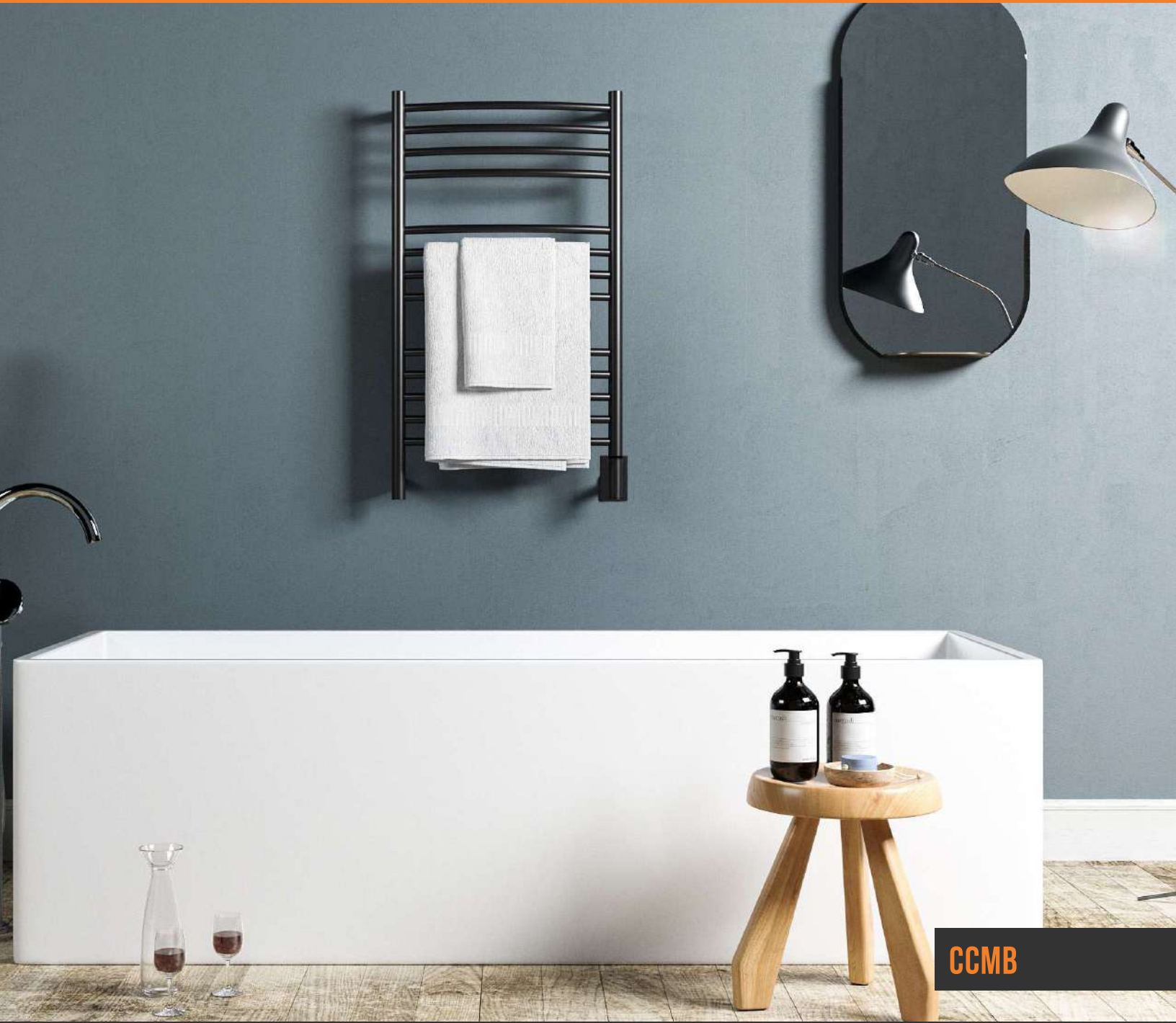
CHAMFERED-EDGE BARS – SIRIO



FINIAL ACCENTS – TRADITIONAL



# JEEVES COLLECTION



**CCMB**



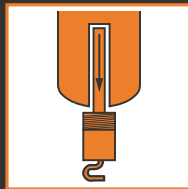
**HARDWIRED**



**10-YEAR LIMITED WARRANTY**



**LEFT-ASSEMBLY AVAILABLE (EXTRA FEE)**



**REPLACEABLE HEATING ELEMENT**



**LIQUID-FILLED SYSTEM**



**REQUIRES SWITCH OR TIMER (NOT INCLUDED)**

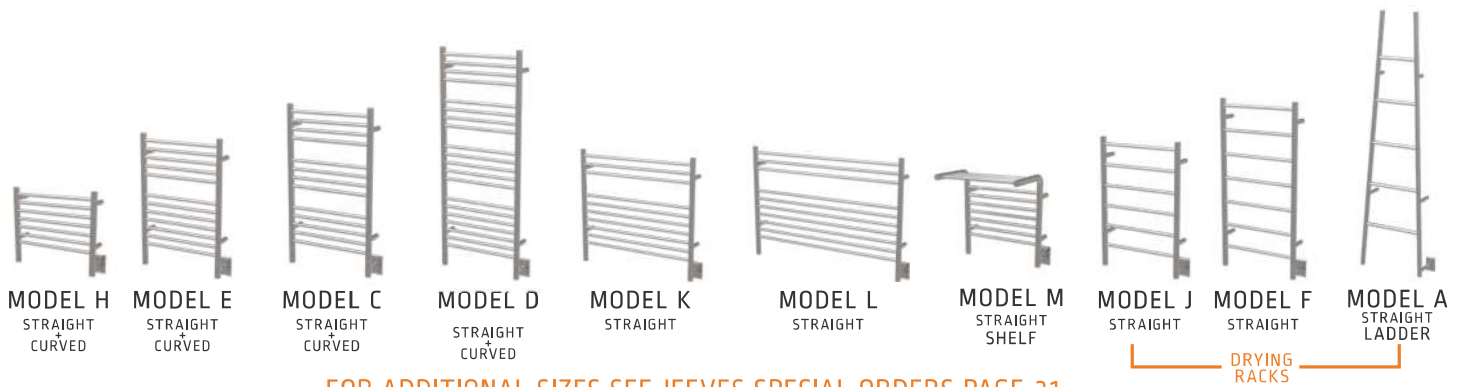
**110 VOLT**  
STANDARD VOLTAGE

**145°F–154°F**  
AVERAGE TEMP RANGE

**15–45M**  
WARM-UP TIME

**304-GRADE STAINLESS STEEL**

STOCKED ITEMS: PAGE 13  
SPECIAL ORDER ITEMS: PAGE 21



FOR ADDITIONAL SIZES SEE JEEVES SPECIAL ORDERS PAGE 21

	BARS	MAX # TOWELS	WIDTH	HEIGHT	DEPTH	WATTAGE*	AMPS*	BTUS
MODEL H	7	1	21 1/4"	18 3/4"	4 1/2" or 6 1/2"	60-80	0.5-0.75	273
MODEL E	12	2	21 1/4"	31 3/4"	4 1/2" or 6 1/2"	150-175	1.35-1.6	597
MODEL C	13	3	21 1/4"	36 3/4"	4 1/2" or 6 1/2"	150-175	1.35-1.6	597
MODEL D	20	6	21 1/4"	53 3/4"	4 1/2" or 6 1/2"	240	2.2	818
MODEL K	10	3	30 1/4"	27 3/4"	4 1/2"	150-175	1.35-1.6	597
MODEL L	10	4	40 1/4"	27 3/4"	4 1/2"	200	1.8	682
MODEL M [SHELF]	11	3	21 1/4"	22 3/4"	15 1/4"	135	1.25	460
MODEL J	6	2	21 1/4"	31 3/4"	4 1/2"	60-80	0.5-0.75	273
MODEL F	7	2	21 1/4"	41 3/4"	4 1/2"	135	1.25	460
MODEL A [LADDER]	5	3	21 1/4"	75 1/8"	6 7/8"	135-150	1.25-1.35	597

\*WATTAGE AND AMPERAGES VARY BY FINISH. COLORED FINISHES [MATTE BLACK, ORB & WHITE] MAY HAVE HIGHER WATTAGES TO ACCOUNT FOR COATING OF BARS.

**FINISHES**



The Jeeves Collection is our flagship Heated Towel Rack – a timeless hardwired towel warmer design that is efficient, reliable, and long-lasting. These liquid-filled towel racks can easily accommodate large towels, and make the perfect addition to any style of bathroom. All Jeeves models self-regulate to maintain the ideal internal temperature while reducing power consumption. These units have the benefit of a replaceable heating element and can be wired on the left side as well. Requires a switch or timer to control which can be purchased separately.

MODEL: **DCB**  
 MODEL D  
 BAR STYLE: **CURVED**  
 FINISH: **BRUSHED**

Each of the Jeeves Collection models SKU reflects the model, choice of curved or straight bars, and finish.

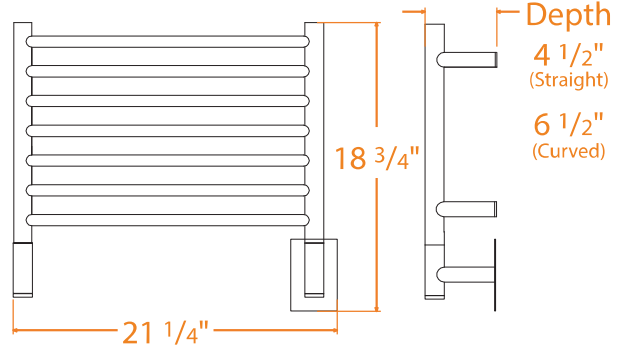
SKU: MODEL + BAR STYLE + FINISH



STRAIGHT

CURVED

7 BARS  
FITS 1 TOWEL



## MODEL H

ELECTRICAL

HEAT OUTPUT

W: 21 1/4"	60-80 watts	BTUs
H: 18 3/4"	0.5 – 0.75 amps	273

**SKUs**

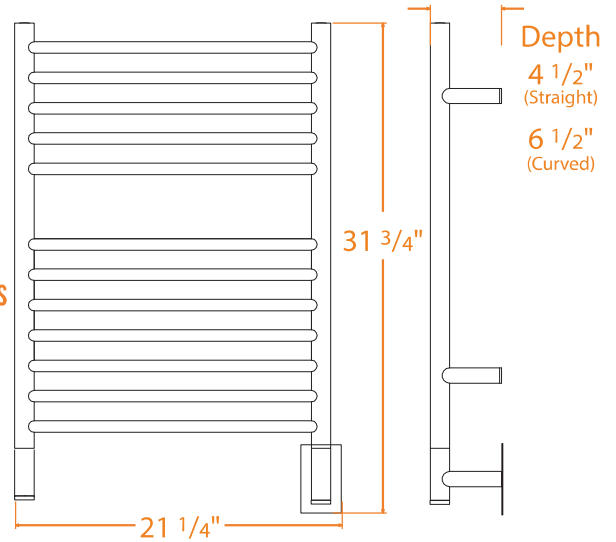
STRAIGHT:	HSP	HSB	HSMB	HSO	HSW
CURVED:	HCP	HCB	HCMB	HCO	HCW



STRAIGHT

CURVED

12 BARS  
FITS 2 TOWELS



## MODEL E

ELECTRICAL

HEAT OUTPUT

W: 21 1/4"	150-175 watts	BTUs
H: 31 3/4"	1.35 – 1.6 amps	597

**SKUs**

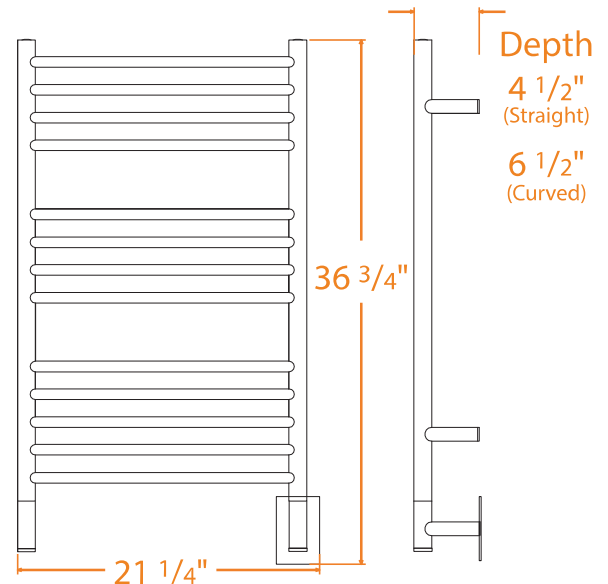
STRAIGHT:	ESP	ESB	ESMB	ESO	ESW
CURVED:	ECP	ECB	ECMB	ECO	ECW



STRAIGHT

CURVED

13 BARS  
FITS 3 TOWELS



## MODEL C

ELECTRICAL

HEAT OUTPUT

W: 21 1/4"	150-175 watts	BTUs
H: 36 3/4"	1.35 – 1.6 amps	597

**SKUs**

STRAIGHT:	CSP	CSB	CSMB	CSO	CSW
CURVED:	CCP	CCB	CCMB	CCO	CCW

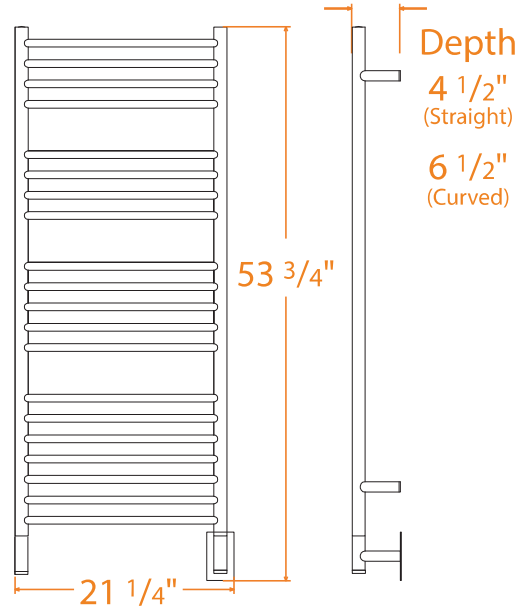


STRAIGHT



CURVED

20 BARS  
FITS 6 TOWELS



### MODEL D

#### ELECTRICAL

W: 21 1/4"  
H: 53 3/4"

240 watts  
2.2 amps

#### HEAT OUTPUT

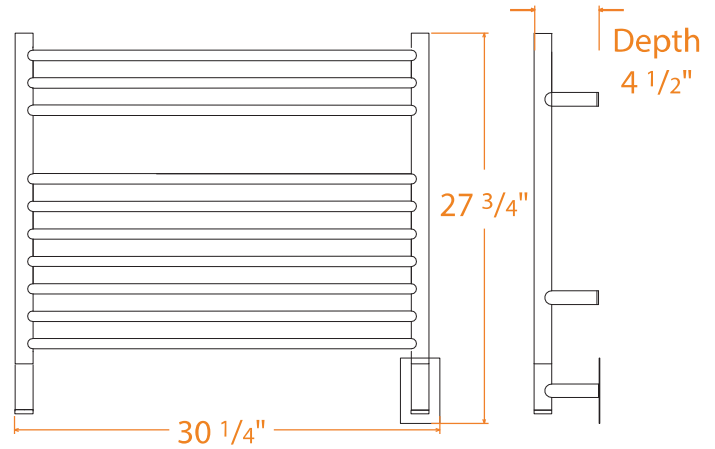
BTUs  
818

#### SKU<sub>s</sub>

STRAIGHT: DSP DSB DSMB DSO DSW  
CURVED: DCP DCB DCMB DCO DCW



10 BARS  
FITS 3 TOWELS



### MODEL K

#### ELECTRICAL

W: 30 1/4"  
H: 27 3/4"

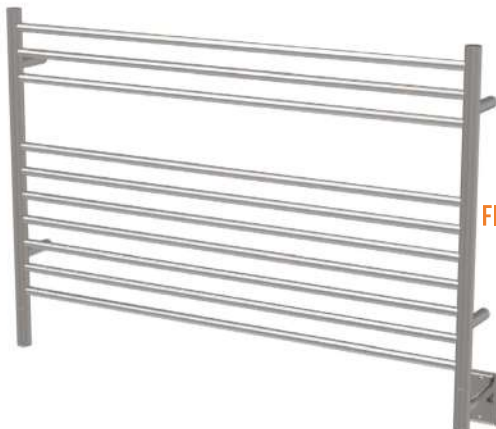
150–175 watts  
1.35–1.6 amps

#### HEAT OUTPUT

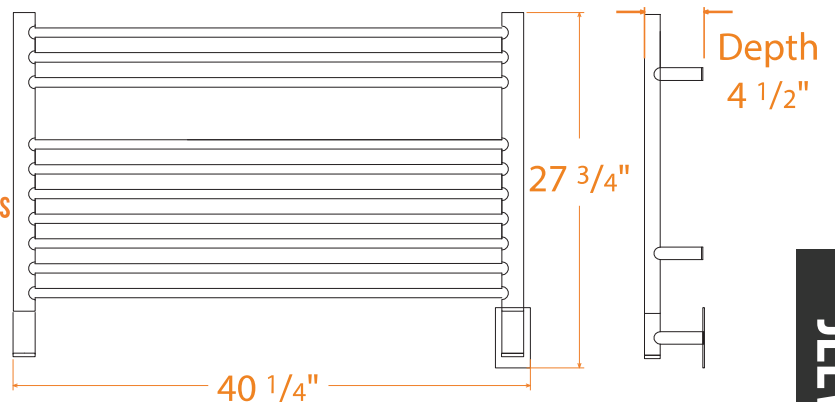
BTUs  
597

#### SKU<sub>s</sub>

KSP KSB KSMB KSO KSW



10 BARS  
FITS 4 TOWELS



### MODEL L

#### ELECTRICAL

W: 40 1/4"  
H: 27 3/4"

200 watts  
1.8 amps

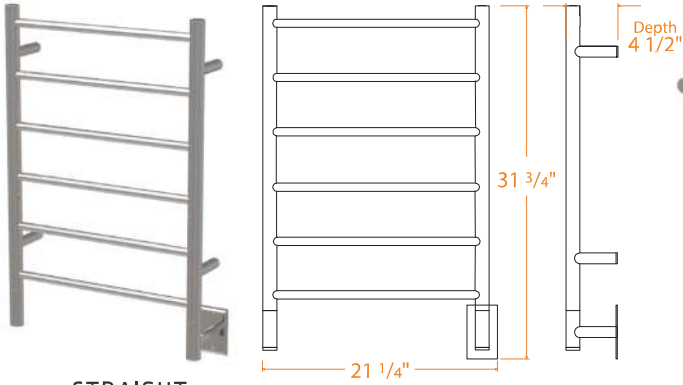
#### HEAT OUTPUT

BTUs  
682

#### SKU<sub>s</sub>

LSP LSB LSMB LSO LSW

**6 BARS  
FITS 2 TOWELS  
DRYING RACK**

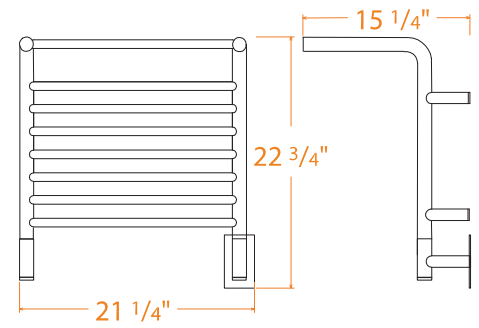


STRAIGHT

**11 BARS  
FITS 3 TOWELS**



STRAIGHT  
SHELF



## MODEL J

### ELECTRICAL

### HEAT OUTPUT

W: 21 1/4"      60-80 watts      BTUs  
H: 31 3/4"      0.5 – 0.75 amps      273

**SKU<sub>s</sub>** STRAIGHT: JSP JSB JSMB JSO JSW

## MODEL M

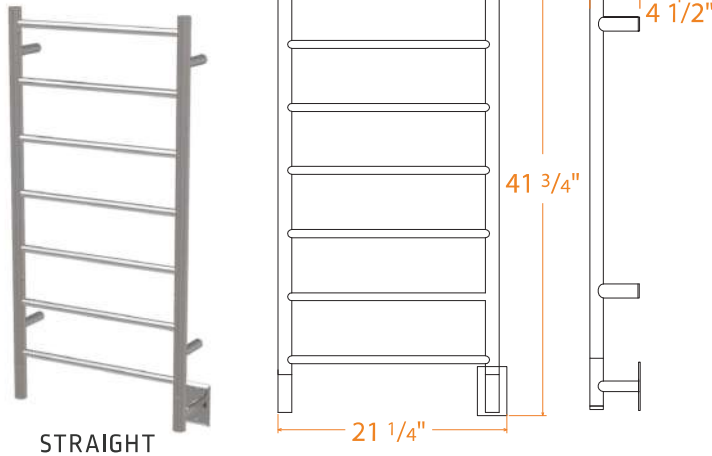
### ELECTRICAL

### HEAT OUTPUT

W: 21 1/4"      135 watts      BTUs  
H: 22 3/4"      1.36 amps      460

**SKU<sub>s</sub>** STRAIGHT: MSP MSB MSMB MSO MSW

**7 BARS  
FITS 2 TOWELS  
DRYING RACK**

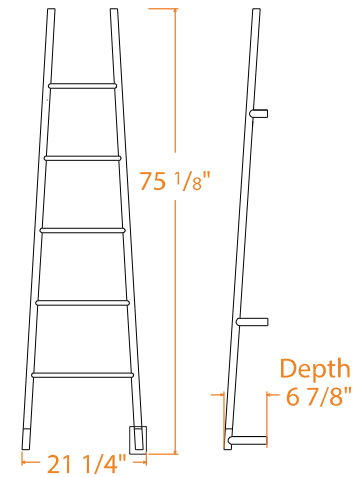


STRAIGHT

**5 BARS  
FITS 3 TOWELS  
DRYING RACK**



STRAIGHT  
LADDER



## MODEL F

### ELECTRICAL

### HEAT OUTPUT

W: 21 1/4"      135 watts      BTUs  
H: 41 3/4"      1.25 amps      460

**SKU<sub>s</sub>** STRAIGHT: FSP FSB FSMB FSO FSW

## MODEL A

### ELECTRICAL

### HEAT OUTPUT

W: 21 1/4"      135–150 watts      BTUs  
H: 75 1/8"      1.25–1.35 amps      597

**SKU<sub>s</sub>** STRAIGHT: ASP ASB ASMB ASO ASW

## DRYING RACKS

With fewer bars and larger spacing, these models are considered 'Drying Racks' and may not be capable of heating larger towels as efficiently as other models in the Jeeves Collection.

PLEASE NOTE - PRODUCT SPECS ARE SUBJECT TO CHANGE WITHOUT NOTICE - PLEASE REFER TO FULL TECHNICAL DRAWINGS ON WEBSITE FOR ACCURATE DIMENSIONS

# ACCESSORIES

SOLD SEPARATELY



DOES NOT INCLUDE COVER PLATE

## PROGRAMMABLE TIMER



HARDWIRED

ATW-T24

BLACK COLOR  
CHANGE KIT:  
ATW-T24-BL

5 YEAR LIMITED WARRANTY

A 7-Day / 24-Hour Programmable Hardwired timer that allows you to set specific times of day when your heated towel rack turns on and off. Includes Light Almond / Ivory / White panel cover options.



## WIFI SMART SWITCH



HARDWIRED

ATW-SS

BLACK COLOR  
CHANGE KIT:  
ATW-SS-BL

2 YEAR LIMITED WARRANTY

Program your Heated Towel Rack to turn on and off using a smart device. Works with the My Leviton App to sync with optional Amazon Alexa or Google Assistant.



DOES NOT INCLUDE COVER PLATE

## COUNTDOWN TIMER



HARDWIRED

ATW-CDT

BLACK COLOR  
CHANGE KIT:  
ATW-CDT-BL

5 YEAR LIMITED WARRANTY

A timer that operates for a specific duration and then turns off — Features 2/4/8/12 hour duration options. Includes Light Almond / Ivory / White control panel cover options.



DOES NOT INCLUDE COVER PLATE

## PILOT LIGHT SWITCH



HARDWIRED

WHITE: ATW-S-W      ALMOND: ATW-S-A

10 YEAR LIMITED WARRANTY

A simple on/off switch with a glowing red light to indicate when your heated towel rack is on and receiving power.

FOR MORE INFORMATION ON CONTROLLERS SEE PAGE 8

## BRACKET PACKS

REGULAR  
SHORT

EXTRA SHORT  
LONG

FOR FULL SKU LIST SEE COMPONENTS  
PAGE 68

Replacement bracket packs for mounting Jeeves models



## JEEVES DOUBLE GANG PLATE

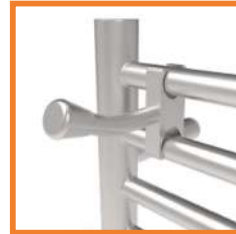
AJ-DGP-P  
AJ-DGP-B  
AJ-DGP-W

AJ-DGP-O  
AJ-DGP-MB

Replace the single gang plate included with all Jeeves models with the double gang plate to conveniently locate the controller adjacent to the unit.



Jeeves Double Gang Plate (Brushed) + Pilot Light Switch



## BATHROBE HANGER

POLISHED:  
AJ-BH-P

BRUSHED:  
AJ-BH-B

Attaches to most Jeeves models and allows bathrobes to be hung easily. [Not compatible with Models J / F / A]



Jeeves Bathrobe Hanger (Polished)





FSP



JEEVES

18

NSP-20  
SPECIAL ORDER



**CSP**



**JEEVES**

**MSP**




**DCP**




**LSB  
WITH BATHROBE  
HANGERS**

# JEEVES SPECIAL ORDERS




**MODEL H** HEIGHT: 18" BARS: 7

<b>16 1/2" WIDE</b> 60 watts 0.75 amps	<b>25 1/2" WIDE</b> 80-100 watts 0.5-0.75 amps
<b>STRAIGHT</b> HS*-16 <b>CURVED</b> HC*-16	<b>STRAIGHT</b> HS*-24 <b>CURVED</b> HC*-24



**MODEL N** HEIGHT: 68 1/2" BARS: 28

<b>16 1/2" WIDE</b> 175-200 watts 1.59-1.82 amps	<b>21 1/4" WIDE</b> 175-200 watts 1.59-1.82 amps	<b>25 1/2" WIDE</b> 175-200 watts 1.59-1.82 amps
<b>STRAIGHT</b> NS*-16	<b>STRAIGHT</b> NS*-20	<b>STRAIGHT</b> NS*-24



**MODEL E** HEIGHT: 31" BARS: 12


<b>12 5/8" WIDE</b> 100 watts 0.91 amps	<b>16 1/2" WIDE</b> 135 watts 1.23 amps	<b>25 1/2" WIDE</b> 150-175 watts 1.36-1.59 amps
<b>STRAIGHT</b> ES*-12	<b>STRAIGHT</b> ES*-16 <b>CURVED</b> EC*-16	<b>STRAIGHT</b> ES*-24 <b>CURVED</b> EC*-24



**MODEL W** HEIGHT: 27" BARS: 10


**48" WIDE** 240 watts  
2.18 amps

**STRAIGHT**  
WS\*-48



**MODEL C** HEIGHT: 36" BARS: 12

<b>12 5/8" WIDE</b> 100-135 watts 0.91-1.23 amps	<b>16 1/2" WIDE</b> 135-150 watts 1.23-1.36 amps	<b>25 1/2" WIDE</b> 150-200 watts 1.36-1.59 amps
<b>STRAIGHT</b> CS*-12	<b>STRAIGHT</b> CS*-16 <b>CURVED</b> CC*-16	<b>STRAIGHT</b> CS*-24 <b>CURVED</b> CC*-24



**MODEL D** HEIGHT: 53" BARS: 20

<b>12 5/8" WIDE</b> 175-200 watts 1.59-1.82 amps	<b>16 1/2" WIDE</b> 200 watts 1.82 amps	<b>25 1/2" WIDE</b> 240 watts 2.18 amps
<b>STRAIGHT</b> DS*-12	<b>STRAIGHT</b> DS*-16 <b>CURVED</b> DC*-16	<b>STRAIGHT</b> DS*-24 <b>CURVED</b> DC*-24

## FINISHES:

ASTERISK (\*) IN SKU TO BE REPLACED BY FINISH CODE



## SPECIAL ORDER OPTIONS:



LEFT-ASSEMBLY  
AVAILABLE



HYDRONIC  
VALVES SOLD  
SEPARATELY  
STAINLESS STEEL ONLY



VOLTAGE  
ELEMENTS

**SHIPPING &  
HANDLING**  
NOT INCLUDED

**LEAD TIMES**  
**12-14 WEEKS**  
FROM RECEIPT OF  
PAYMENT FOR  
SPECIAL ORDERS

Wattage and amperages vary by finish. Colored finishes [Matte Black, ORB & White] may have higher wattages to account for coating of bars.



# SIRIO COLLECTION



**S2942SB**



**HARDWIRED**



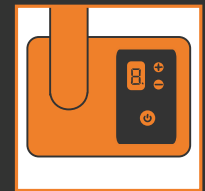
**3-YEAR LIMITED WARRANTY**



**LEFT-ASSEMBLY SPECIAL ORDER**



**DRY ELEMENT SYSTEM**



**DIGITAL HEAT CONTROLLER**

**115 VOLT**  
STANDARD VOLTAGE

**131°F–167°F**  
AVERAGE TEMP RANGE

**10–15M**  
WARM-UP TIME

**304-GRADE STAINLESS STEEL**

STOCKED ITEMS: PAGE 23  
SPECIAL ORDER ITEMS: PAGE 27



COLLECTION: **SIRIO** RACK HEIGHT: **~33 INCHES**  
**S 21 33 SB**  
 RACK WIDTH: **~21 INCHES** FINISH: **SATIN BRASS**

The SKU identifies the collection + the general dimensions of the unit itself + finish code. Unit dimensions will vary from overall dimensions depending on the controller.

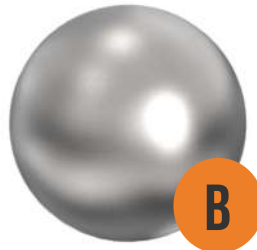
	BARS	MAX # TOWELS	RAIL WIDTH	RAIL HEIGHT	OVERALL WIDTH	OVERALL HEIGHT	DEPTH	WATTAGE	AMPS	BTUS
S2121	8	1	21"	21 3/8"	21 3/8"	23 3/8"	4"	115	1	392
S2133	12	2	21"	33 1/4"	24 5/8"	35 1/8"	4"	172	1.50	586
S2142	16	4	21"	42 5/8"	24 5/8"	44 5/8"	4"	232	2	791
S2921	8	1	28 7/8"	21 5/8"	32 1/2"	23 3/8"	4"	148	1.30	505
S2933	12	4	28 7/8"	33 1/4"	32 1/2"	35 1/8"	4"	232	2.00	791
S2942	16	4	28 7/8"	42 5/8"	32 1/2"	44 5/8"	4"	296	2.60	1009

FOR ADDITIONAL SIZES SEE OUR SPECIAL ORDER PAGE 27

## FINISHES



POLISHED



BRUSHED



OIL-RUBBED BRONZE



SATIN BRASS



CUSTOMIZE COLOR USING RAL CODE  
 SEE SPECIAL ORDERS PAGE 27

The stylish, Italian-made Sirio Collection features a contemporary design with round horizontal bars. This versatile collection is perfect for drying and warming towels. Made of high quality stainless steel, the Sirio Collection is offered in brushed, polished, oil rubbed bronze and satin brass finishes. We offer additional sizes and colors as special order items. Each Sirio (excluding S2121) includes a digital heat controller, allowing the choice of 9 different heat levels.

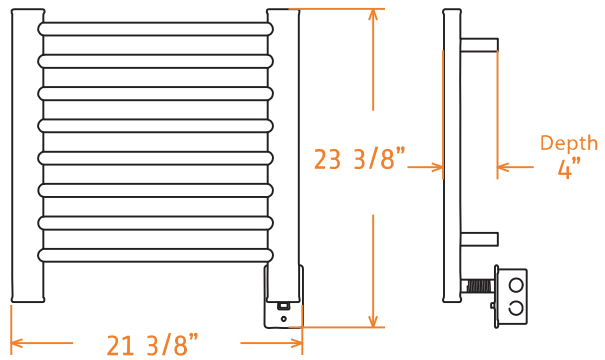
# SIRIO COLLECTION

**STOCKED ITEMS**

SEE PAGE 27 FOR SPECIAL ORDERS

SKU: COLLECTION + MODEL NUMBER + FINISH

**DRYING RACK**  
8 BARS  
FITS 1 TOWEL



**S2121**

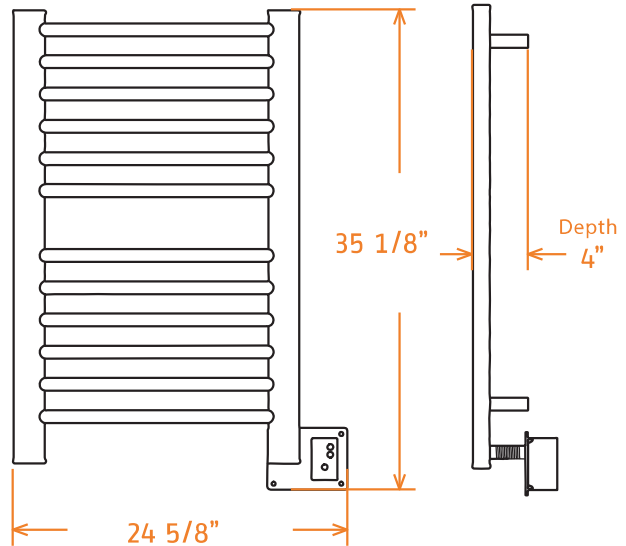
**ELECTRICAL**      **HEAT OUTPUT**

W: 21 3/8"      115 watts      BTUs  
H: 23 1/2"      1.0 amps      392

**SKU**

POLISHED: S2121P      BRUSHED: S2121B      O.R. BRONZE: S212120      SATIN-BRASS: S21215B

**12 BARS**  
FITS 2 TOWELS



**S2133**

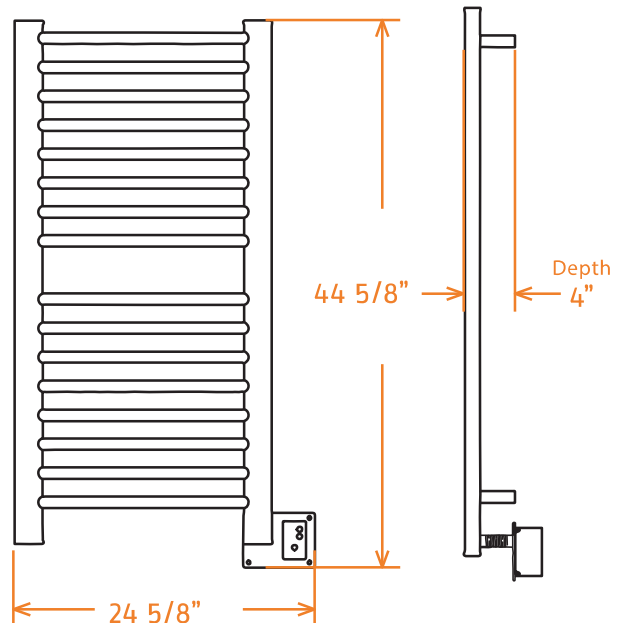
**ELECTRICAL**      **HEAT OUTPUT**

W: 24 5/8"      172 watts      BTUs  
H: 35 1/8"      1.5 amps      586

**SKU**

POLISHED: S2133P      BRUSHED: S2133B      O.R. BRONZE: S21330      SATIN-BRASS: S21335B

**16 BARS**  
FITS 4 TOWELS



**S2142**

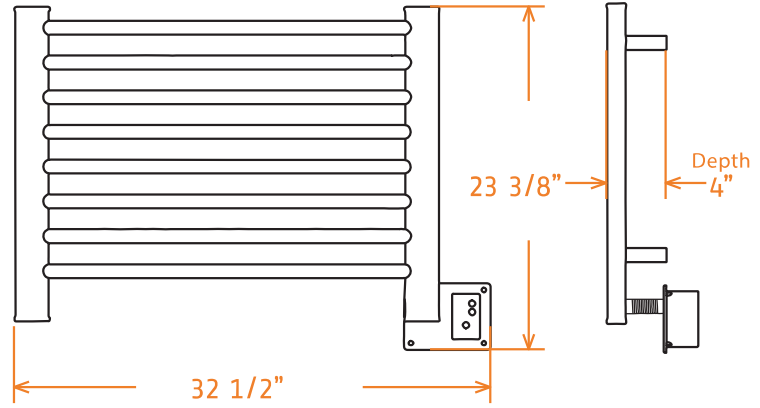
**ELECTRICAL**      **HEAT OUTPUT**

W: 24 5/8"      232 watts      BTUs  
H: 44 5/8"      2.0 amps      791

**SKU**

POLISHED: S2142P      BRUSHED: S2142B      O.R. BRONZE: S21420      SATIN-BRASS: S21425B

**DRYING RACK**  
8 BARS  
FITS 1 TOWEL



**S2921**

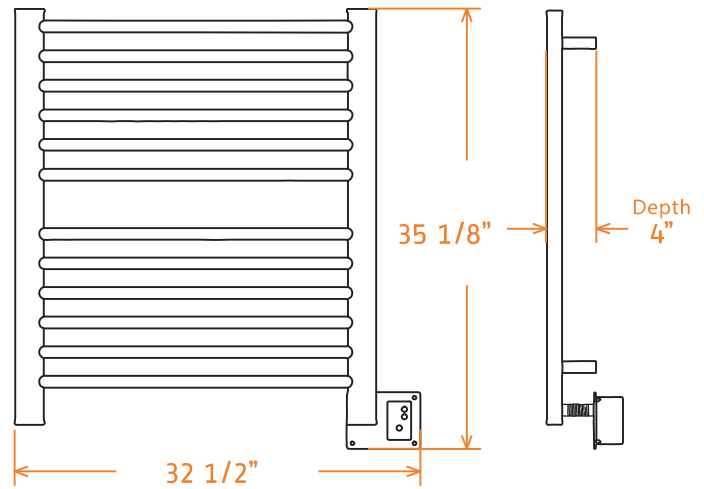
**ELECTRICAL**      **HEAT OUTPUT**

W: 32 1/2"      148 watts      BTUs  
H: 23 3/8"      1.3 amps      505

**SKU**

POLISHED: S2921P      BRUSHED: S2921B      O.R. BRONZE: S292120      SATIN-BRASS: S29215B

12 BARS  
FITS 4 TOWELS



**S2933**

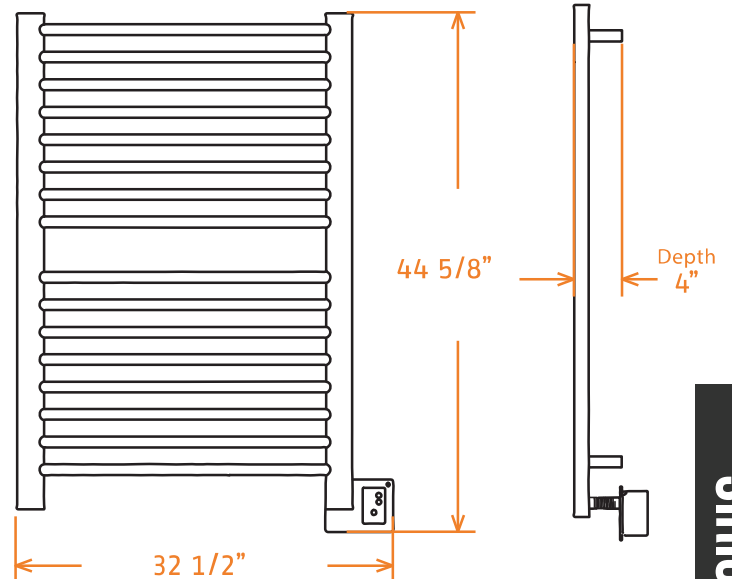
**ELECTRICAL**      **HEAT OUTPUT**

W: 32 1/2"      232 watts      BTUs  
H: 35 1/8"      2.0 amps      791

**SKU**

POLISHED: S2933P      BRUSHED: S2933B      O.R. BRONZE: S29330      SATIN-BRASS: S29335B

16 BARS  
FITS 4 TOWELS



**S2942**

**ELECTRICAL**      **HEAT OUTPUT**

W: 32 1/2"      296 watts      BTUs  
H: 44 5/8"      2.60 amps      1009

**SKU**

POLISHED: S2942P      BRUSHED: S2942B      O.R. BRONZE: S29420      SATIN-BRASS: S29425B



# ACCESSORIES

SOLD SEPARATELY

# CONTROLLERS

FOR MORE INFO SEE PAGE 9



**PROGRAMMABLE  
TIMER**

HARDWIRED

**ATW-T24**

BLACK COLOR  
CHANGE KIT:  
ATW-T24-BL

DOES NOT INCLUDE COVER PLATE

5 YEAR LIMITED WARRANTY

A 7-Day / 24-Hour Programmable Hardwired timer that allows you to set specific times of day when your heated towel rack turns on and off. Includes Light Almond / Ivory / White panel cover options.



**WIFI SMART  
SWITCH**

HARDWIRED

**ATW-SS**

BLACK COLOR  
CHANGE KIT:  
ATW-SS-BL

2 YEAR LIMITED WARRANTY

Program your Heated Towel Rack to turn on and off using a smart device. Works with the My Leviton App to sync with optional Amazon Alexa or Google Assistant.



**COUNTDOWN  
TIMER**

HARDWIRED


**ATW-CDT**

BLACK COLOR  
CHANGE KIT:  
ATW-CDT-BL

DOES NOT INCLUDE COVER PLATE

5 YEAR LIMITED WARRANTY

A timer that operates for a specific duration and then turns off — Features 2/4/8/12 hour duration options. Includes Light Almond / Ivory / White control panel cover options.



**PILOT LIGHT  
SWITCH**

HARDWIRED

WHITE:  
ATW-S-W

ALMOND:  
ATW-S-A

DOES NOT INCLUDE COVER PLATE

10 YEAR LIMITED WARRANTY

A simple on/off switch with a glowing red light to indicate when your heated towel rack is on and receiving power.



**BATHROBE HANGER**

POLISHED:  
AS-BH-P

BRUSHED:  
AS-BH-B

Attaches to Sirio towel racks and offers a place to hang a bathrobe or other clothes.

FOR MORE INFORMATION ON CONTROLLERS SEE PAGE 8



**DIGITAL HEAT CONTROLLER**



**REMOTELY-WIRED  
DIGITAL HEAT CONTROLLER**



**DIGITAL HEAT  
CONTROLLER**

ATW-DHC-P  
ATW-DHC-B  
ATW-DHC-O  
ATW-DHC-SB

Replacement digital heat controller that comes standard with all Sirio Collection models (excluding S2121)



**REMOTELY WIRED DIGITAL  
HEAT CONTROLLER**

ATW-DHCR-P  
ATW-DHCR-B  
ATW-DHCR-O  
ATW-DHCR-SB

Replaces the standard Digital Heat Controller with a single-gang box and a separate controller that can be wired remotely of the unit.



**PLATE COVER KIT**

POLISHED:  
AE-PCK-P

OIL-RUBBED  
BRONZE:  
AE-PCK-O

BRUSHED:  
AE-PCK-B

SATIN BRASS:  
AE-PCK-SB

Replacement Push Button Switch and cover plate (can be used instead of DHC)

**BRACKET PACKS**

STANDARD      LONG

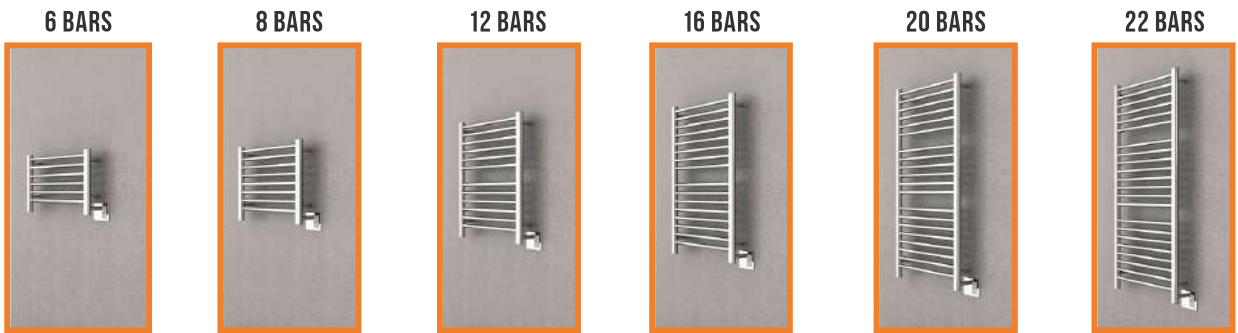
FOR FULL SKU LIST SEE COMPONENTS  
PAGE 68

Replacement bracket packs for mounting Sirio models

# SIRIO SPECIAL ORDERS

		HEIGHT					
		18 5/8"	23 3/8"	35 1/8"	44 5/8"	56 3/8"	61 1/8"
WIDTH	20 5/8"	S1716	S1721	S1733	S1742	S1754	S1759
	24 5/8"	S2116	<b>S2121</b> STOCKED ITEM [Ships in 1-2 Days]	<b>S2133</b> STOCKED ITEM [Ships in 1-2 Days]	<b>S2142</b> STOCKED ITEM [Ships in 1-2 Days]	S2154	S2159
	28 1/2"	S2516	S2521	S2533	S2542	S2554	S2559
	32 1/2"	S2916	<b>S2921</b> STOCKED ITEM [Ships in 1-2 Days]	<b>S2933</b> STOCKED ITEM [Ships in 1-2 Days]	<b>S2942</b> STOCKED ITEM [Ships in 1-2 Days]	S2954	S2959

MEASUREMENTS REFLECT OVERALL DIMENSIONS, UNIT DIMENSIONS MAY VARY



PLEASE CONTACT US FOR PRICING AND SPECIFICATIONS

**SHIPPING & HANDLING**

NOT INCLUDED

**LEAD TIMES**  
12-14 WEEKS

FROM RECEIPT OF PAYMENT  
FOR SPECIAL ORDERS

## ULTRA-WIDE



S5721 59 7/8" x 22"

## FINISHES:



## SPECIAL ORDER OPTIONS:



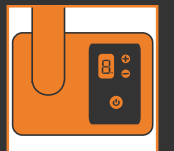
LEFT-ASSEMBLY  
AVAILABLE



HYDRONIC  
VALVES SOLD  
SEPARATELY



VOLTAGE  
ELEMENTS



STANDARD OR  
REMOVED WIRING

FOR MORE INFORMATION ON HYDRONIC MODELS VISIT:  
[AMBAPRODUCTS.COM/HYDRONIC](http://AMBAPRODUCTS.COM/HYDRONIC)



**S2933P**



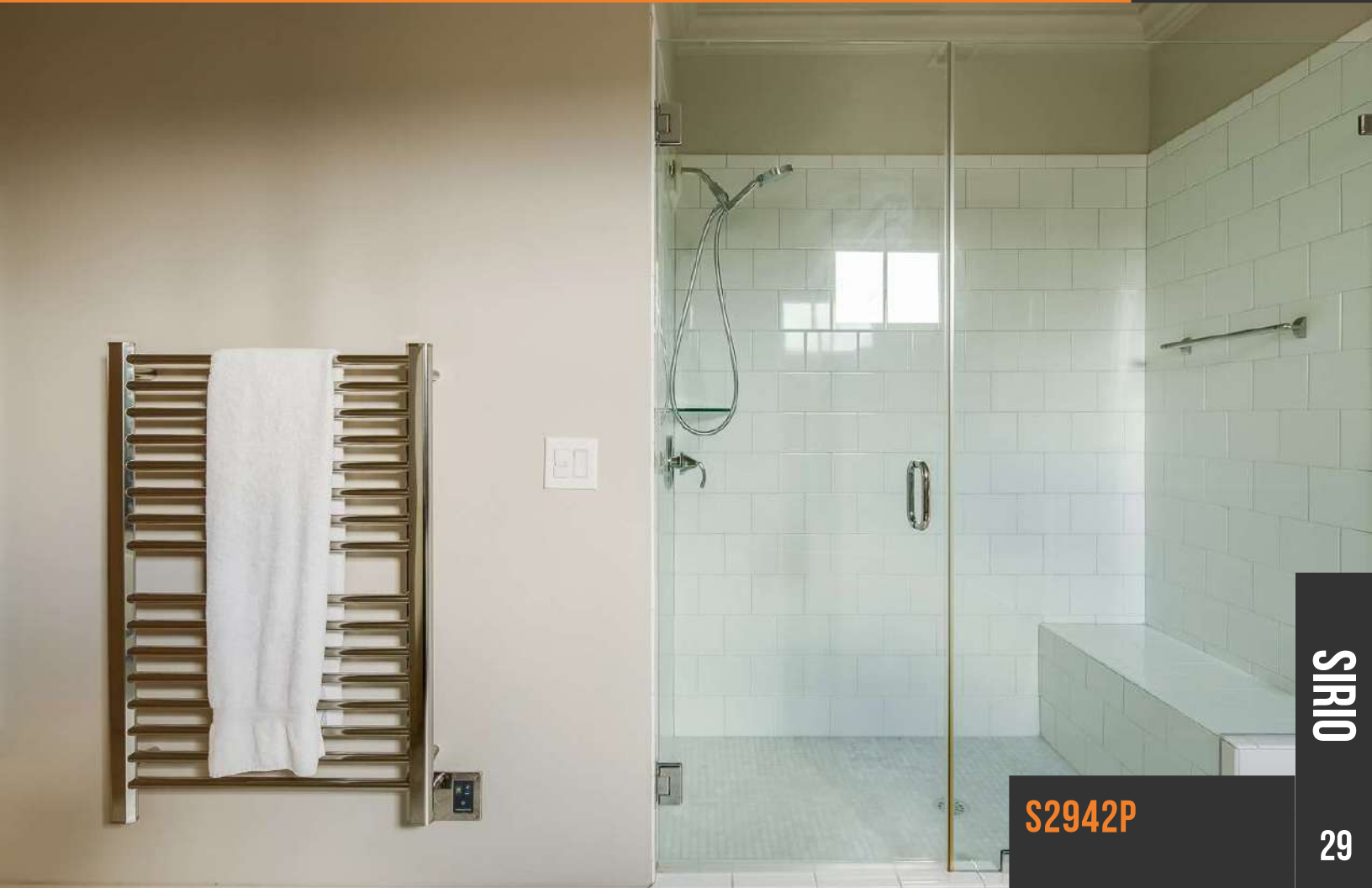
**S2133B**

**SIRIO**

**28**



**S2121P**



**S2942P**



# QUADRO COLLECTION



**Q2833B**



**HARDWIRED**



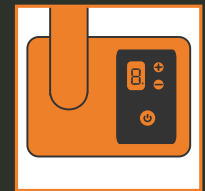
**3-YEAR LIMITED WARRANTY**



**LEFT-ASSEMBLY SPECIAL ORDER**



**DRY ELEMENT SYSTEM**



**DIGITAL HEAT CONTROLLER**

**115 VOLT**  
STANDARD VOLTAGE

**131°F–167°F**  
AVERAGE TEMP RANGE

**10–15M**  
WARM-UP TIME

**304-GRADE STAINLESS STEEL**

STOCKED ITEMS: PAGE 30  
SPECIAL ORDER ITEMS: PAGE 35



COLLECTION: **QUADRO** RACK HEIGHT: **~54 INCHES**  
**Q 2054 MB**  
 RACK WIDTH: **~20 INCHES** FINISH: **MATTE BLACK**

The SKU identifies the collection + the general dimensions of the unit itself + finish code. Unit dimensions will vary from overall dimensions depending on the controller.

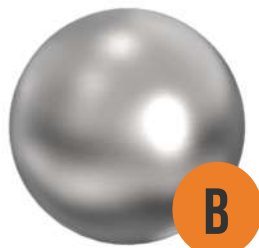
	BARS	MAX # TOWELS	RAIL WIDTH	RAIL HEIGHT	OVERALL WIDTH	OVERALL HEIGHT	DEPTH	WATTAGE	AMPS	BTUS
Q2016	6	1	20 1/2"	16 3/4"	21 1/8"	18 7/8"	4 1/8"	92	0.8	314
Q2033	12	2	20 1/2"	33 1/4"	24 3/8"	35 3/8"	4 1/8"	172	1.5	586
Q2042	16	4	20 1/2"	42 5/8"	24 3/8"	44 3/4"	4 1/8"	232	2.0	791
Q2054	20	6	20 1/2"	54 1/2"	24 3/8"	56 5/8"	4 1/8"	296	2.6	1009
Q2833	12	4	28 1/2"	33 1/4"	32 1/4"	35 3/8"	4 1/8"	232	2.0	791
Q2842	16	4	28 1/2"	42 5/8"	32 1/4"	44 3/4"	4 1/8"	296	2.6	1009

FOR ADDITIONAL SIZES SEE OUR SPECIAL ORDER PAGE 35

## FINISHES



POLISHED



BRUSHED



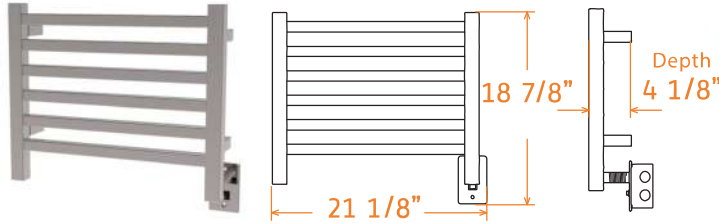
MATTE BLACK



CUSTOMIZE COLOR USING RAL CODE  
 SEE SPECIAL ORDERS PAGE 35

The stylish, Italian-made Quadro Collection features a modern design with square bars. This versatile collection is perfect for drying and warming towels. Made of high quality stainless steel, the Quadro Collection is offered in polished, brushed, and matte black finishes. We offer additional sizes and colors as special order items. Each Quadro [excluding Q2016] includes a digital heat controller, allowing the choice of 9 different heat levels.

6 BARS  
 FITS 1 TOWEL



## Q2016

### ELECTRICAL

W: 21 1/8"  
 H: 18 7/8"

92 watts  
 1.0 amps

### HEAT OUTPUT

BTUs  
 314

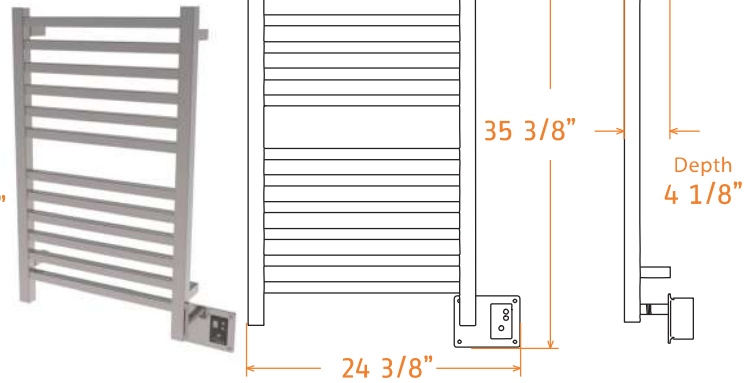
### SKU

POLISHED:  
 Q2016P

BRUSHED:  
 Q2016B

MATTE BLACK:  
 Q2016MB

12 BARS  
 FITS 2 TOWELS



## Q2033

### ELECTRICAL

W: 24 3/8"  
 H: 35 3/8"

172 watts  
 1.5 amps

### HEAT OUTPUT

BTUs  
 586

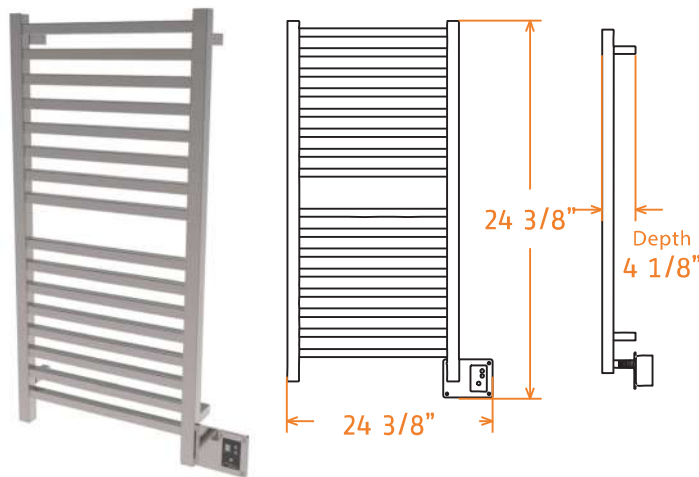
### SKU

POLISHED:  
 Q2033P

BRUSHED:  
 Q2033B

MATTE BLACK:  
 Q2033MB

16 BARS  
 FITS 4 TOWELS



## Q2042

### ELECTRICAL

W: 24 3/8"  
 H: 44 3/4"

232 watts  
 2.0 amps

### HEAT OUTPUT

BTUs  
 791

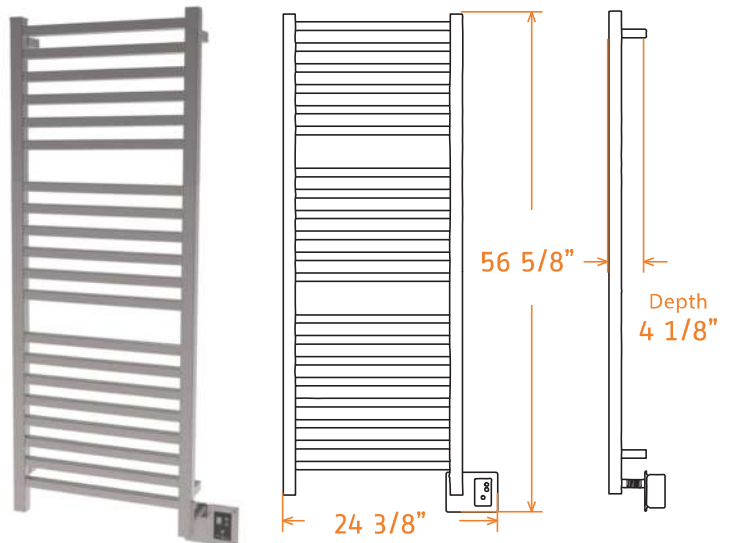
### SKU

POLISHED:  
 Q2042P

BRUSHED:  
 Q2042B

MATTE BLACK:  
 Q2042MB

20 BARS  
 FITS 6 TOWELS



## Q2054

### ELECTRICAL

W: 24 3/8"  
 H: 56 5/8"

296 watts  
 2.6 amps

### HEAT OUTPUT

BTUs  
 1009

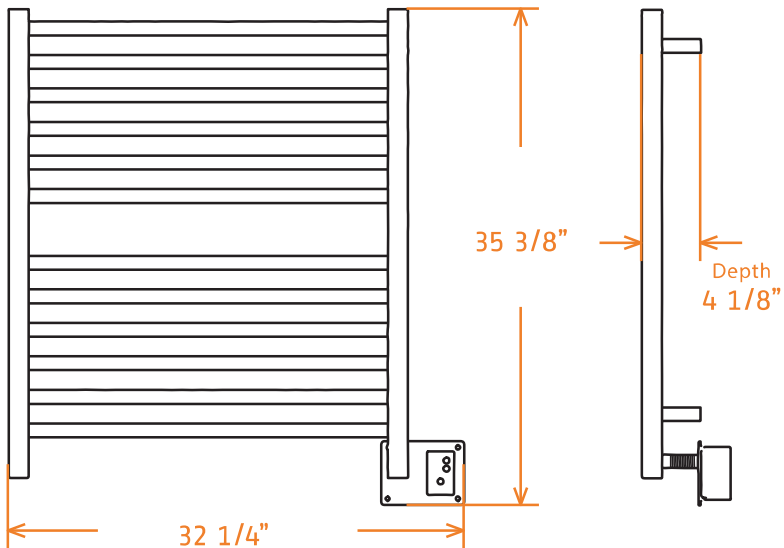
### SKU

POLISHED:  
 Q2054P

BRUSHED:  
 Q2054B

MATTE BLACK:  
 Q2054MB

12 BARS  
FITS 4 TOWELS



## Q2833

### ELECTRICAL

W: 32 1/4"  
H: 35 3/8"

232 watts  
2.0 amps

### HEAT OUTPUT

BTUs  
791

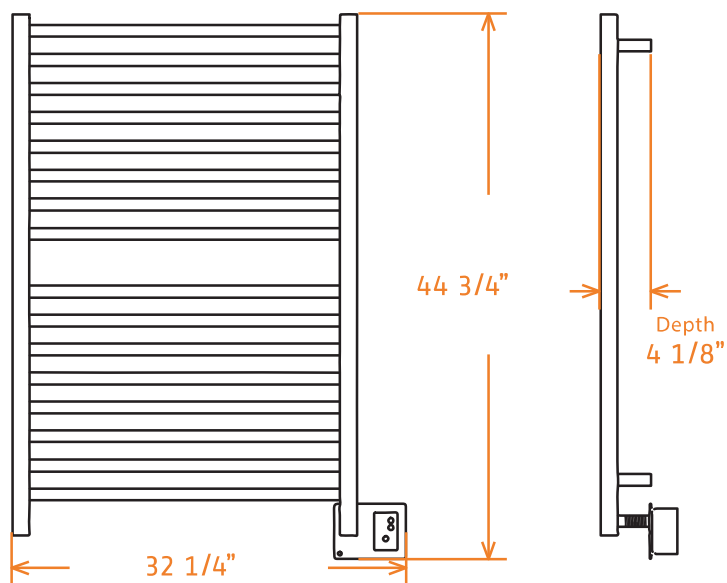
### SKU

POLISHED:  
Q2833P

BRUSHED:  
Q2833B

MATTE BLACK:  
Q2833MB

16 BARS  
FITS 4 TOWELS



## Q2842

### ELECTRICAL

W: 32 1/4"  
H: 44 3/8"

296 watts  
2.6 amps

### HEAT OUTPUT

BTUs  
1009

### SKU

POLISHED:  
Q2842P

BRUSHED:  
Q2842B

MATTE BLACK:  
Q2842MB



# ACCESSORIES

SOLD SEPARATELY

# CONTROLLERS

FOR MORE INFO SEE PAGE 9



**PROGRAMMABLE  
TIMER**

HARDWIRED

ATW-T24

BLACK COLOR  
CHANGE KIT:  
ATW-T24-BL

5 YEAR LIMITED WARRANTY

DOES NOT INCLUDE COVER PLATE

A 7-Day / 24-Hour Programmable Hardwired timer that allows you to set specific times of day when your heated towel rack turns on and off. Includes Light Almond / Ivory / White panel cover options.



**WIFI SMART  
SWITCH**

HARDWIRED

ATW-SS

BLACK COLOR  
CHANGE KIT:  
ATW-SS-BL

2 YEAR LIMITED WARRANTY

Program your Heated Towel Rack to turn on and off using a smart device. Works with the My Leviton App to sync with optional Amazon Alexa or Google Assistant.



**COUNTDOWN  
TIMER**

HARDWIRED


ATW-CDT

BLACK COLOR  
CHANGE KIT:  
ATW-CDT-BL

5 YEAR LIMITED WARRANTY

DOES NOT INCLUDE COVER PLATE

A timer that operates for a specific duration and then turns off — Features 2/4/8/12 hour duration options. Includes Light Almond / Ivory / White control panel cover options.



**PILOT LIGHT  
SWITCH**

HARDWIRED

WHITE:  
ATW-S-W

ALMOND:  
ATW-S-A

10 YEAR LIMITED WARRANTY

DOES NOT INCLUDE COVER PLATE

A simple on/off switch with a glowing red light to indicate when your heated towel rack is on and receiving power.



**BATHROBE HANGER**

POLISHED:  
AQ-BH-P

BRUSHED:  
AQ-BH-B

Attaches to Quadro towel racks and offers a place to hang a bathrobe or other clothes.

FOR MORE INFORMATION ON CONTROLLERS SEE PAGE 8



**DIGITAL HEAT CONTROLLER**



**REMOTELY-WIRED  
DIGITAL HEAT CONTROLLER**



**DIGITAL HEAT  
CONTROLLER**

ATW-DHC-P  
ATW-DHC-B  
ATW-DHC-MB

Replacement digital heat controller that comes standard with all Quadro Collection models (excluding Q2016)



**REMOTELY WIRED DIGITAL  
HEAT CONTROLLER**

ATW-DHCR-P  
ATW-DHCR-B  
ATW-DHCR-MB

Replaces the standard Digital Heat Controller with a single-gang box and a separate controller that can be wired remotely of the unit.



**PLATE COVER KIT**

POLISHED:  
AE-PCK-P

BRUSHED:  
AE-PCK-B

MATTE BLACK:  
AE-PCK-MB

Replacement Push Button Switch and cover plate (can be used instead of DHC)

**BRACKET PACKS**

REGULAR      LONG

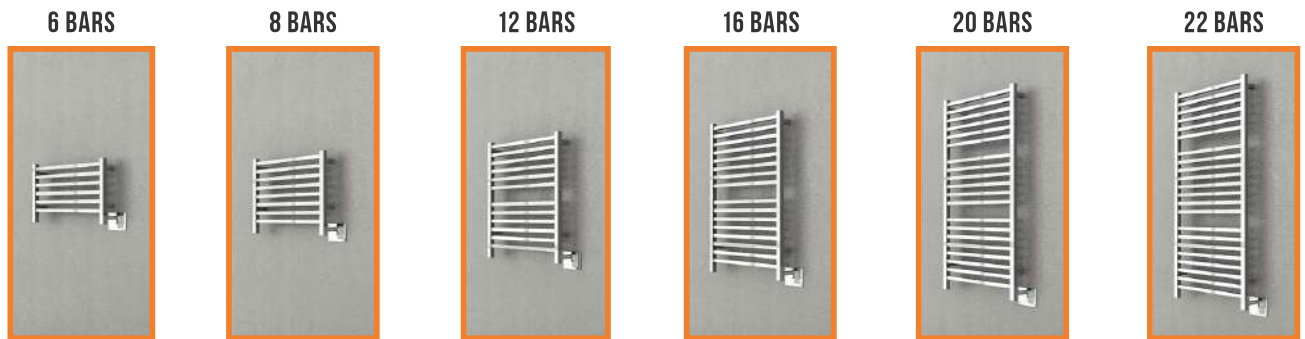
FOR FULL SKU LIST SEE COMPONENTS  
PAGE 68

Replacement bracket packs for mounting Quadro models

# QUADRO SPECIAL ORDERS

		HEIGHT					
		16 1/2"	23 1/2"	35 3/8"	44 3/4"	56 5/8"	61 3/8"
WIDTH	20 3/8"	Q1616	Q1621	Q1633	Q1642	Q1654	Q1659
	24 3/8"	Q2016 STOCKED ITEM [Ships in 1-2 Days]	Q2021	Q2033 STOCKED ITEM [Ships in 1-2 Days]	Q2042 STOCKED ITEM [Ships in 1-2 Days]	Q2054 STOCKED ITEM [Ships in 1-2 Days]	Q2059
	28 1/4"	Q2416	Q2421	Q2433	Q2442	Q2454	Q2459
	32 1/4"	Q2816	Q2821	Q2833 STOCKED ITEM [Ships in 1-2 Days]	Q2842 STOCKED ITEM [Ships in 1-2 Days]	Q2854	Q2859

MEASUREMENTS REFLECT OVERALL DIMENSIONS, UNIT DIMENSIONS MAY VARY



PLEASE CONTACT US FOR PRICING AND SPECIFICATIONS

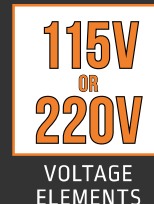
**SHIPPING & HANDLING**  
NOT INCLUDED

**LEAD TIMES**  
12-14 WEEKS  
FROM RECEIPT OF PAYMENT  
FOR SPECIAL ORDERS

## FINISHES:



## SPECIAL ORDER OPTIONS:





**Q2033P**



**Q2033B**



**Q2042P**



**Q2016MB**

**QUADRO**



# VEGA COLLECTION



**V2356MB**



**HARDWIRED**



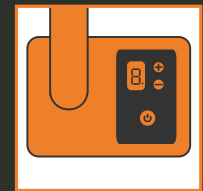
**3-YEAR LIMITED WARRANTY**



**LEFT-ASSEMBLY SPECIAL ORDER**



**DRY ELEMENT SYSTEM**



**DIGITAL HEAT CONTROLLER**

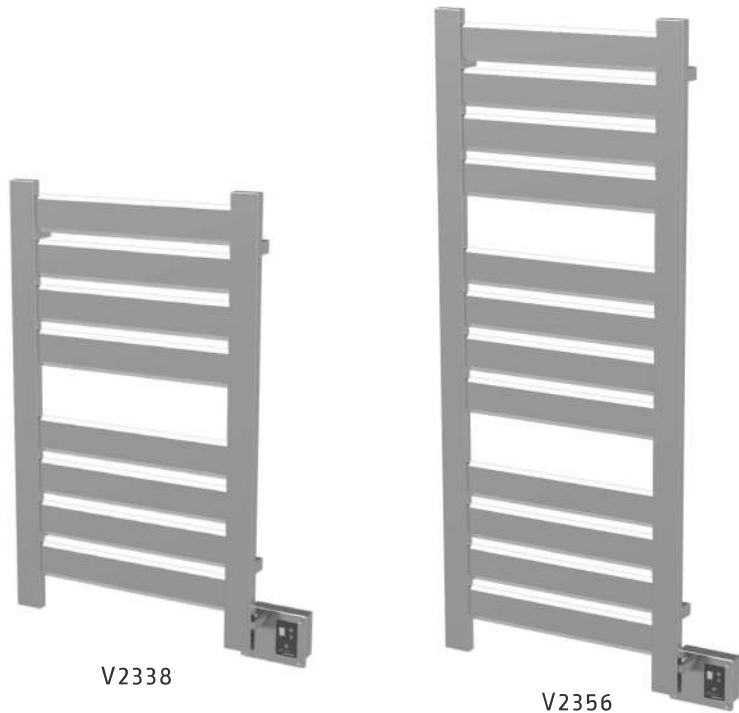
**115 VOLT**  
STANDARD VOLTAGE

**131°F–167°F**  
AVERAGE TEMP RANGE

**10–15M**  
WARM-UP TIME

**304-GRADE STAINLESS STEEL**

STOCKED ITEMS: PAGE 39  
SPECIAL ORDER ITEMS: PAGE 42



COLLECTION: **VEGA**      RACK HEIGHT: **~38 INCHES**

**V 23 38 MB**

RACK WIDTH: **~23 INCHES**      FINISH: **MATTE BLACK**

The SKU identifies the collection + the general dimensions of the unit itself + finish code. Unit dimensions will vary from overall dimensions depending on the controller.

	BARS	MAX # TOWELS	RAIL WIDTH	RAIL HEIGHT	OVERALL WIDTH	OVERALL HEIGHT	DEPTH	WATTAGE	AMPS	BTUS
V2338	8	4	22 7/8"	37 1/4"	26 1/4"	39"	3 5/8"	250	2.17	853
V2356	12	6	22 7/8"	55 7/8"	26 1/4"	57 3/4"	3 5/8"	370	3.21	1262

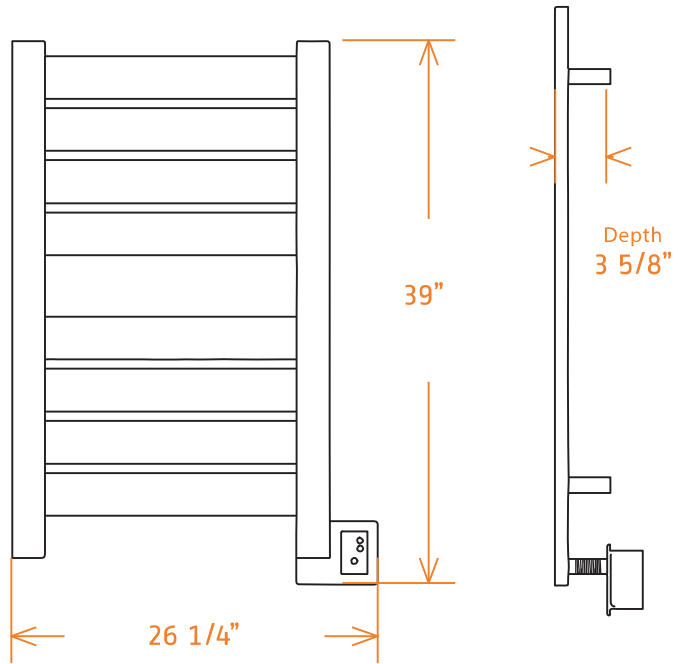
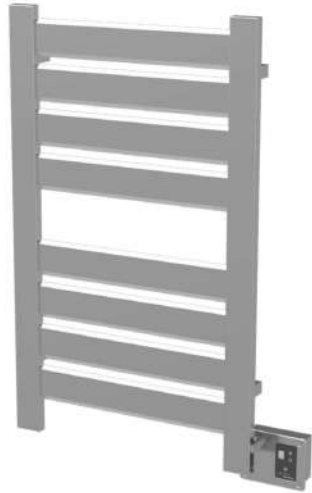
FOR ADDITIONAL SIZES SEE OUR SPECIAL ORDER PAGE 42

## FINISHES



The stylish, Italian-made Vega Collection features a modern design with large horizontal panels rather than bars that are perfect for drying and warming towels thanks to their added surface area. Made of high quality stainless steel, the Vega Collection is offered in polished, brushed, white, and matte black. We offer additional sizes and colors as special order items. Each Vega includes a digital heat controller, allowing the choice of 9 different heat levels.

8 BARS  
FITS 4 TOWELS



## V2338

### ELECTRICAL

W: 26 1/4"  
H: 39"

250 watts  
2.17 amps

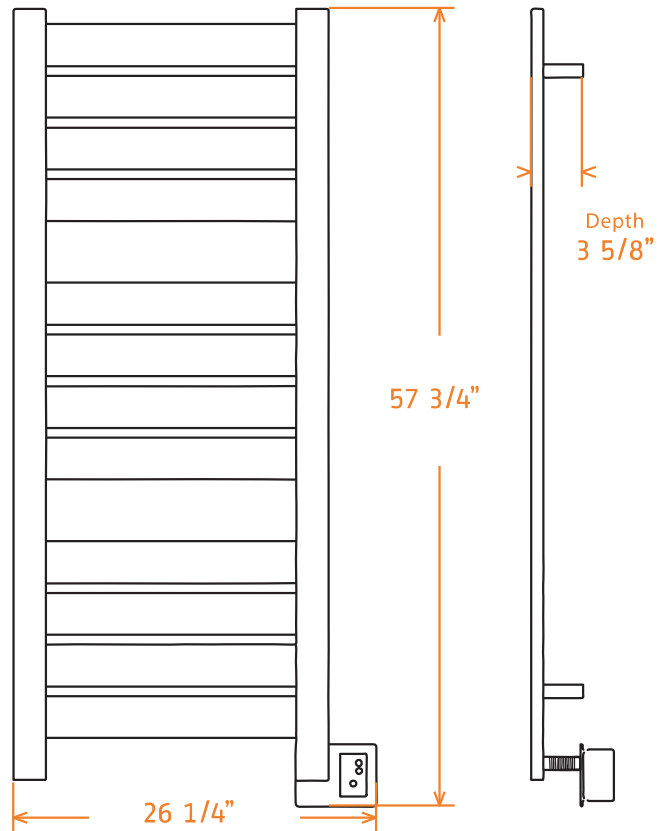
### HEAT OUTPUT

BTUs  
853

### SKUS

POLISHED: V2338P	BRUSHED: V2338B	WHITE: V2338W	MATTE BLACK: V2338MB
---------------------	--------------------	------------------	-------------------------

12 BARS  
FITS 6 TOWELS



## V2356

### ELECTRICAL

W: 26 1/4"  
H: 57 3/4"

370 watts  
3.21 amps

### HEAT OUTPUT

BTUs  
1262

### SKUS

POLISHED: V2356P	BRUSHED: V2356B	WHITE: V2356W	MATTE BLACK: V2356MB
---------------------	--------------------	------------------	-------------------------

PLEASE NOTE - PRODUCT SPECS ARE SUBJECT TO CHANGE WITHOUT NOTICE - PLEASE REFER TO FULL TECHNICAL DRAWINGS ON WEBSITE FOR ACCURATE DIMENSIONS

# ACCESSORIES

SOLD SEPARATELY



**PROGRAMMABLE  
TIMER**

HARDWIRED

BLACK COLOR  
CHANGE KIT:  
ATW-T24-BL

ATW-T24

5 YEAR LIMITED WARRANTY

DOES NOT INCLUDE COVER PLATE

A 7-Day / 24-Hour Programmable Hardwired timer that allows you to set specific times of day when your heated towel rack turns on and off. Includes Light Almond / Ivory / White panel cover options.



**WIFI SMART  
SWITCH**

HARDWIRED

BLACK COLOR  
CHANGE KIT:  
ATW-SS-BL

ATW-SS

2 YEAR LIMITED WARRANTY

Program your Heated Towel Rack to turn on and off using a smart device. Works with the My Leviton App to sync with optional Amazon Alexa or Google Assistant.



**COUNTDOWN  
TIMER**

HARDWIRED


BLACK COLOR  
CHANGE KIT:  
ATW-CDT-BL

ATW-CDT

5 YEAR LIMITED WARRANTY

DOES NOT INCLUDE COVER PLATE

A timer that operates for a specific duration and then turns off — Features 2/4/8/12 hour duration options. Includes Light Almond / Ivory / White control panel cover options.



**PILOT LIGHT  
SWITCH**

HARDWIRED

WHITE:  
ATW-S-W      ALMOND:  
ATW-S-A

10 YEAR LIMITED WARRANTY

DOES NOT INCLUDE COVER PLATE

A simple on/off switch with a glowing red light to indicate when your heated towel rack is on and receiving power.



**BATHROBE HANGER**

POLISHED:  
AV-BH-P      BRUSHED:  
AV-BH-B

Attaches to Vega towel racks and offers a place to hang a bathrobe or other clothes.

FOR MORE INFORMATION ON CONTROLLERS SEE PAGE 8

# CONTROLLERS

FOR MORE INFO SEE PAGE 9



**DIGITAL HEAT CONTROLLER**



**REMOTELY WIRED  
DIGITAL HEAT CONTROLLER**



**DIGITAL HEAT  
CONTROLLER**

ATW-DHC-P  
ATW-DHC-B  
ATW-DHC-MB  
ATW-DHC-W

Replacement digital heat controller that comes standard with all Vega Collection models.



**REMOTELY WIRED DIGITAL  
HEAT CONTROLLER**

ATW-DHCR-P  
ATW-DHCR-B  
ATW-DHCR-MB  
ATW-DHCR-W

Replaces the standard Digital Heat Controller with a single-gang box and a separate controller that can be wired remotely of the unit.



**PLATE COVER KIT**

POLISHED:      MATTE BLACK:  
AE-PCK-P      AE-PCK-MB  
BRUSHED:      WHITE:  
AE-PCK-B      AE-PCK-W

Replacement Push Button Switch and cover plate (can be used instead of DHC)

**BRACKET PACKS**

REGULAR      LONG

FOR FULL SKU LIST SEE COMPONENTS  
PAGE 68

Replacement bracket packs for mounting Vega models



# VEGA SPECIAL ORDERS

		HEIGHT			
		20 1/2"	39 1/8"	59 7/8"	76 5/8"
WIDTH	20 3/4"	V1819	V1838	V1856	V1875
	26 1/4"	V2319	V2338 STOCKED ITEM [Ships in 1-2 Days]	V2356 STOCKED ITEM [Ships in 1-2 Days]	V2375
	31 3/4"	V2819	V2838	V2856	V2875

MEASUREMENTS REFLECT OVERALL DIMENSIONS, UNIT DIMENSIONS MAY VARY



PLEASE CONTACT US FOR PRICING AND SPECIFICATIONS

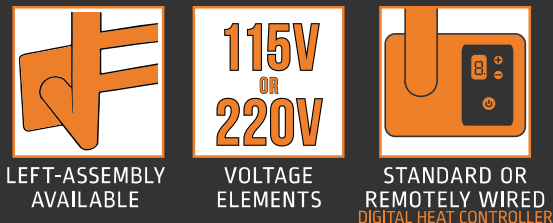
**SHIPPING & HANDLING**  
NOT INCLUDED

**LEAD TIMES**  
**12-14 WEEKS**  
FROM RECEIPT OF PAYMENT  
FOR SPECIAL ORDERS

## FINISHES:



## SPECIAL ORDER OPTIONS:





**V2338B** with  
ATW-DHCR-B



**V2338W**



# ANTUS COLLECTION



**A2856P**



**HARDWIRED**



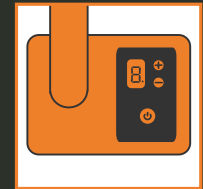
**3-YEAR LIMITED WARRANTY**



**LEFT-ASSEMBLY SPECIAL ORDER**



**DRY ELEMENT SYSTEM**



**DIGITAL HEAT CONTROLLER**

**115 VOLT**  
STANDARD VOLTAGE

**131°F–167°F**  
AVERAGE TEMP RANGE

**10–15M**  
WARM-UP TIME

**304-GRADE STAINLESS STEEL**

STOCKED ITEMS: PAGE 45  
SPECIAL ORDER ITEMS: PAGE 48



COLLECTION: **ANTUS** RACK HEIGHT: **~56 INCHES**  
**A 20 56 P**  
 RACK WIDTH: **~20 INCHES** FINISH: **POLISHED**

The SKU identifies the collection + the general dimensions of the unit itself + finish code. Unit dimensions will vary from overall dimensions depending on the controller.

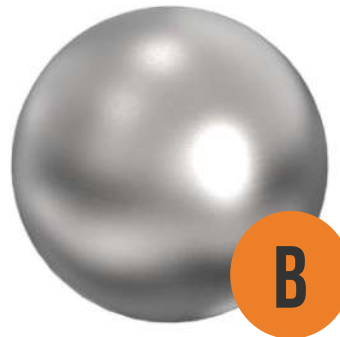
	BARS	MAX # TOWELS	RAIL WIDTH	RAIL HEIGHT	OVERALL WIDTH	OVERALL HEIGHT	DEPTH	WATTAGE	AMPS	BTUS
<b>A2056</b>	32	6	19 5/8"	56 1/4"	23 5/8"	58 3/8"	4 5/16"	400	3.5	1364
<b>A2856</b>	32	6	27 1/2"	56 1/4"	31 1/2"	58 3/8"	4 5/16"	530	4.6	1807

FOR ADDITIONAL SIZES SEE OUR SPECIAL ORDER PAGE 48

**FINISHES**

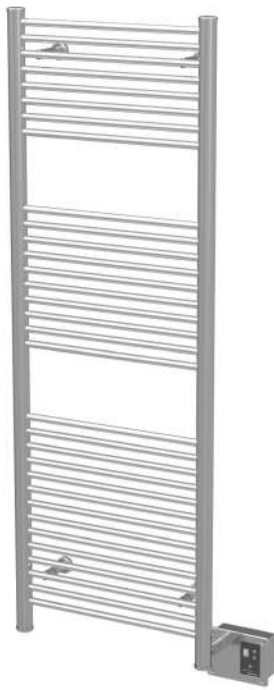


**POLISHED**

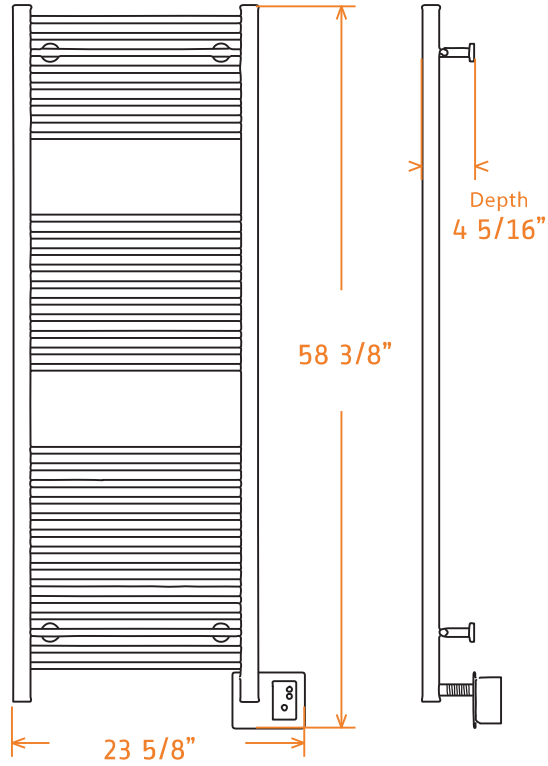


**BRUSHED**

The stylish, Italian-made Antus Collection features a contemporary design with round horizontal bars. This versatile collection is perfect for drying and warming towels. Made of high quality stainless steel, the Antus Collection is offered in brushed and polished stainless steel. We offer additional sizes as special order items. Each Antus includes a digital heat controller, allowing the choice of 9 different heat levels.



32 BARS  
 FITS 6  
 TOWELS



## A2056

ELECTRICAL

HEAT OUTPUT

W: 23 5/8"  
 H: 58 3/8"

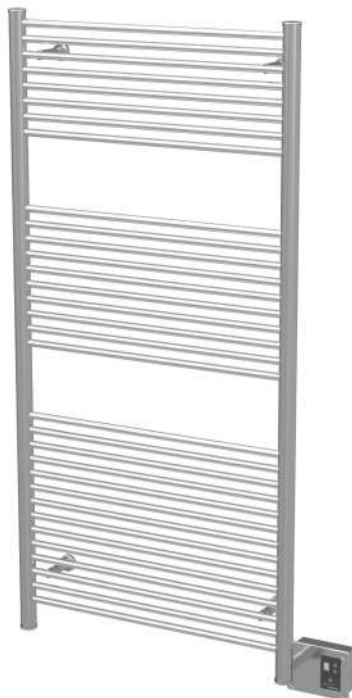
400 watts  
 3.5 amps

BTUs  
 1364

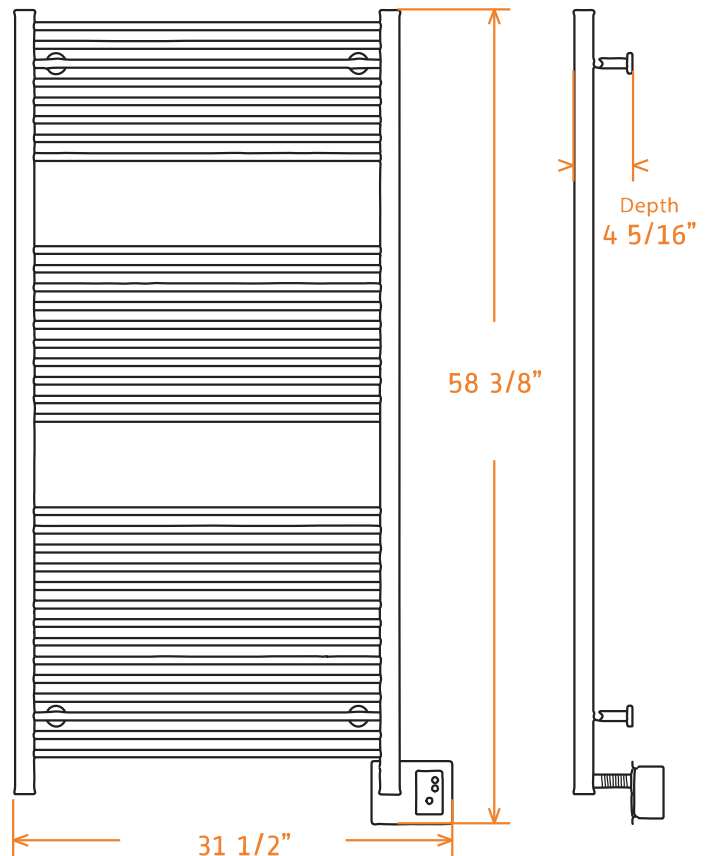
**SKUS**

POLISHED:  
 A2056P

BRUSHED:  
 A2056B



32 BARS  
 FITS 6  
 TOWELS



## A2856

ELECTRICAL

HEAT OUTPUT

W: 31 1/2"  
 H: 58 3/8"

530 watts  
 4.6 amps

BTUs  
 1807

**SKUS**

POLISHED:  
 A2856P

BRUSHED:  
 A2856B

PLEASE NOTE - PRODUCT SPECS ARE SUBJECT TO CHANGE WITHOUT NOTICE - PLEASE REFER TO  
 FULL TECHNICAL DRAWINGS ON WEBSITE FOR ACCURATE DIMENSIONS

# ACCESSORIES

SOLD SEPARATELY



**PROGRAMMABLE  
TIMER**

HARDWIRED

BLACK COLOR  
CHANGE KIT:  
ATW-T24-BL

ATW-T24

5 YEAR LIMITED WARRANTY

DOES NOT INCLUDE COVER PLATE

A 7-Day / 24-Hour Programmable Hardwired timer that allows you to set specific times of day when your heated towel rack turns on and off. Includes Light Almond / Ivory / White panel cover options.



**WIFI SMART  
SWITCH**

HARDWIRED

BLACK COLOR  
CHANGE KIT:  
ATW-SS-BL

ATW-SS

2 YEAR LIMITED WARRANTY

Program your Heated Towel Rack to turn on and off using a smart device. Works with the My Leviton App to sync with optional Amazon Alexa or Google Assistant.



**COUNTDOWN  
TIMER**

HARDWIRED


BLACK COLOR  
CHANGE KIT:  
ATW-CDT-BL

ATW-CDT

5 YEAR LIMITED WARRANTY

DOES NOT INCLUDE COVER PLATE

A timer that operates for a specific duration and then turns off – Features 2/4/8/12 hour duration options. Includes Light Almond / Ivory / White control panel cover options.



**PILOT LIGHT  
SWITCH**

HARDWIRED

WHITE:  
ATW-S-W      ALMOND:  
ATW-S-A

10 YEAR LIMITED WARRANTY

DOES NOT INCLUDE COVER PLATE

A simple on/off switch with a glowing red light to indicate when your heated towel rack is on and receiving power.



**BATHROBE HANGER**

POLISHED:  
AA-BH-P      BRUSHED:  
AA -BH-B

Attaches to Antus towel racks and offers a place to hang a bathrobe or other clothes.

# CONTROLLERS

FOR MORE INFO SEE PAGE 9



**DIGITAL HEAT CONTROLLER**



**REMOTELY-WIRED  
DIGITAL HEAT CONTROLLER**



**DIGITAL HEAT  
CONTROLLER**

ATW-DHC-P  
ATW-DHC-B

Replacement digital heat controller that comes standard with all Antus Collection models



**REMOTELY WIRED DIGITAL  
HEAT CONTROLLER**

ATW-DHCR-P  
ATW-DHCR-B

Replaces the standard Digital Heat Controller with a single-gang box and a separate controller that can be wired remotely of the unit.



**PLATE COVER KIT**

POLISHED:  
AE-PCK-P      BRUSHED:  
AE-PCK-B

Replacement Push Button Switch and cover plate (can be used instead of DHC)

**BRACKET PACKS**

FOR SKUS LIST SEE COMPONENTS  
PAGE 68

Replacement bracket packs for mounting Antus models

FOR MORE INFORMATION ON CONTROLLERS SEE PAGE 8

# ANTUS SPECIAL ORDERS

		HEIGHT					
		42 3/8"	50 3/8"	58 3/8"	66 1/2"	74 1/2"	82 1/2"
WIDTH	19 5/8"	A1640	A1648	A1656	A1664	A1672	A1680
	23 5/8"	A2040	A2048	<b>A2056</b> STOCKED ITEM [Ships in 1-2 Days]	A2064	A2072	A2080
	27 1/2"	A2440	A2448	A2456	A2464	A2472	A2480
	31 1/2"	A2840	A2848	<b>A2856</b> STOCKED ITEM [Ships in 1-2 Days]	A2864	A2872	A2880
	35 3/8"	A3240	A3248	A3256	A3264	A3272	A3280
	39 3/8"	A3540	A3548	A3556	A3564	A3572	A3580

MEASUREMENTS REFLECT OVERALL DIMENSIONS, UNIT DIMENSIONS MAY VARY



**SHIPPING & HANDLING**

NOT INCLUDED

**LEAD TIMES**  
**12-14 WEEKS**

FROM RECEIPT OF PAYMENT  
FOR SPECIAL ORDERS

**PLEASE CONTACT US FOR PRICING  
AND SPECIFICATIONS**

## FINISHES:



**POLISHED**



**BRUSHED**

## SPECIAL ORDER OPTIONS:



LEFT-ASSEMBLY  
AVAILABLE



HYDRONIC  
VALVES SOLD  
SEPARATELY



VOLTAGE  
ELEMENTS



STANDARD OR  
REMOTE WIRE  
DIGITAL HEAT CONTROLLER



**A2056P**



**A3548P**  
SPECIAL ORDER

**ANTUS**





# TRADITIONAL COLLECTION



MADE IN CHINA



**T-2536BN**



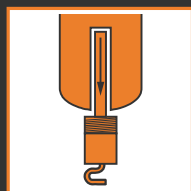
HARDWIRED  
ONLY



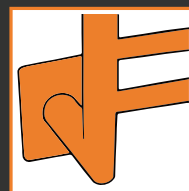
3-YEAR LIMITED  
WARRANTY



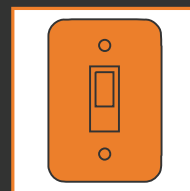
LIQUID-FILLED  
SYSTEM



REPLACEABLE  
HEATING ELEMENT



LEFT-ASSEMBLY  
AVAILABLE  
(EXTRA FEE)



REQUIRES  
SWITCH  
(NOT INCLUDED)

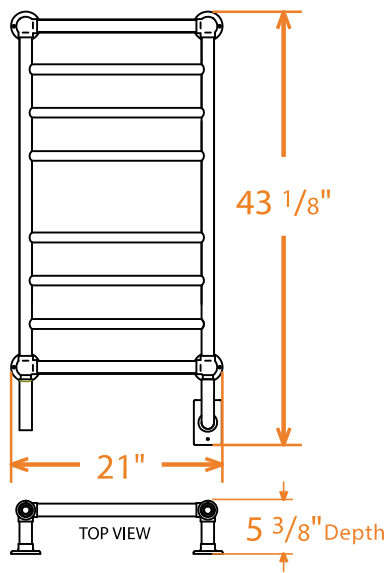
**120 VOLT**  
STANDARD VOLTAGE

**140–158°F**  
AVERAGE TEMP. RANGE

**30–40M**  
WARM-UP TIME

**HIGH-QUALITY  
MILD STEEL**

8 BARS  
FITS 2 TOWELS



## T-2040

ELECTRICAL      HEAT OUTPUT

W: 21"	150 watts	BTUs
H: 43 1/8"	1.36 amps	512

**SKU**

POLISHED NICKEL:  
T-2040PN

BRUSHED NICKEL:  
T-2040BN

## FINISHES



PN

POLISHED NICKEL



BN

BRUSHED NICKEL

## ACCESSORIES

SOLD SEPARATELY



DOES NOT INCLUDE COVER PLATE

### PROGRAMMABLE TIMER



HARDWIRED

ATW-T24

BLACK COLOR  
CHANGE KIT:  
ATW-T24-BL

5 YEAR LIMITED WARRANTY

A 7-Day / 24-Hour Programmable Hardwired timer that allows you to set specific times of day when your heated towel rack turns on and off. Includes Light Almond / Ivory / White panel cover options.



### WIFI SMART SWITCH



HARDWIRED

ATW-SS

BLACK COLOR  
CHANGE KIT:  
ATW-SS-BL

2 YEAR LIMITED WARRANTY

Program your Heated Towel Rack to turn on and off using a smart device. Works with the My Leviton App to sync with optional Amazon Alexa or Google Assistant.



DOES NOT INCLUDE COVER PLATE

### COUNTDOWN TIMER



HARDWIRED

ATW-CDT

BLACK COLOR  
CHANGE KIT:  
ATW-CDT-BL

5 YEAR LIMITED WARRANTY

A timer that operates for a specific duration and then turns off – Features 2/4/8/12 hour duration options. Includes Light Almond / Ivory / White control panel cover options.



DOES NOT INCLUDE COVER PLATE

### PILOT LIGHT SWITCH



HARDWIRED

WHITE:  
ATW-S-W

ALMOND:  
ATW-S-A

10 YEAR LIMITED WARRANTY

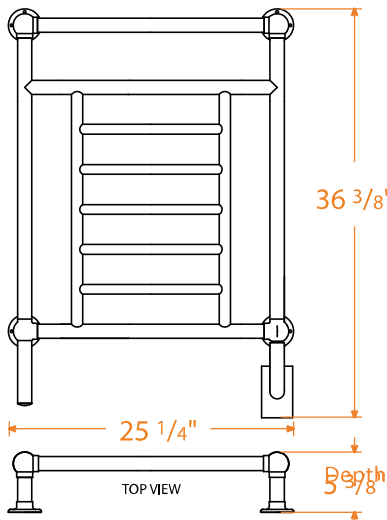
A simple on/off switch with a glowing red light to indicate when your heated towel rack is on and receiving power.

FOR MORE INFORMATION ON CONTROLLERS SEE PAGE 8

FOR REPLACEMENT BRACKET PACKS  
SEE COMPONENTS PAGE 68

PLEASE NOTE - PRODUCT SPECS ARE SUBJECT TO CHANGE WITHOUT NOTICE - PLEASE REFER TO FULL TECHNICAL DRAWINGS ON WEBSITE FOR ACCURATE DIMENSIONS

8 BARS  
FITS 2 TOWELS



## T-2536

ELECTRICAL      HEAT OUTPUT

W: 25 1/4"	150 watts	BTUs
H: 35 1/4"	1.36 amps	512

**SKU**

POLISHED NICKEL:  
T-2536PN

BRUSHED NICKEL:  
T-2536BN

This expertly crafted Collection features round bars with beautiful finial accents. Traditional models are nickel plated in polished or brushed finish, fitting perfectly into a traditional space. Using replaceable heating elements, these liquid-filled electric heated towel racks are efficient and reliable.



**T-2536BN**



**T-2040PN**



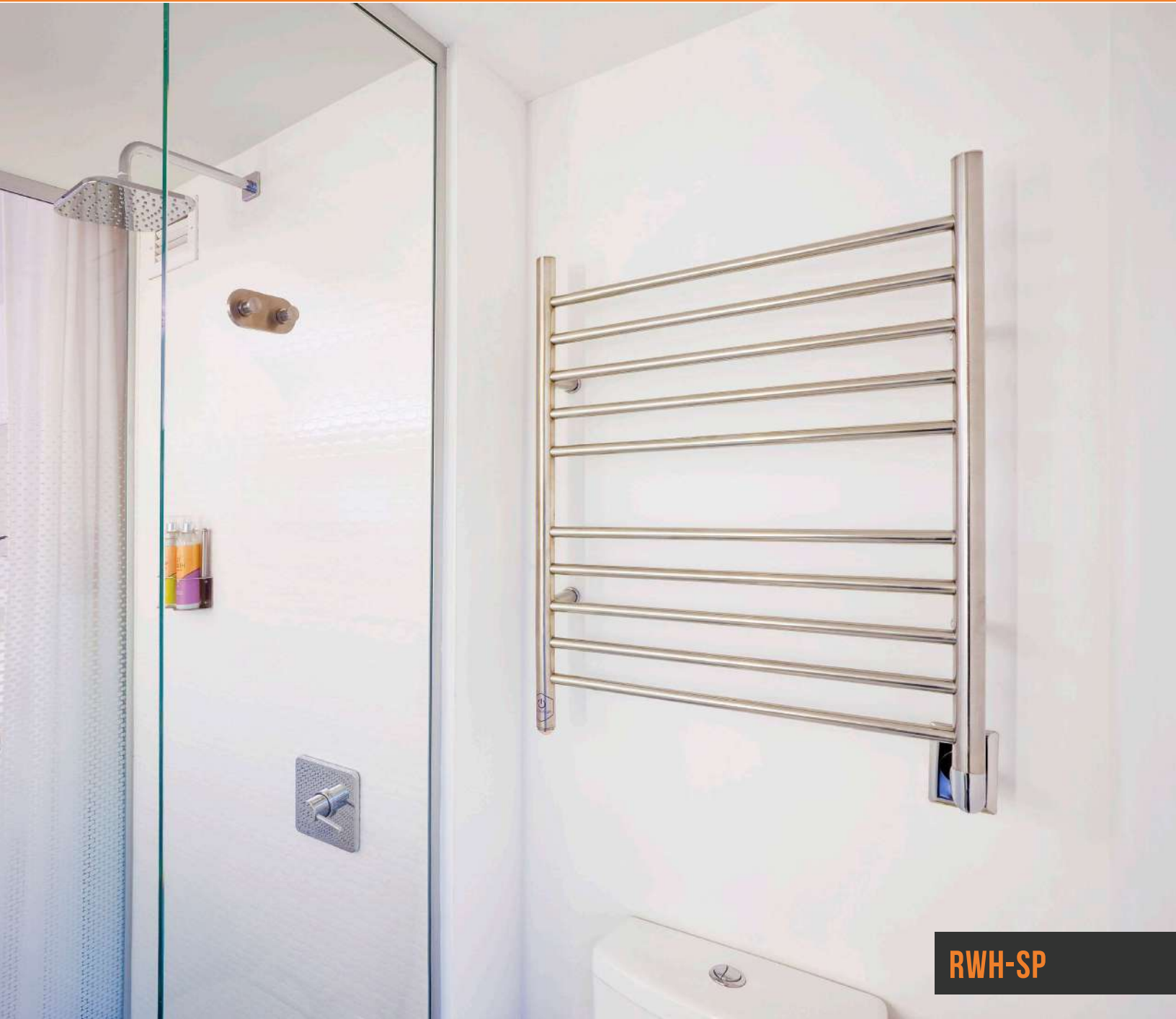
T-2536PN



# RADIANT COLLECTION



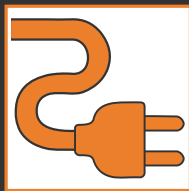
MADE IN CHINA



**RWH-SP**



HARDWIRED



PLUG-IN



2-YEAR  
WARRANTY



DRY ELEMENT  
SYSTEM



INTEGRATED  
SWITCH

**120 VOLT**  
STANDARD VOLTAGE

**UP TO 149°F**  
AVERAGE TEMP RANGE

**10-15M**  
WARM-UP TIME

304-GRADE  
**STAINLESS STEEL**

THE RADIANT COLLECTION IS DESIGNED TO HOLD NO MORE THAN 2 TOWELS AT ONE TIME — DO NOT OVERLOAD



	BARS	MAX # TOWELS	WIDTH	HEIGHT	DEPTH	WATTAGE	AMPS	BTUS
RADIANT HARDWIRED STRAIGHT	10	2	24 3/8"	33 1/2"	4 3/4"	150	1.3	512
RADIANT HARDWIRED CURVED	10	2	24 3/8"	33 1/2"	5 3/4"	150	1.3	512
RADIANT PLUG-IN STRAIGHT	10	2	23 5/8"	31 1/2"	4 3/4"	150	1.3	512
RADIANT PLUG-IN CURVED	10	2	23 5/8"	31 1/2"	5 3/4"	150	1.3	512
RADIANT SQUARE HARDWIRED	10	2	24 3/8"	31 1/2"	4 3/4"	150	1.3	512
RADIANT SQUARE PLUG-IN	10	2	23 5/8"	31 1/2"	4 3/4"	150	1.3	512
RADIANT SHELF	8	2	24 3/8"	19 1/8"	14"	110	1.1	375
RADIANT SMALL	7	1	20 3/8"	21 1/4"	4 3/4"	60–80	0.5–0.67	205
RADIANT LARGE HARDWIRED STRAIGHT	12	2	24 3/8"	43"	4 3/4"	150	1.3	512
RADIANT LARGE HARDWIRED CURVED	12	2	24 3/8"	43"	5 3/4"	150	1.3	512
RADIANT LARGE HARDWIRED SQUARE	12	2	24 3/8"	41 3/8"	4 3/4"	150	1.3	512

**FINISHES**



**AVAILABLE MODELS:**

**RWH-SMB**  
HARDWIRED STRAIGHT  
**RWHL-SMB**  
HARDWIRED LARGE STRAIGHT  
**RWHS-SMB**  
SMALL



**AVAILABLE MODELS:**

**RWH-SSB**  
HARDWIRED STRAIGHT  
**RWHS-SSB**  
SMALL



**AVAILABLE MODELS:**

**RWH-SPG**  
HARDWIRED STRAIGHT  
**RWHS-SPG**  
SMALL

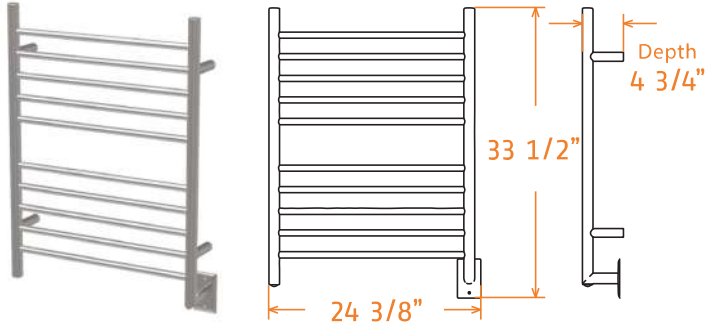
The Radiant Collection is one of our most popular heated towel racks — affordable and efficient. Each model includes an integrated toggle switch located at the bottom of the vertical bar. Most models offered in both hardwired and plug-in variations for any application!



**INTEGRATED ON/OFF SWITCH**

Allows complete control of the unit with the integrated illuminating on/off switch

10 BARS  
FITS 2 TOWELS

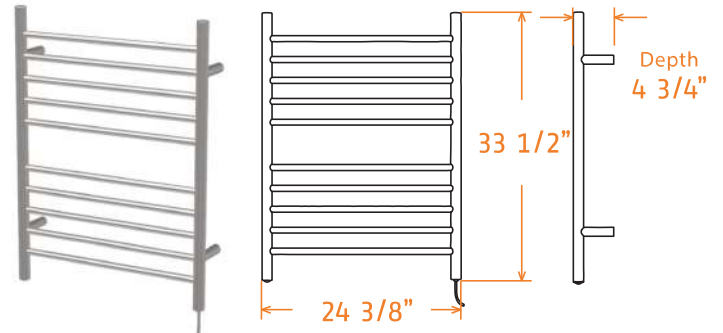


## RADIANT HARDWIRED STRAIGHT

ELECTRICAL	HEAT OUTPUT
W: 24 3/8"	150 watts
H: 33 1/2"	1.3 amps
	BTUs
	512

POLISHED: RWH-SP    BRUSHED: RWH-SB    MATTE BLACK: RWH-SMB    SATIN BRASS: RWH-SSB    POLISHED GOLD: RWH-SPG

10 BARS  
FITS 2 TOWELS

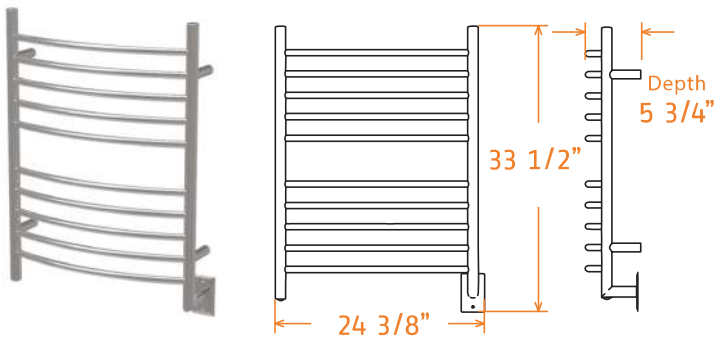


## RADIANT PLUG-IN STRAIGHT

ELECTRICAL	HEAT OUTPUT
W: 23 5/8"	150 watts
H: 31 1/2"	1.3 amps
	BTUs
	512

**SKU**    POLISHED: RWP-SP    BRUSHED: RWP-SB

10 BARS  
FITS 2 TOWELS

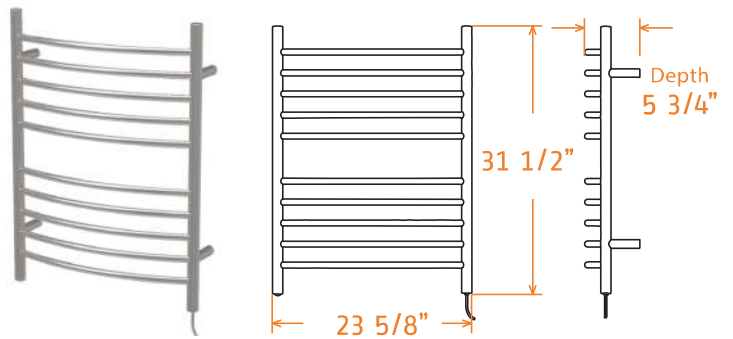


## RADIANT HARDWIRED CURVED

ELECTRICAL	HEAT OUTPUT
W: 24 3/8"	150 watts
H: 33 1/2"	1.3 amps
	BTUs
	512

**SKU**    POLISHED: RWH-CP    BRUSHED: RWH-CB

10 BARS  
FITS 2 TOWELS

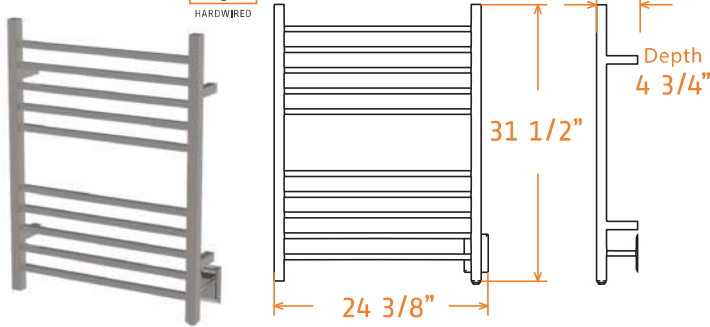


## RADIANT PLUG-IN CURVED

ELECTRICAL	HEAT OUTPUT
W: 23 5/8"	150 watts
H: 31 1/2"	1.3 amps
	BTUs
	512

**SKU**    POLISHED: RWP-CP    BRUSHED: RWP-CB

10 BARS  
FITS 2 TOWELS



## RADIANT SQUARE HARDWIRED

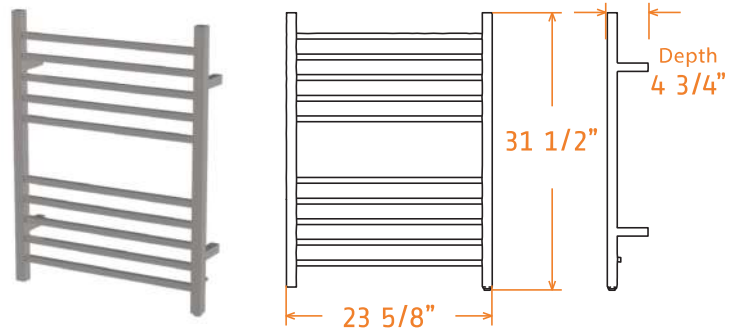
ELECTRICAL HEAT OUTPUT

W: 24 3/8" 150 watts BTUs  
H: 31 1/2" 1.3 amps 512

SKU

POLISHED: RSWH-P BRUSHED: RSWH-B

10 BARS  
FITS 2 TOWELS



## RADIANT SQUARE PLUG-IN

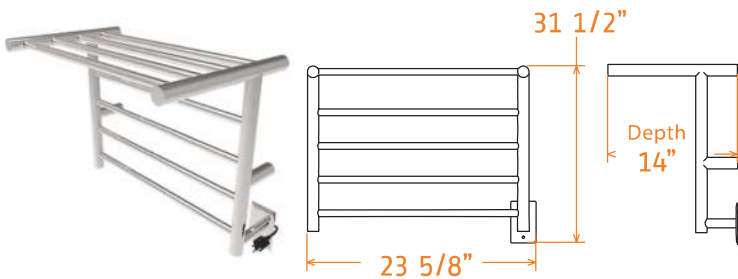
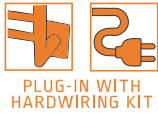
ELECTRICAL HEAT OUTPUT

W: 23 5/8" 150 watts BTUs  
H: 31 1/2" 1.3 amps 512

SKU

POLISHED: RSWP-P BRUSHED: RSWP-B

8 BARS  
FITS 2 TOWELS



## RADIANT SHELF

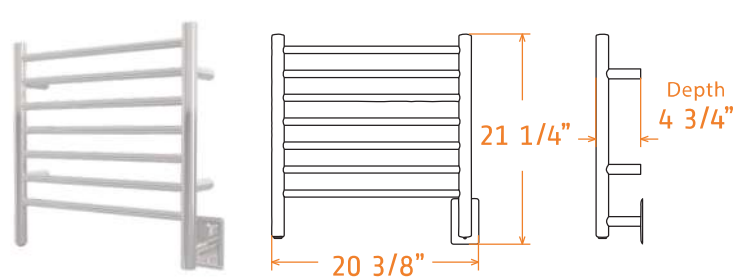
ELECTRICAL HEAT OUTPUT

W: 23 5/8" 110 watts BTUs  
H: 19 1/8" 1.1 amps 375

SKU

POLISHED: RSH-P BRUSHED: RSH-B

7 BARS  
FITS 1 TOWEL



## RADIANT SMALL

ELECTRICAL HEAT OUTPUT

W: 20 3/8" 60-80 watts BTUs  
H: 21 1/4" 0.5-0.67 amps 272

POLISHED: RWHS-SP BRUSHED: RWHS-SB MATTE BLACK: RWHS-SMB SATIN BRASS: RWHS-SSB POLISHED GOLD: RWHS-SPG



12 BARS  
FITS 2 TOWELS

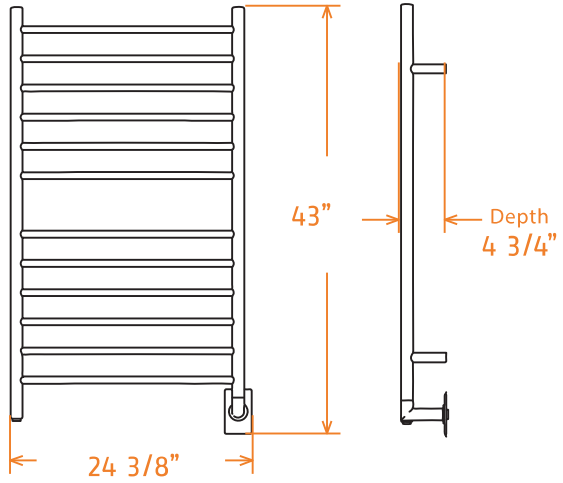


### RADIANT LARGE HARDWIRED STRAIGHT



ELECTRICAL

HEAT OUTPUT



W: 24 3/8"  
H: 43"

150 watts  
1.3 amps

BTUs  
512

SKU

POLISHED:  
RWHL-SP

BRUSHED:  
RWHL-SB

MATTE BLACK:  
RWHL-SMB

12 BARS  
FITS 2 TOWELS

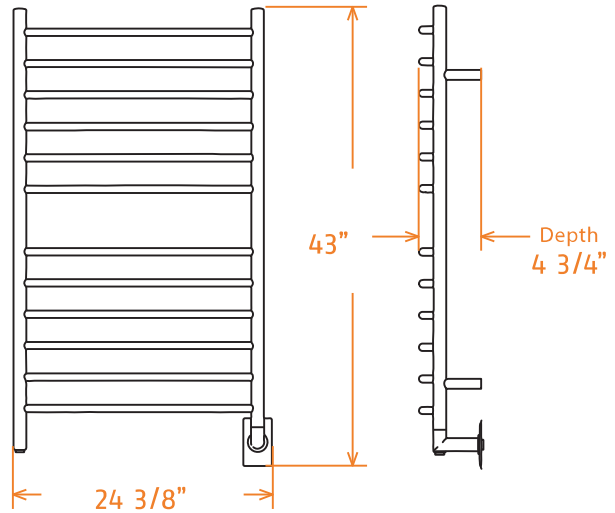


### RADIANT LARGE HARDWIRED CURVED



ELECTRICAL

HEAT OUTPUT



W: 24 3/8"  
H: 43"

150 watts  
1.3 amps

BTUs  
512

SKU

POLISHED:  
RWHL-CP

BRUSHED:  
RWHL-CB

12 BARS  
FITS 2 TOWELS

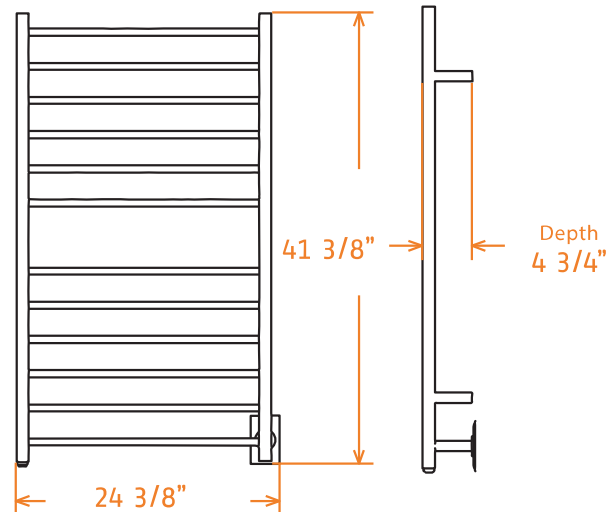


### RADIANT LARGE HARDWIRED SQUARE



ELECTRICAL

HEAT OUTPUT



W: 24 3/8"  
H: 41 3/8"

150 watts  
1.3 amps

BTUs  
512

SKU

POLISHED:  
RSWHL-P

BRUSHED:  
RSWHL-B

# ACCESSORIES

SOLD SEPARATELY



**PROGRAMMABLE  
TIMER**   
HARDWIRED

ATW-T24      BLACK COLOR  
CHANGE KIT:  
ATW-T24-BL

DOES NOT INCLUDE COVER PLATE      5 YEAR LIMITED WARRANTY

A 7-Day / 24-Hour Programmable Hardwired timer that allows you to set specific times of day when your heated towel rack turns on and off. Includes Light Almond / Ivory / White panel cover options.



**PROGRAMMABLE  
TIMER**   
PLUG-IN

ATW-P24

1 YEAR LIMITED WARRANTY

A 7-Day / 24-Hour Programmable Plug-In timer that allows you to set specific times of day when your heated towel rack turns on and off.



**WIFI SMART  
SWITCH**   
HARDWIRED

ATW-SS      BLACK COLOR  
CHANGE KIT:  
ATW-SS-BL

2 YEAR LIMITED WARRANTY

Program your Heated Towel Rack to turn on and off using a smart device. Works with the My Leviton App to sync with optional Amazon Alexa or Google Assistant.



**COUNTDOWN  
TIMER**   
HARDWIRED

ATW-CDT      BLACK COLOR  
CHANGE KIT:  
ATW-CDT-BL

DOES NOT INCLUDE COVER PLATE      5 YEAR LIMITED WARRANTY

A timer that operates for a specific duration and then turns off – Features 2/4/8/12 hour duration options. Includes Light Almond / Ivory / White control panel cover options.




**PILOT LIGHT  
SWITCH**   
HARDWIRED

WHITE: ATW-S-W      ALMOND: ATW-S-A

DOES NOT INCLUDE COVER PLATE      10 YEAR LIMITED WARRANTY

A simple on/off switch with a glowing red light to indicate when your heated towel rack is on and receiving power.

FOR MORE INFORMATION ON CONTROLLERS SEE PAGE 8



**RADIANT\* DOUBLE  
GANG PLATE**

AR-DGP-P      AR-DGP-SB  
AR-DGP-B      AR-DGP-PG  
AR-DGP-MB

Replace the single gang plate included with all Radiant models with the double gang plate to conveniently locate the controller adjacent to the unit.

\*Radiant Square Models use the Jeeves DGP [see page.17]




Radiant Double Gang Plate [Polished] + Countdown Timer with Black Color Kit

**BRACKET PACKS**

Radiant / Large Radiant Square	Radiant Small Radiant Shelf
-----------------------------------	--------------------------------

FOR FULL SKU LIST SEE COMPONENTS  
PAGE 68

Replacement bracket packs for mounting Radiant models



**INTEGRATED ON/OFF  
ILLUMINATING SWITCH**

Each Radiant model features an integrated on/off illuminating switch, and does not require additional controls to function.



**RWHS-SSB**



**RWP-SP**



**RWHL-SP**



**RADIANT**

**RWH-SMB**



# SOLO COLLECTION



MADE IN CHINA



**SAFSP-24**



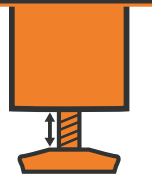
PLUG-IN

**2**

2-YEAR  
WARRANTY

**DE**

DRY ELEMENT  
SYSTEM



ADJUSTABLE  
HEIGHT LEGS



INTEGRATED  
SWITCH



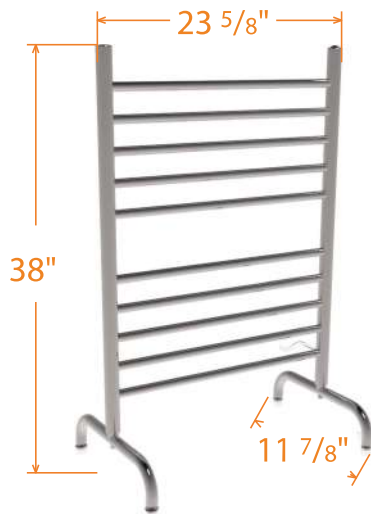
FREESTANDING

**120 VOLT**  
STANDARD VOLTAGE

**UP TO 149°F**  
AVERAGE TEMP RANGE

**10-15M**  
WARM-UP TIME

304-GRADE  
**STAINLESS STEEL**



10 BARS  
FITS 2 TOWELS



10 BARS  
FITS 2 TOWELS

### SOLO 24"

ELECTRICAL HEAT OUTPUT

W: 23 5/8"	150 watts	BTUs
H: 38"	1.35 amps	512

SKU

POLISHED: SAFSP-24 BRUSHED: SAFSB-24 MATTE BLACK: SAFSMB-24

### SOLO 33"

ELECTRICAL HEAT OUTPUT

W: 32 1/2"	150 watts	BTUs
H: 38"	1.35 amps	512

SKU

POLISHED: SAFSP-33 BRUSHED: SAFSB-33 MATTE BLACK: SAFSMB-33

### FINISHES



POLISHED

BRUSHED

MATTE BLACK

### ACCESSORIES



#### PROGRAMMABLE TIMER

PLUG-IN

**ATW-P24**

1 YEAR LIMITED WARRANTY

A 7-Day / 24-Hour Programmable Plug-In timer that allows you to set specific times of day when your heated towel rack turns on and off.

FOR MORE INFORMATION ON CONTROLLERS SEE PAGE 8



### PLUG-IN CORD

Each Solo model features a 5' long cord to easily reach outlets. Polished and Brushed models have a white cable (pictured left) and matte black have a black cable.



### SWITCH

Integrated on/off switch illuminates when the unit is heating. Transparent, rubber boot makes the switch water resistant.

The Solo Collection is an affordable, freestanding heated towel rack that requires no installation and assembles in a few minutes. Lightweight and portable, these plug-in heated towel racks are easy to move from the bathroom to the laundry room or pool area.

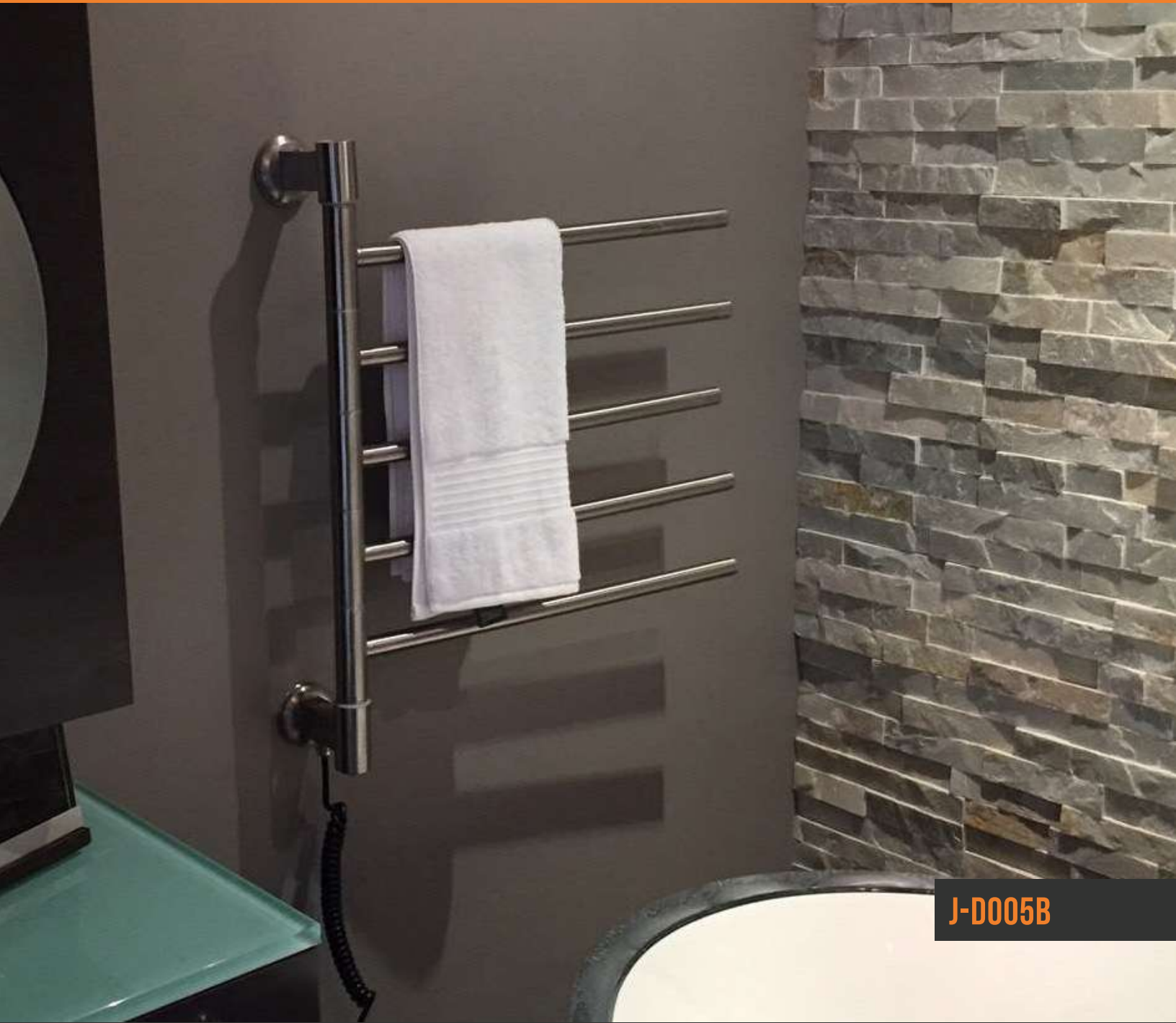
PLEASE NOTE - PRODUCT SPECS ARE SUBJECT TO CHANGE WITHOUT NOTICE - PLEASE REFER TO FULL TECHNICAL DRAWINGS ON WEBSITE FOR ACCURATE DIMENSIONS



# SWIVEL COLLECTION



MADE IN CHINA



J-D005B



PLUG-IN



2-YEAR  
WARRANTY



DRY ELEMENT  
SYSTEM



INTEGRATED  
SWITCH

**120 VOLT**  
STANDARD VOLTAGE

**UP TO 136°F**  
AVERAGE TEMP RANGE

**10-15M**  
WARM-UP TIME

304-GRADE  
**STAINLESS STEEL**



J-D005



J-D006



J-B003



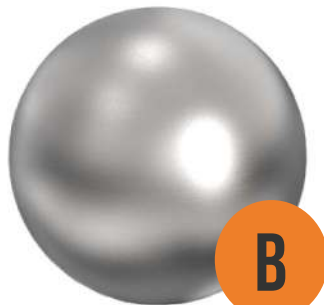
J-B004

	BARS	MAX # TOWELS	WIDTH	HEIGHT	DEPTH	WATTAGE	AMPS	BTUS
J-D005	5	1	21 7/8"	25 1/4"	4 1/4"	50	0.45	171
J-D006	6	2	21 7/8"	29 1/8"	4 1/4"	60	0.55	205
J-B003	6	1	25"	29 1/8"	4 1/4"	54	0.49	184
J-B004	8	2	25"	37"	4 1/4"	72	0.65	246

## FINISHES



POLISHED



BRUSHED

## ACCESSORIES



**PROGRAMMABLE  
TIMER**



ATW-P24

1 YEAR LIMITED WARRANTY

A 7-Day / 24-Hour Programmable Plug-In timer that allows you to set specific times of day when your heated towel rack turns on and off.

FOR MORE INFORMATION ON CONTROLLERS SEE PAGE 8

FOR REPLACEMENT BRACKET PACKS  
SEE COMPONENTS PAGE 68



## PLUG-IN CORD

Each Swivel model features a 17"–32" long, black pigtail cord to easily reach outlets.



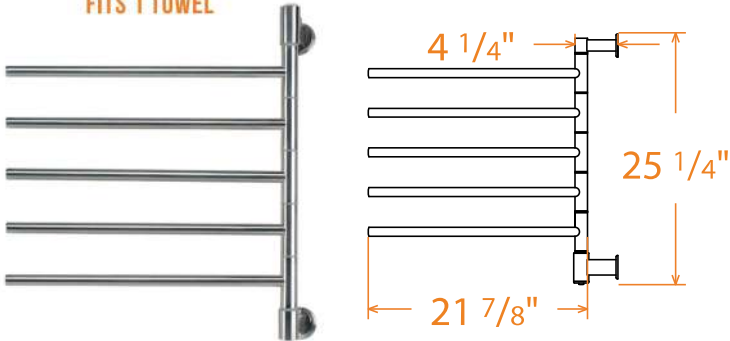
## SWITCH

Integrated on/off switch illuminates when the unit is heating. Transparent, rubber boot makes the switch water resistant.

The unique design of the Swivel Collection is ideal for small spaces — Featuring swivel hinges allowing each bar to rotate 180° independently from the next bar. The lower temperature range of these models makes them more suited to be used as drying racks rather than towel warmers.



5 BARS  
FITS 1 TOWEL



### J-D005

ELECTRICAL	HEAT OUTPUT
50 watts	BTUs
0.45 amps	171

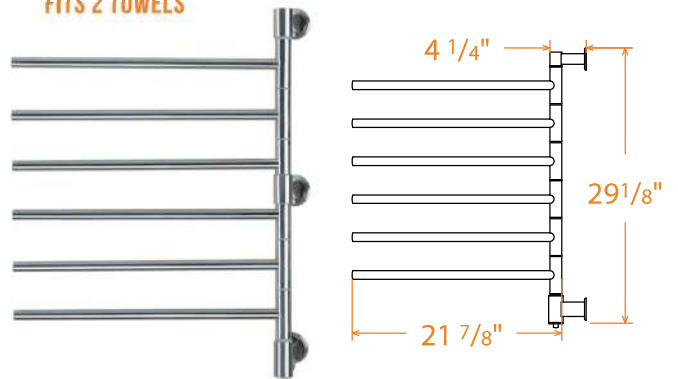
W: 21 7/8"  
H: 25 1/4"

**SKU**

POLISHED:  
J-D005P

BRUSHED:  
J-D005B

6 BARS  
FITS 2 TOWELS



### J-D006

ELECTRICAL	HEAT OUTPUT
60 watts	BTUs
0.55 amps	205

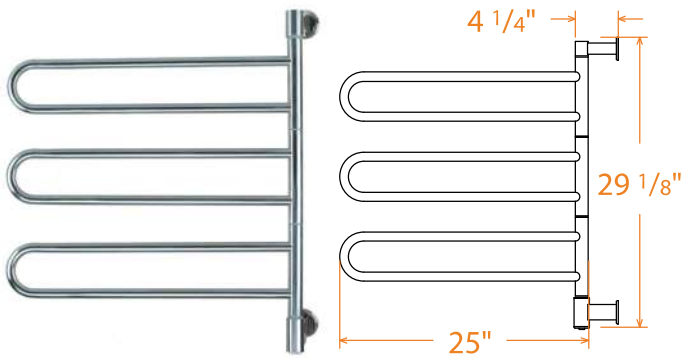
W: 21 7/8"  
H: 29 1/8"

**SKU**

POLISHED:  
J-D006P

BRUSHED:  
J-D006B

6 BARS  
FITS 1 TOWEL



### J-B003

ELECTRICAL	HEAT OUTPUT
54 watts	BTUs
0.49 amps	184

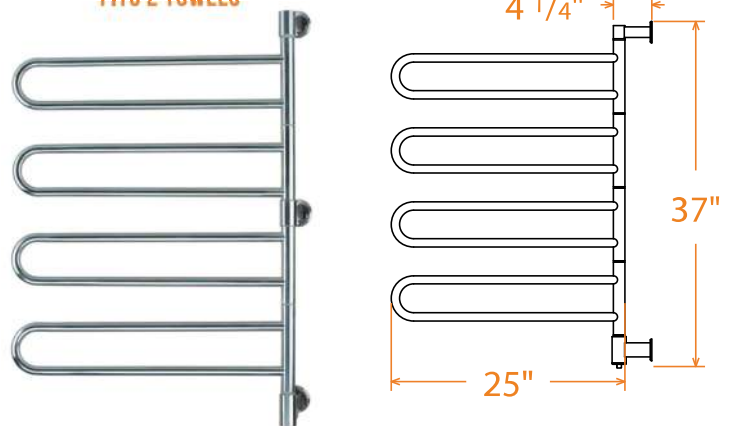
W: 25"  
H: 29 1/8"

**SKU**

POLISHED:  
J-B003P

BRUSHED:  
J-B003B

8 BARS  
FITS 2 TOWELS



### J-B004

ELECTRICAL	HEAT OUTPUT
72 watts	BTUs
0.65 amps	246

W: 25"  
H: 37"

**SKU**


POLISHED:  
J-B004P


BRUSHED:  
J-B004B



# BRACKET PACKS

# COMPONENTS

JEEVES	FINISH	STANDARD	SHORT [-10mm / 3/8"]	EXTRA-SHORT [-25mm / 1"]	LONG [+10mm / 3/8"]
	POLISHED	AJ-BP-P	AJ-BPS-P	AJ-BPXS-P	AJ-BPL-P
	BRUSHED	AJ-BP-B	AJ-BPS-B	AJ-BPXS-B	AJ-BPL-B
	MATTE BLACK	AJ-BP-MB	AJ-BPS-MB	AJ-BPXS-MB	AJ-BPL-MB
	OIL-RUBBED BRONZE	AJ-BP-O	AJ-BPS-O	AJ-BPXS-O	AJ-BPL-O
	WHITE	AJ-BP-W	AJ-BPS-W	AJ-BPXS-W	AJ-BPL-W

RADIANT	FINISH	STANDARD/LARGE	SQUARE	SMALL	SHELF
	POLISHED	AR-BP-P	AR-BPSQ-P	AR-BPSM-P	AR-BPSH-P
	BRUSHED	AR-BP-B	AR-BPSQ-B	AR-BPSM-B	AR-BPSH-B
	MATTE BLACK	AR-BP-MB		AR-BPSM-MB	
	SATIN BRASS	AR-BP-SB		AR-BPSM-SB	
	POLISHED GOLD	AR-BP-PG		AR-BPSM-PG	

SIRIO	FINISH	STANDARD	LONG [+10mm / 3/8"]
	POLISHED	AR-BP-P	AR-BPL-P
	BRUSHED	AR-BP-B	AR-BPL-B
	OIL-RUBBED BRONZE	AR-BP-O	AR-BPL-O
	SATIN BRASS	AR-BP-SB	AR-BPL-SB



SWIVEL	
BRACKETS	SKU
2-Pack	ASW-BP2
3-Pack	ASW-BP3

VEGA/QUADRO	FINISH	STANDARD	LONG [+10MM / 3/8"]
	POLISHED	AVQ-BP-P	AVQ-BPL-P
	BRUSHED	AVQ-BP-B	AVQ-BPL-B
	MATTE BLACK	AVQ-BP-MB	AVQ-BPL-MB
	WHITE	AVQ-BP-W	AVQ-BPL-W



TRADITIONAL	
FINISH	STANDARD
POLISHED NICKEL	AT-BP-PN
BRUSHED NICKEL	AT-BP-BN

ANTUS	
FINISH	STANDARD
POLISHED	AA-BP-P
BRUSHED	AA-BP-B

## ELEMENTS



JEEVES			
J HE-60 watt	J HE-80 watt	J HE-100 watt	J HE-135 watt
J HE-150 watt	J HE-175 watt	J HE-200 watt	J HE-240 watt

TRADITIONAL
T HE-150 watt

# TERMS AND CONDITIONS OF SALE

1. All products supplied are deemed to be free from manufacturing defects and in working order. Ownership is transferred on payment of the full purchase price as agreed and noted in the purchase order furnished by the buyer and confirmed by the seller.
2. Prices are quoted ex Atlanta, GA, USA and do not include shipping and handling costs [US Only]. The shipping and handling costs will be agreed at time of order.
3. Net payment is due thirty [30] days from the date of shipment for credit qualifying customers. A charge will be added to the unpaid balance on all invoices not paid by the due date.
4. Seller's liability is limited to the cost of the product and does not include the cost of any other charges. Seller shall not be liable to or responsible for any consequential damages whatsoever, including but not limited to any damage or loss resulting from delay or default in delivery due to any cause.
5. Buyer expressly acknowledges and agrees that it waives any and all claims for consequential damages and/or any damages under Georgia General Laws. Seller's only liability hereunder shall be for replacement of defective goods. Replacement will be given only after Seller's inspection of the goods and its agreement to the claimed defective condition. Seller will replace product but will not accept any responsibility for installation or removal or any transport costs.
6. All claims shall be deemed waived unless made in writing and delivered to Seller within sixty [60] days after receipt by Buyer. A Guideline for Product Returns is available and needs to be followed when returning defective or damaged product.

## SPECIAL ORDER ITEMS

All special order items must be paid for up front or the Special Order Form must be completed by both Amba's customer and their client. All special order items carry a 10-16 week lead time which begins on the date the deposit or special order form is received and approved by Amba Products.

Once a deposit or Special Order form is received and approved, the orders are binding and cannot be modified or canceled for any reason. The Amba customer who places the order on behalf of their client is responsible for the cost of the product and payment is expected based upon the terms extended to Amba's customer.

# WARRANTY POLICY

If, within thirty (30) days of your order ship date, any product proves to be defective please contact your retailer immediately. Please DO NOT ship the product back to us without contacting us first and receiving an RGA (Returned Goods Authorization) Number and return instructions. Item[s] must be returns in a box comparable to the original manufacture's packaging. Pick up / replacement item[s] can only be sent to or picked up from the original "ship to" address. Only one pick-up attempt will be made.

Any time after the thirty-one (31) days of your order ship date, if a product proves to be defective; please contact your retailer immediately. Warranty begins 30 days from invoiced date. Please DO NOT ship the product back to us without contacting us first and receiving a RGA (Return Goods Authorization) Number and return instructions. It will be the customers' responsibility to get the product to and from Amba Products. This will be at the customer's expense. Please be sure to adequately package your product; Amba Products will not be held responsible for any damages that occurred during shipment. Once the product is received it will be properly inspected and tested.

Should we determine that the product is in fact defective, under warranty terms, it will be repaired and tested at our facility. You will be notified when your product will be ready for pickup or collection. If you choose to return the defective item, rather than replace it, we will charge a 15% restocking fee and your original shipping and processing charges will not be refunded. All transactions must take place under the original Purchase Order. This may only be done within the product warranty period. We will let you know our decision once we respond to your request.

## PRODUCT WARRANTY

The seller offers a warranty for products that have been installed according to the installation instructions supplied with the product. The duration of the warranty varies depending on the product. Proof of purchase must be supplied with claim. Warranty begins 30 days from invoiced date. The warranty covers defects in workmanship and materials. This warranty is only valid for product purchased and used in the United States, Canada and Mexico.

## DURATION OF WARRANTY:

- JEEVES Collection – 10 years.\*
- QUADRO Collection – 3 years.
- SIRIO Collection – 3 years.
- VEGA Collection – 3 years.
- ANTUS Collection – 3 years.
- SOLO Collection – 2 years.
- SWIVEL Collection – 2 years.
- TRADITIONAL Collection – 3 years.\*
- RADIANT Collection – 2 years

\*If the electric element in the Jeeves or Traditional heated towel rack is faulty it will be replaced within the first 2 years for any reason. Thereafter, elements can be replaced at a cost which is available on application. Power surges affect all electrical appliances and we cannot be held responsible beyond this period.