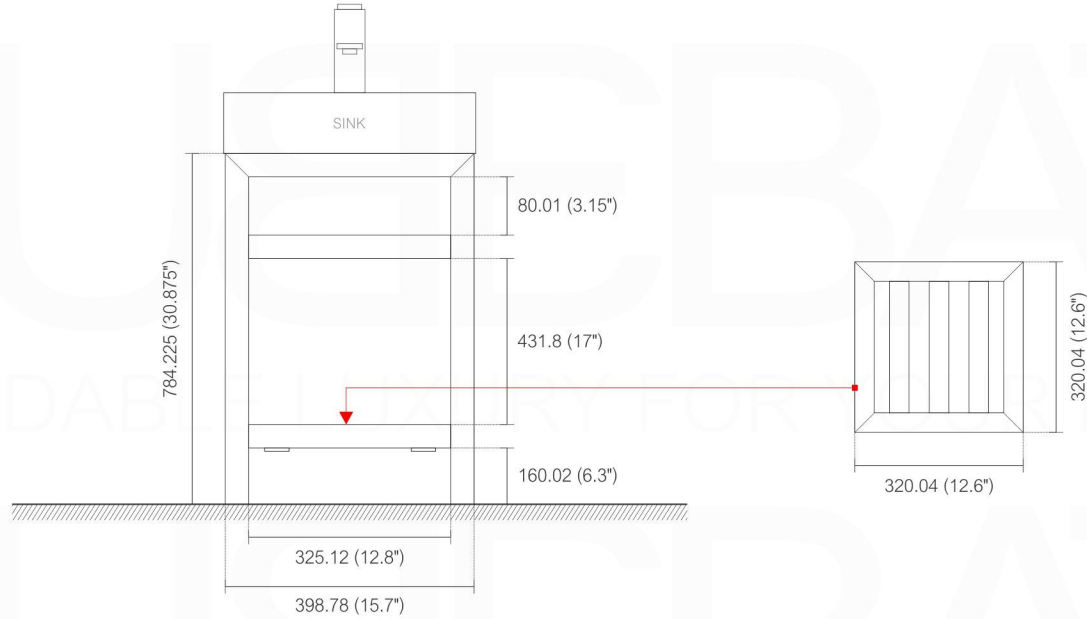


# CISCO AC16

Sink: BSL16SINK

Dimensions:	width	depth	height
inches	16"	16"	34.875"
mm	406	406	886

NOTE: DIMENSIONS AND TECHNICAL DETAILS ARE SUBJECT TO CHANGE WITHOUT NOTICE



### Vanity Installation

1. Remove all the parts from the box and assemble the Console.
2. Add a dap of silicone to the corners of the Console.
3. Gently position and align Counter top Sink onto Vanity.

