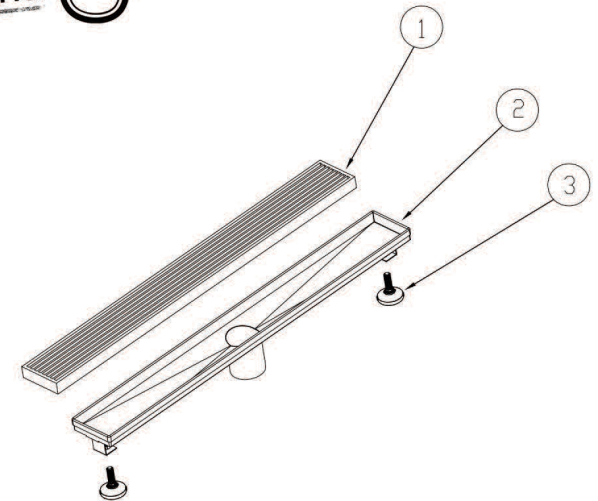
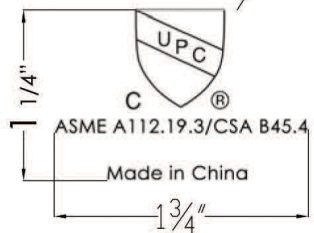


SECTION A-A



NO	DESCRIPTION	QTY	MATERIAL	SIZE
1	Linear drain cover	1	SUS304	23 ³ / ₄ "X23 ³ / ₄ "X3 ³ / ₄ "
2	Linear drain stand	1	SUS304	24"X3"X3 ³ / ₈ "(18G)
3	mounting brackets	2	composite material	Ø1 3/8 X 1 3/4