

Tetris

8961
8962

Project Name _____

Fixture Type _____

Quantity _____

Norwell | Lighting

I L E X

Custom Metalcraft

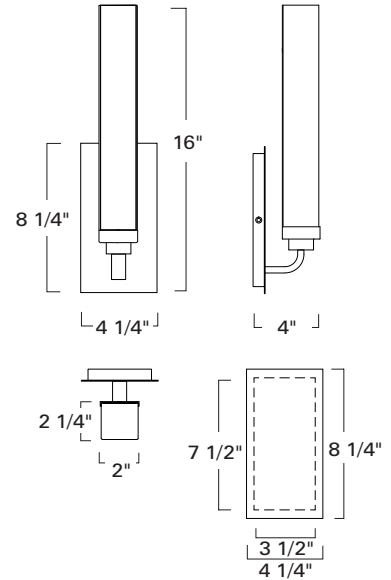


Tetris Single Sconce
8961-CH-MO

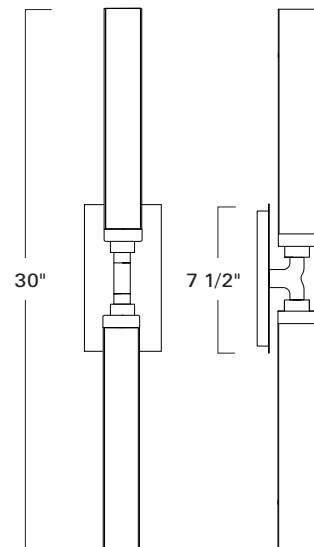


Tetris Double Sconce
8962-CH-MO

8961



8962



ADA LED

Product Name / Model / Dimensions				Finish Options	Shade Options	Lamping Options
Tetris Single Sconce - 8961 Tetris Double Sconce - 8962				Standard Brushed Nickel / BN Chrome / CH	Standard Metal Opal / MO	Standard LED / LED 8961 - 1100 lm 3000K CCT 13 Watt 120v dimmable 8962 - 2200 lm 3000K CCT 25 Watt 120v dimmable
Series	Height	Width	Projection			
8961	16.00"	4.25"	4.00"			
8962	30.00"	4.25"	3.50"			
Faceplate is 8.25" H x 4.25" W Backplate covers 7.50" H X 3.50" W area Same size for Tetris Single and Double						

Damp Location and UL/ETL Listed

10-2020

DISCLAIMER:

Norwell Lighting and its companies, ILEX Architectural Lighting and Custom Metalcraft reserve the right to change specifications related to its product at anytime. USA Made indicates product is manufactured in East Taunton, Massachusetts facility.