

# ARCTIC PENDANT

8284

Project Name \_\_\_\_\_

Fixture Type \_\_\_\_\_

Quantity \_\_\_\_\_

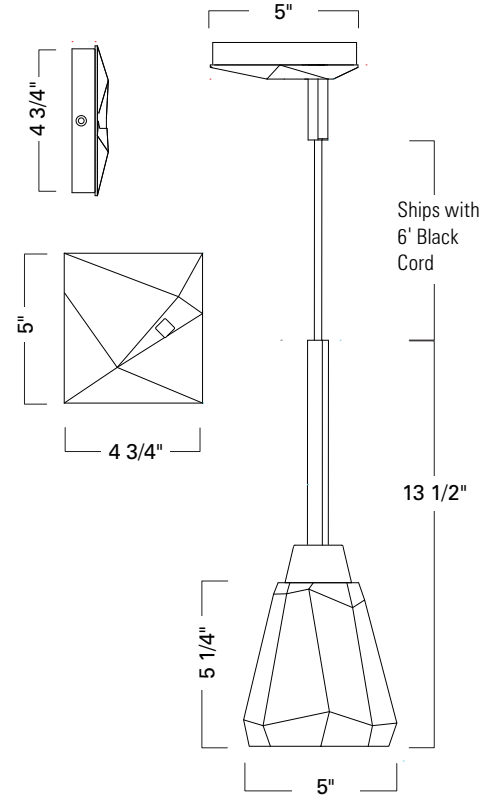
Norwell Lighting

ILEX

Custom Metalcraft



8284



Arctic Sconce  
See 8281-8282-8283 Technical Sheet



1 Light Sconce  
8281-ADB-CL



2 Light Sconce  
8282-PN-CL



3 Light Sconce  
8283-ADB-CL

| Product Name / Model / Dimensions |         |       |                          | Finish Options  | Diffuser  | Lamping Options   |
|-----------------------------------|---------|-------|--------------------------|---|---|---|
| Arctic Pendant - 8284             |         |       |                          | Standard<br>Acid Dipped Black / ADB<br>Polish Nickel / PN | Standard<br>Clear Glass / CL<br>Glass size: 5 1/4" H X 5" W | Standard<br>Incandescent<br>8284 -1-60 Watt Medium Base |
|                                   | Height  | Width | Overall Height           |   |   |   |
| 8284                              | 13 1/2" | 5"    | Ships with 6' Black Cord |   |   |   |
| Backplate 5" H X 4 3/4" W         |         |       |                          |   |   |   |

UL/ETL Listed and Wet Location

REV-2-2020

**DISCLAIMER:**

Norwell Lighting and its companies, ILEX Architectural Lighting and Custom Metalcraft reserve the right to change specifications related to its product at anytime. USA Made indicates product is manufactured in East Taunton, Massachusetts facility.