

# Slope Sconce

8144

Project Name \_\_\_\_\_

Fixture Type \_\_\_\_\_

Quantity \_\_\_\_\_

Norwell | Lighting

ILEX

Custom Metalcraft

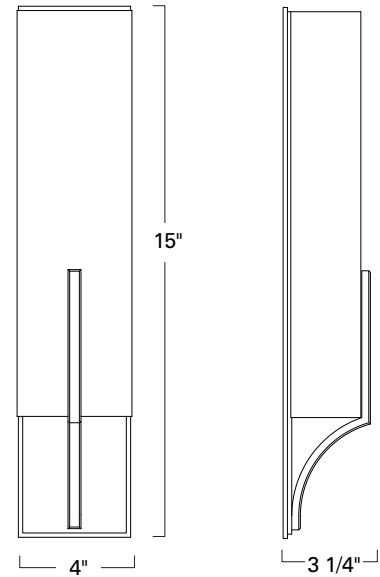


8144-CH-CL



8144-BN-CL

8144



LED

Product Name / Model / Dimensions				Finish Options	Glass	Lamping Options
Slope Sconce - 8144				<b>Standard</b> Brushed Nickel / BN Chrome / CH	<b>Standard</b> Clear Glass / CL Size: 11 3/4 H X 3 1/2 W	<b>Standard</b> LED 1080lm, 3000K CCT 12 Watt, 80CRI 120v ELV and Traic dimming
	Height	Width	Projection			
8144	15"	4"	3 1/4"			
Backplate 15 H X 4 W						

Damp Location Rated and UL/ETL Listed

REV-4-2020

**DISCLAIMER:**

Norwell Lighting and its companies, ILEX Architectural Lighting and Custom Metalcraft reserve the right to change specifications related to its product at anytime. USA Made indicates product is manufactured in East Taunton, Massachusetts facility.