

# FACETED

8143 - WALL

8145 - LINEAR WALL

Project Name \_\_\_\_\_

Fixture Type \_\_\_\_\_

Quantity \_\_\_\_\_

Norwell | Lighting

ILEX

Custom Metalcraft



Sconce  
8143-CH-CL



Sconce  
8143-BN-CL

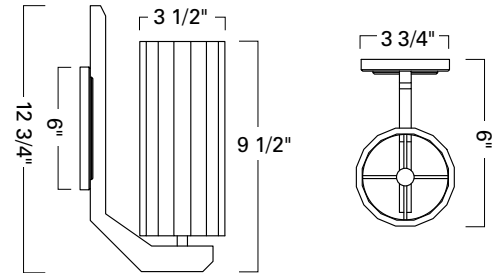


Linear Sconce  
8145-CH-CL

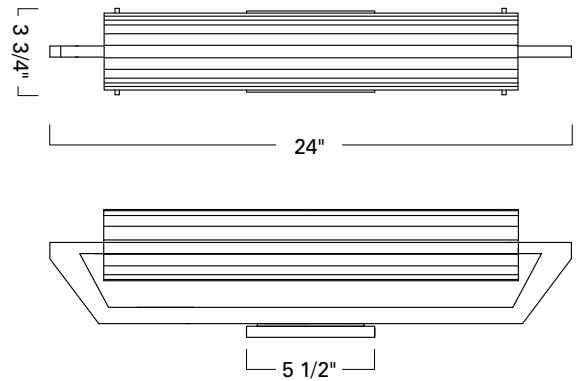


Linear Sconce  
8145-BN-CL

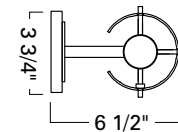
8143-Wall



8145-Linear



End View



| Product Name / Model / Dimensions |         |        |            | Finish Options                                 | Diffuser   | Lamping Options   |
|-----------------------------------|---------|--------|------------|--|--|---|
| FACETED Sconce- 8143              |         |        |            | Standard<br>Chrome / CH<br>Brushed Nickel / BN | Standard<br>Ribbed Clear Glass (CL)<br>Sconce Glass Size: 9 1/2 H X 3 1/2 W<br>Linear Glass Size: 3 1/2 H X 19 W | Standard<br>Incandescent<br>8143 - (1) 60 Watt Medium Base<br>8145 - (2) 60 Watt Medium Base<br><br>T10 style recommended |
| FACETED Linear - 8145             |         |        |            |  |  |   |
|                                   | Height  | Width  | Projection |  |  |   |
| 8143                              | 12 3/4" | 3 3/4" | 6"         |  |  |   |
| 8145                              | 3 3/4"  | 24"    | 6 1/4"     |  |  |   |
| 8143 Backplate 6 H X 3 3/4 W      |         |        |            |  |  |   |
| 8145 Backplate 3 3/4 H X 5 1/2 W  |         |        |            |  |  |   |
| *Trimplate dimensions             |         |        |            |  |  |   |

Damp Location Rated and UL/ETL Listed \*Trimplate; TP-3 4 1/4 X 6 1/4

REV-4-2020

### DISCLAIMER:

Norwell Lighting and its companies, ILEX Architectural Lighting and Custom Metalcraft reserve the right to change specifications related to its product at anytime. USA Made indicates product is manufactured in East Taunton, Massachusetts facility.