



Monaco Rain Shower System

Model #7005-CH
PW-97005-3125CP

Owner's Manual



Monaco Shower System Model #7005

Please Read The Following Instructions COMPLETELY Before Beginning!

Our goal is to ensure your installation goes smoothly and safely. Please read these instructions carefully and follow recommendations for plumbing and mounting. After reading instructions, if you determine you do not have the necessary skills and/or tools, we recommend that a licensed plumbing contractor complete the installation.

You Will Need The Following Tools

Soft pencil or felt pen to mark tile

4mm & 5mm allen wrench

Safety glasses

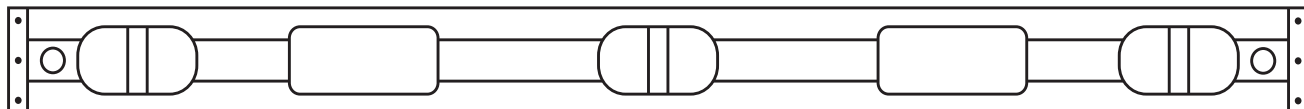
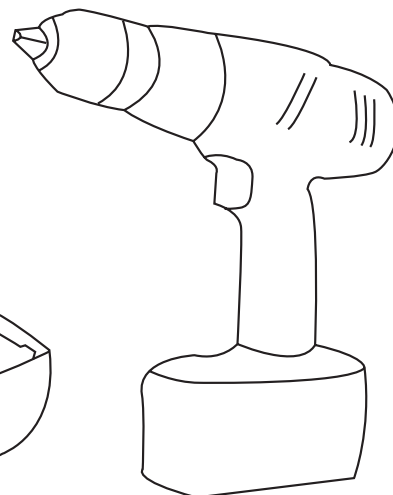
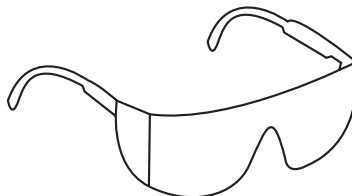
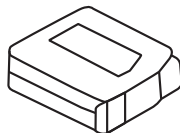
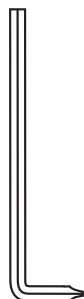
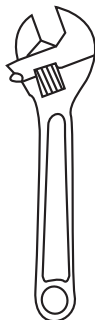
Tape measure

Level

Channel locks or adjustable wrench

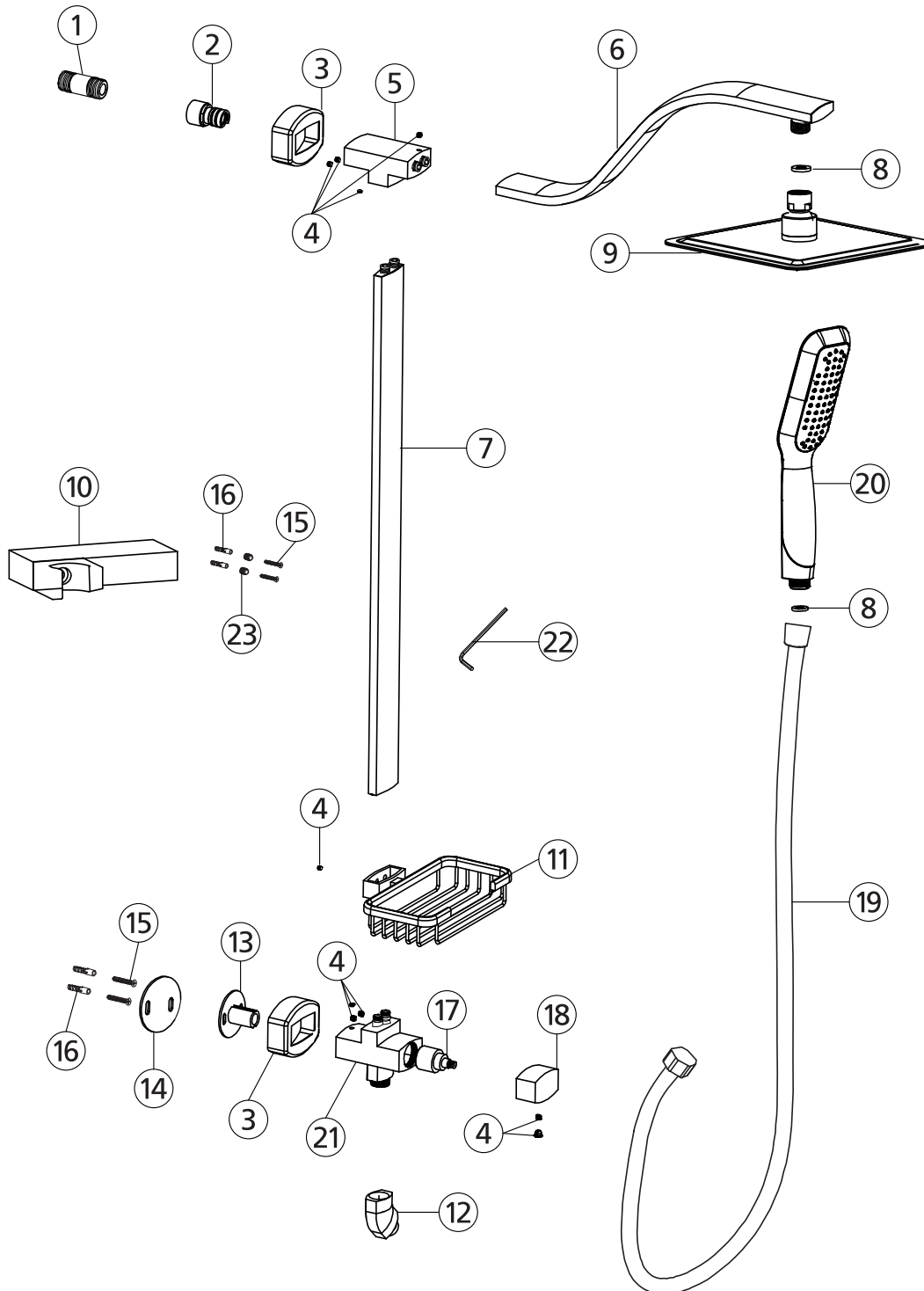
Drill (preferably cordless)

Masonry drill bit



Monaco Shower System Parts Legend

- | | | |
|------------------|----------------------|---------------------------|
| 1. Nipple | 9. Shower Head | 17. Diverter Cartridge |
| 2. Inlet Fitting | 10. Hand Held Holder | 18. Diverter Handle |
| 3. Escutcheon | 11. Soap Dish | 19. Hose |
| 4. Set Screws | 12. Swivel Joint | 20. Hand Shower |
| 5. Top T | 13. Wall Mount | 21. Diverter Body |
| 6. Shower Arm | 14. Adhesive Tape | 22. Allen Wrench |
| 7. Shower Bar | 15. Screws | 23. Handheld Holder Mount |
| 8. Washer | 16. Wall Anchors | |

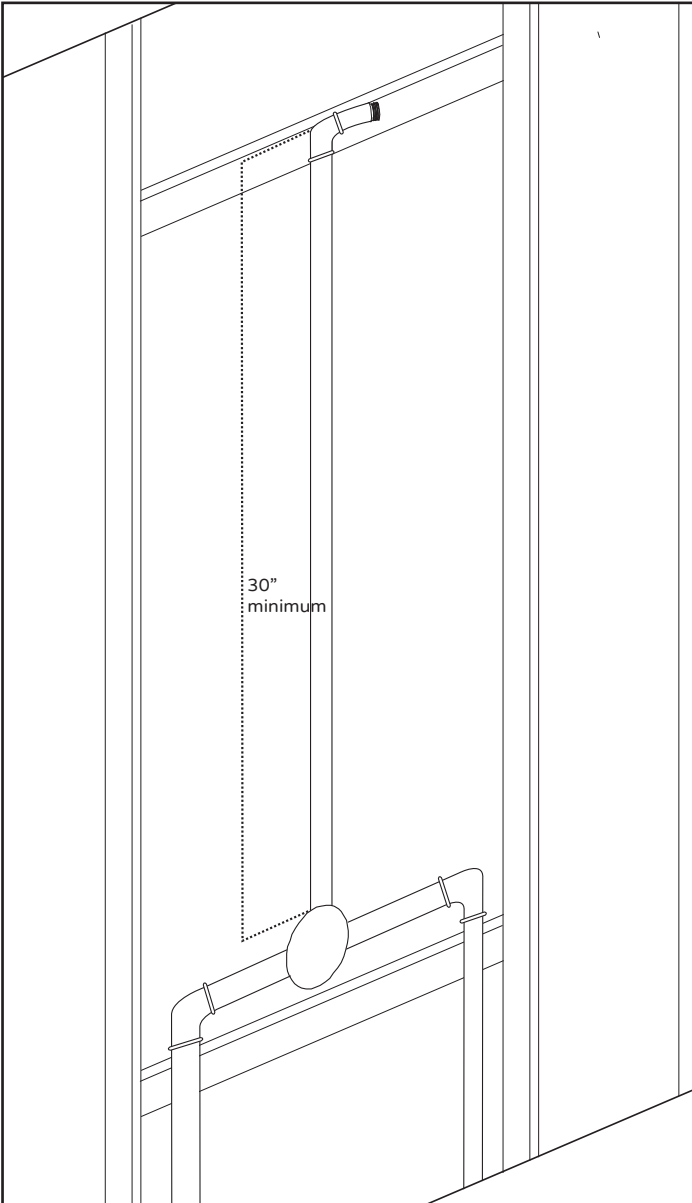


Installation Instructions

BEFORE YOU BEGIN

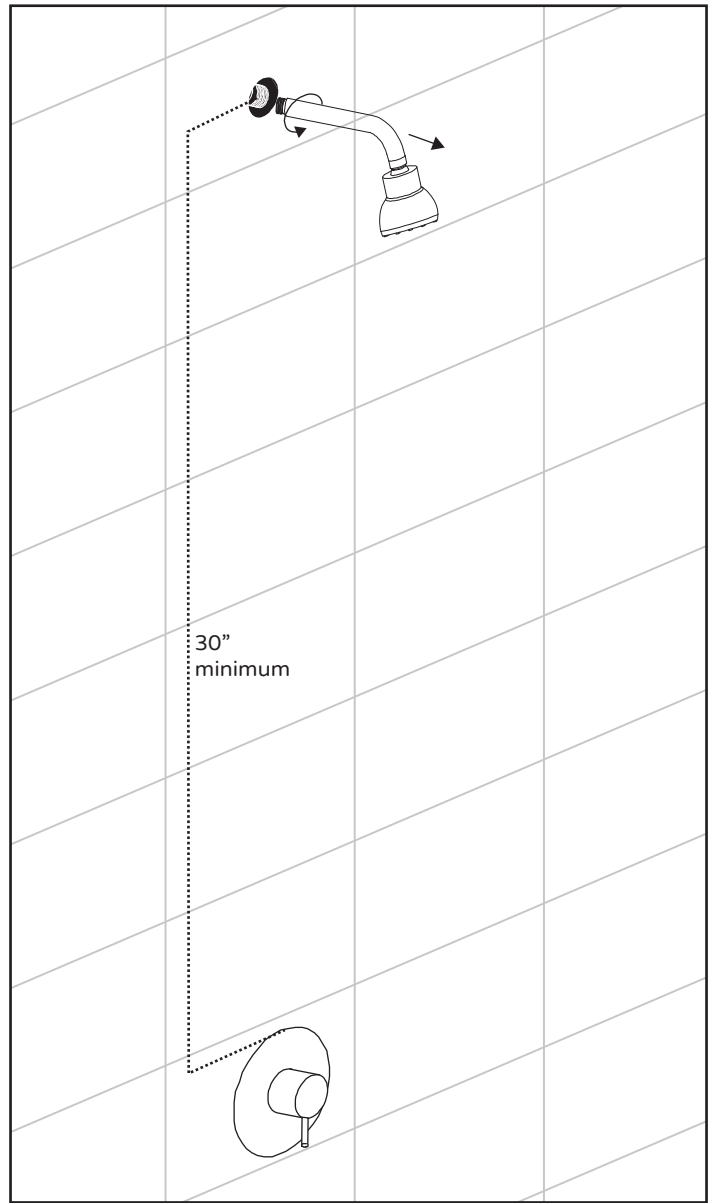
Measure the following to ensure your Monaco Shower System will fit properly.

New Construction



Make sure distance from water outlet and mixing valve trim (NOT INCLUDED) is a minimum 30" or more.

Retrofit

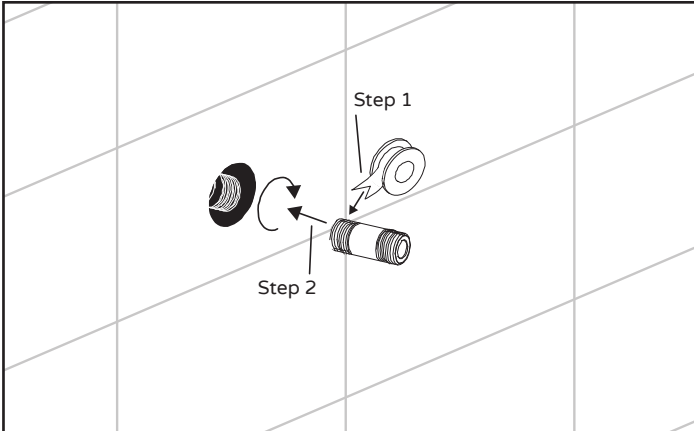


Remove existing shower arm and shower head.

Make sure distance from water outlet and mixing valve trim (NOT INCLUDED) is a minimum 30" or more.

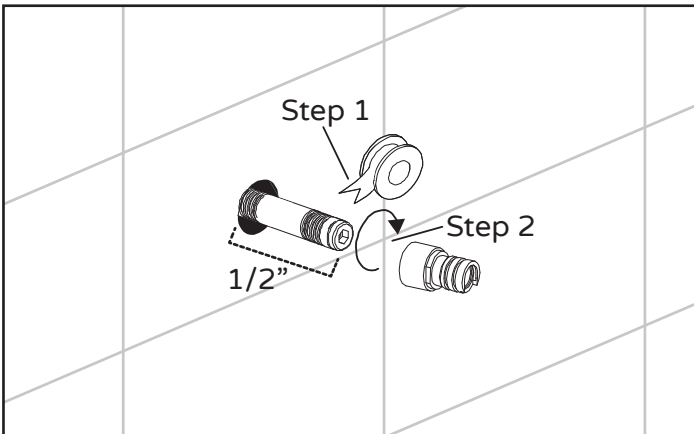
Installation Instructions

1



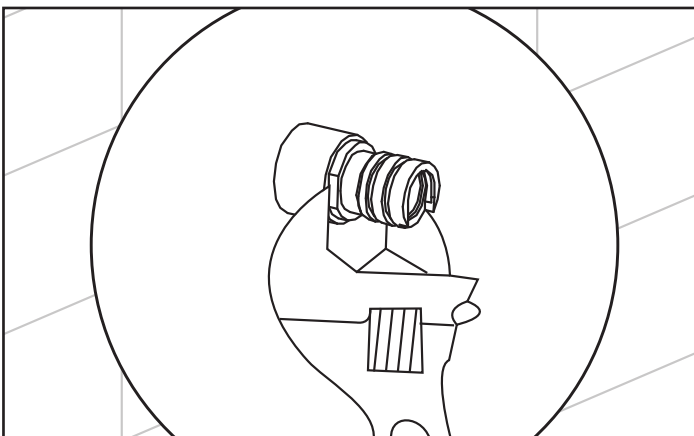
Step 1: Apply plumber's tape to the nipple (1). Step 2: Screw nipple (1) into pipe making sure you have 1/2" extending beyond finished wall surface. NOTE: If supplied 2" nipple (1) is not correct length you must obtain correct size NPT brass nipple (sold separately), available at most hardware stores.

2



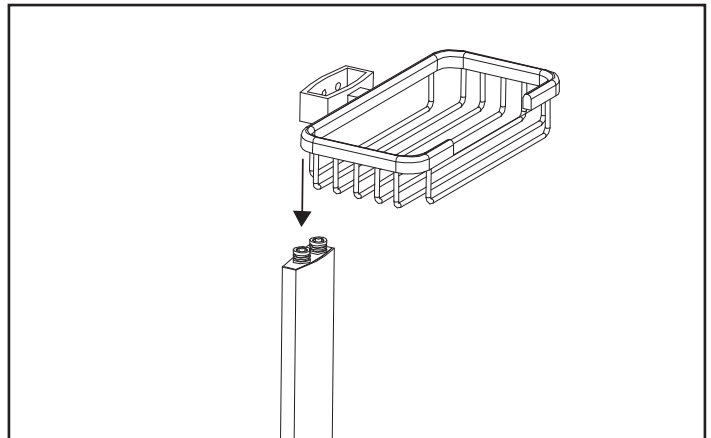
Step 1: Apply plumber's tape to the nipple (1). Step 2: Screw inlet fitting (2) onto nipple (1).

TIP



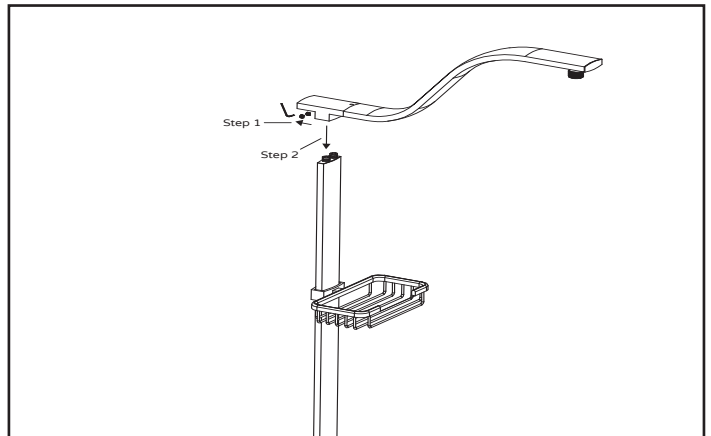
Use flat part of inlet fitting, as shown, to secure inlet onto nipple.

3



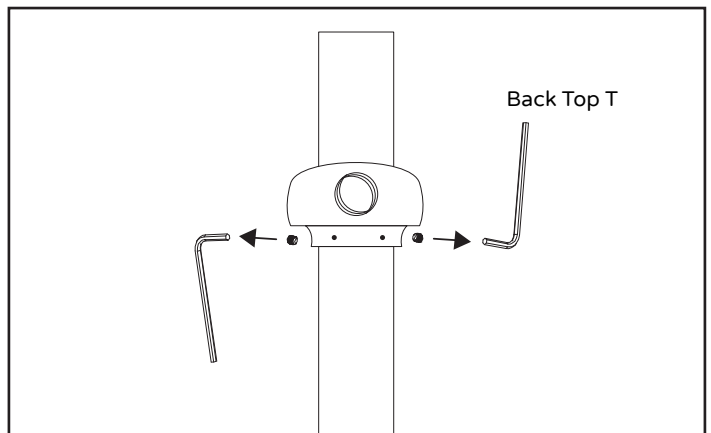
Slide soap dish (11) onto shower bar (7) from top.

4



Step 1: Loosen set screws (4) slightly. Step 2: Connect Top T (5) to shower bar (7) and secure with set screw (4).

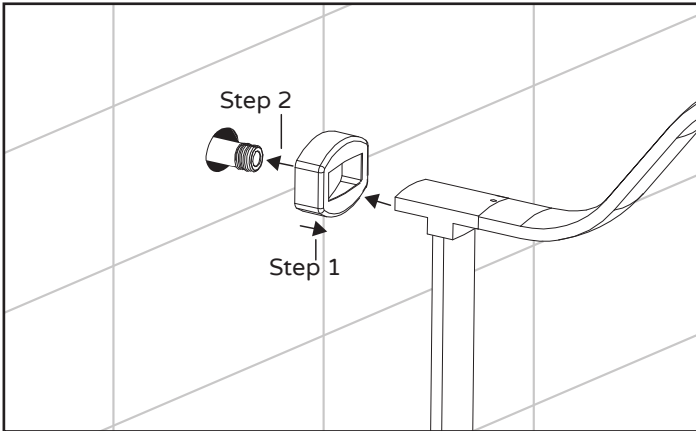
5



Remove set screws (4) from the sides of Top T (5).

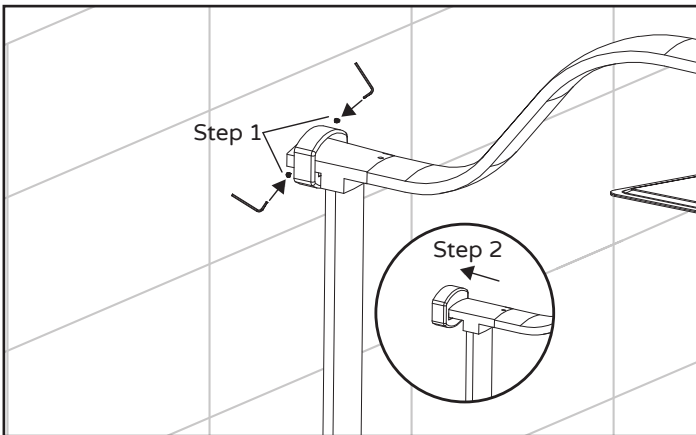
Installation Instructions

6



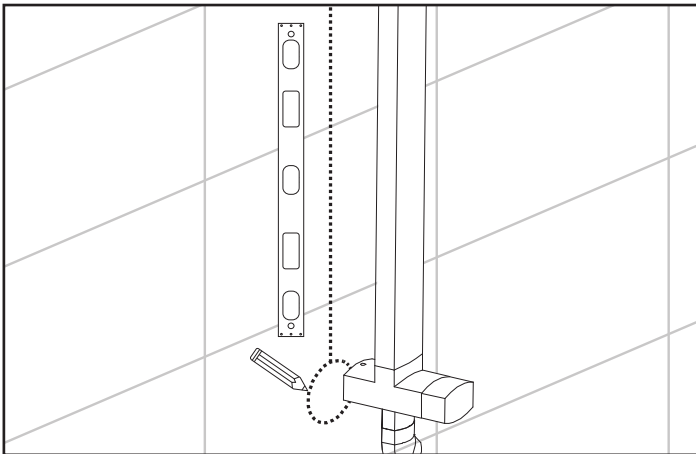
Step 1: Slide escutcheon (3) onto Top T (5).
Step 2: Connect Top T (5) with inlet fitting (2).

7



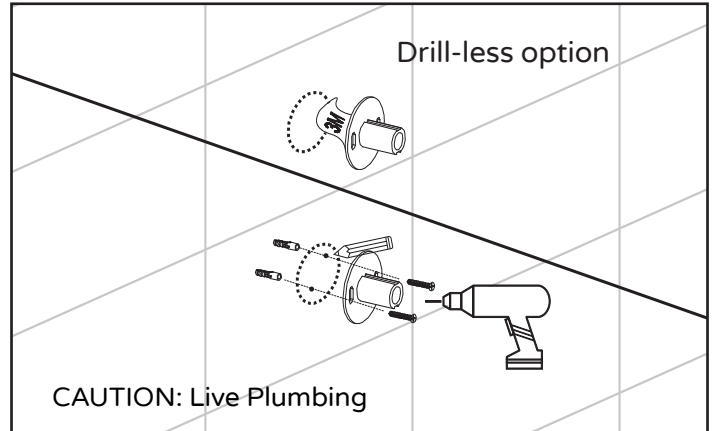
Step 1: Secure set screws (4) to the side of Top T (5).
Step 2: Slide escutcheon (3) back to cover set screws (4).

8



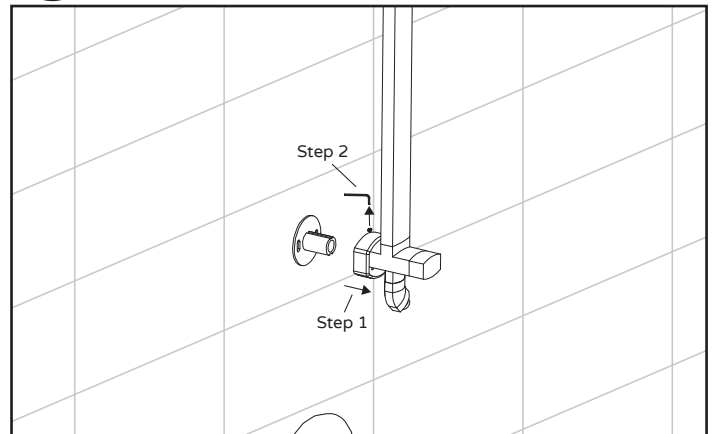
Use level to assure shower pipe is straight. Mark desired location for bottom mount.

9



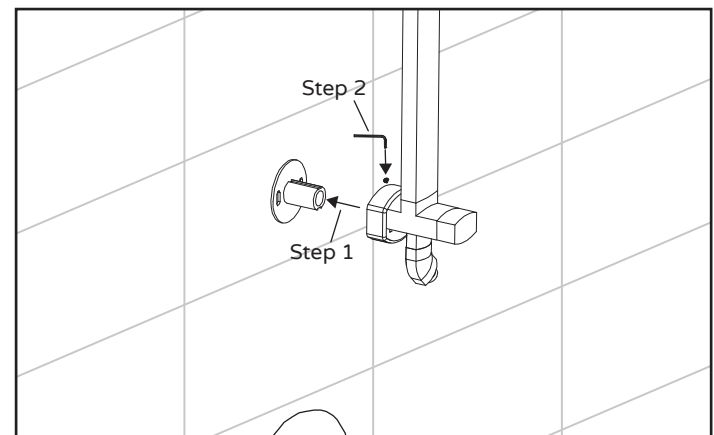
Drill-less option: Remove covering adhesive tape (14) and stick to wall. Hold for 30 seconds and let sit for 24 hours before use, to properly secure. Drill option: Center mount into the outline. Secure wall mount (13) with screws (15).

10



Step 1: Slide escutcheon (3) onto bottom mount.
Step 2: Unscrew set screw (4).

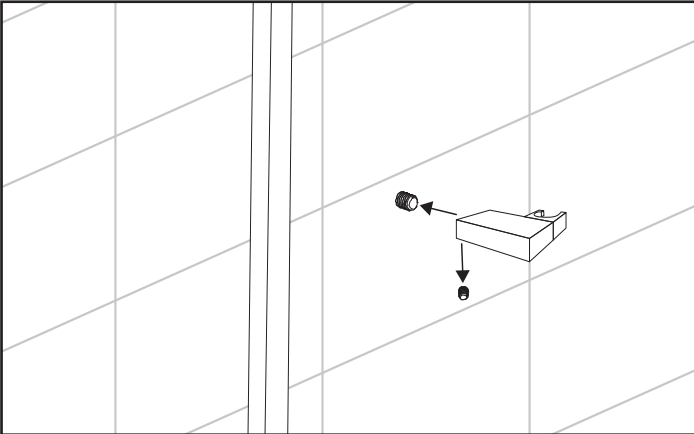
11



Step 1: Slide diverter body (21) onto wall mount (13).
Step 2: Tighten set screw (4). Slide escutcheon(3) back to cover set screw (4).

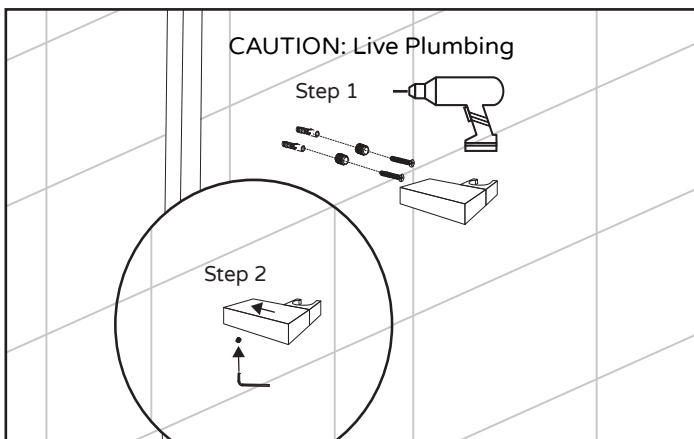
Installation Instructions

12



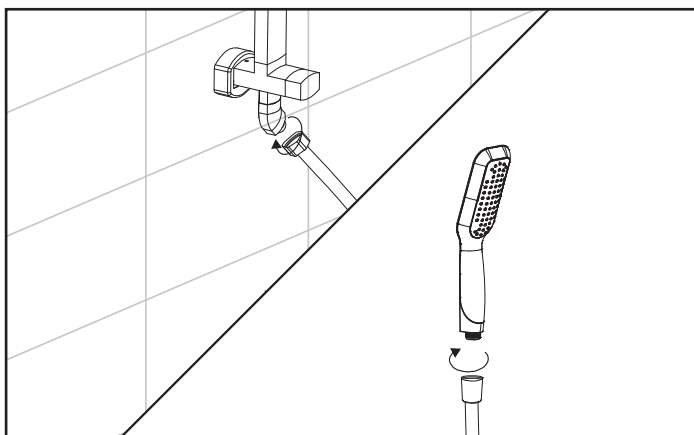
Unscrew set screw (4) and remove handheld holder mount (23).

13



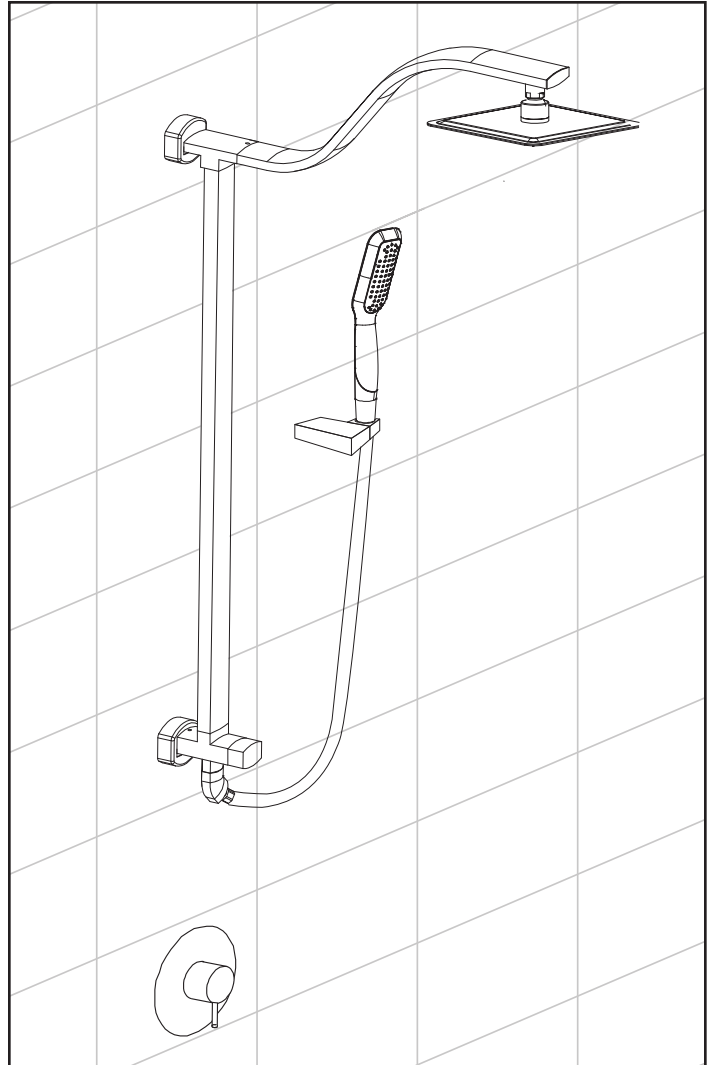
Step 1: Position handheld holder mount (23) on desired location and secure with screw (15). Position the second handheld holder wall mount (23) next to the first one and secure with screw (15). Step 2: Place handheld holder (10) onto mount (23) and secure with set screw (4).

14



Attach hex head end of hose (19) to swivel joint (12) and tapered end to hand shower (20).

15



Product Fully Assembled

MANUFACTURER'S LIFETIME LIMITED WARRANTY

1. Defects Covered; Warranty Period: Pulse Shower Spas, Inc. ("Pulse") warrants to the original consumer purchaser who purchases this shower spa (the "Product") for use in his or her own home, that the Product will be free from defects in material and manufacturing workmanship for as long as the original consumer purchaser owns that same home. For all other purchasers (including, but not limited to purchasers for industrial, commercial and business use), the above warranty will apply for a period of 5 years from the original date of purchase.

2. Remedy: If the Product does not conform to the above warranty, Pulse, at its option, will repair or replace the Product, free of charge, or refund your purchase price. For warranty claims, please visit www.pulseshower spas.com/index.php/warranty. Pulse may require that you return the Product to Pulse, shipping prepaid, in which case Pulse will provide you with a return materials authorization number (RMA). Pulse may also require that you provide evidence of the date you purchased the Product. Pulse will ship a new or repaired Product to you, at the expense of Pulse, or refund your purchase price. Service labor performed by you or others in connection with the removal or replacement of the Product will not be reimbursed by Pulse.

3. Exclusions: Pulse shall not be responsible for failure of the Product, and the above warranties will not apply, if the Product fails as a result of improper installation, improper use, modifications or repairs by anyone other than Pulse, or accident or abuse (including damage during shipment).

4. Warranty on Repairs and Replacements: For consumer purchasers who purchased the Product for home use, repaired or replacement Products will continue to be covered under this warranty for as long as he or she owns that same home. For other purchasers, repaired or replacement Products will be covered for the balance of the original warranty period.

5. No Other Warranties; Limitation of Liability: OTHER THAN THE LIFETIME LIMITED WARRANTY STATED ABOVE, PULSE DISCLAIMS ALL OTHER WARRANTIES, EXPRESS OR IMPLIED, INCLUDING BUT NOT LIMITED TO WARRANTIES OF MERCHANTABILITY AND FITNESS FOR A PARTICULAR PURPOSE, TO THE EXTENT PERMITTED BY APPLICABLE LAW. THE REMEDIES STATED ABOVE ARE YOUR SOLE REMEDIES IN CONNECTION WITH THIS WARRANTY. IN NO EVENT WILL PULSE BE LIABLE TO YOU FOR ANY DAMAGES, WHETHER DIRECT, INDIRECT, INCIDENTAL, SPECIAL OR CONSEQUENTIAL, INCLUDING BUT NOT LIMITED TO LOST PROFITS OR BUSINESS INTERRUPTION, ARISING OUT OF OR RELATING TO THE PRODUCT OR ITS USE, WHETHER UNDER A CONTRACT, WARRANTY, TORT, OR ANY OTHER CAUSE OF ACTION, EVEN IF PULSE HAS BEEN ADVISED OF THE POSSIBILITY OF SUCH DAMAGES. NOTWITHSTANDING THE TERM OF ANY LIMITED OR IMPLIED WARRANTY, OR IN THE EVENT THAT ANY LIMITED WARRANTY FAILS OF ITS ESSENTIAL PURPOSE, IN NO EVENT WILL PULSE'S ENTIRE LIABILITY EXCEED THE PURCHASE PRICE OF THE PRODUCT. SOME STATES AND PROVINCES DO NOT ALLOW THE EXCLUSION OR LIMITATION OF INCIDENTAL OR CONSEQUENTIAL DAMAGES SO THE ABOVE LIMITATIONS OR EXCLUSIONS MAY NOT APPLY TO YOU. THIS LIMITED WARRANTY GIVES YOU SPECIFIC LEGAL RIGHTS, AND YOU MAY ALSO HAVE OTHER RIGHTS WHICH VARY FROM STATE TO STATE AND PROVINCE TO PROVINCE.

