

Slim Elongated SOFTCLOSE® Seat

FEATURES

- Closed front SOFTCLOSE toilet seat and cover with quick-release hinge system for easy cleaning
- Slim design for an ultra-sleek aesthetic
- Mounting hardware included

MODELS

- **SS234**
Slim Elongated SOFTCLOSE Seat

COLOR

- #01 Cotton

PRODUCT SPECIFICATIONS

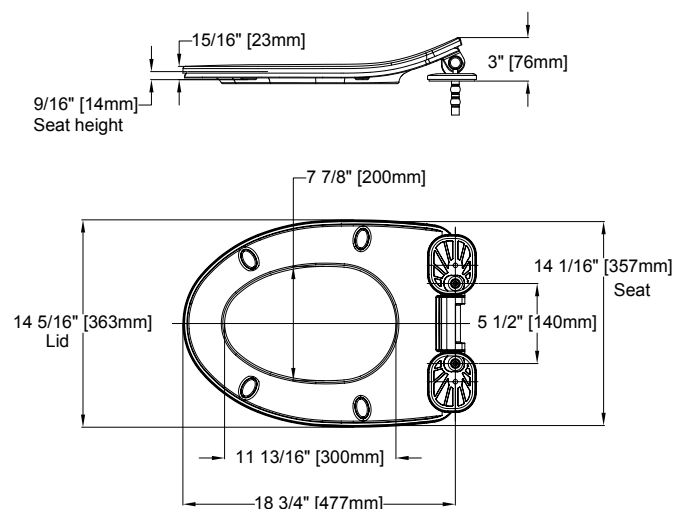
Seat shall be model SS234#01. Seat shall be made from urea resin for both the seat and seat cover. The seat installation is top mount installation with adjustable hinge plates and stainless steel hinge caps.

SPECIFICATIONS

Material	Urea Resin
Warranty	One Year Limited Warranty
Shipping Weight	8.7 lbs
Shipping Dimensions	23-5/8" L x 17-3/16" W x 4-1/16" H



DIMENSIONS



COMPATIBLE TOILETS

- Aimes® One-Piece Toilet
- Aquia® IV One-Piece Toilet
- Aquia IV Two-Piece Toilet
- Legato® One-Piece Toilet
- Connelly® Two-Piece Toilet