

Features

- Cool white LED Light with Dimmable touch control
- Mirrored interior with 3 adjustable glass shelves
- Includes Defogger with push button
- Includes one outlet without USB port
- Includes installation hardware for recess mounting
- Can be recessed or surface mounted
(surface mounting is included)
- Energy efficient LED lighting:
- Integrated LED 3X Magnifying Mirror

Kelvin	6500
CRI	80+
Lumens*†	1620
R9 Value*	50+
Watts (AC)	60
Lumens per Watt	90

Construction

- Grey aluminum body and door frame
- 3 mirror design – rear of cabinet and both sides of door
- Concealed finger pull-door edge
- Two pieces DTC 155° self-closing hinges for each door
- Adjustable shelving at 2-1/3" (60 mm) increments
- Single field wire into electrical shelf - Front access serviceability

Codes/Standards Applicable

Electric Option Models are ETL certified to:

- UL 962
- CSA Standard C22.2 No. 68

Dimensions

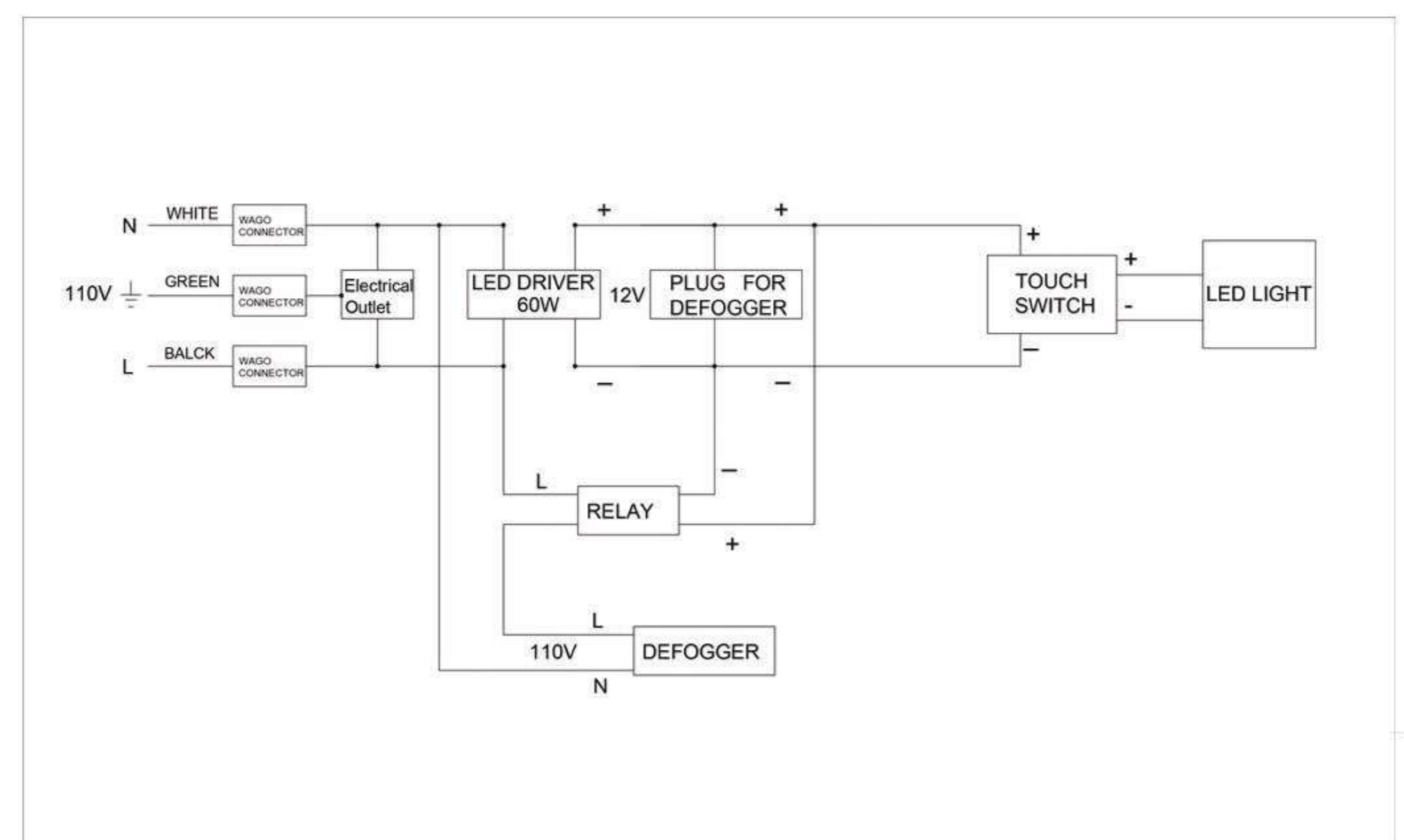
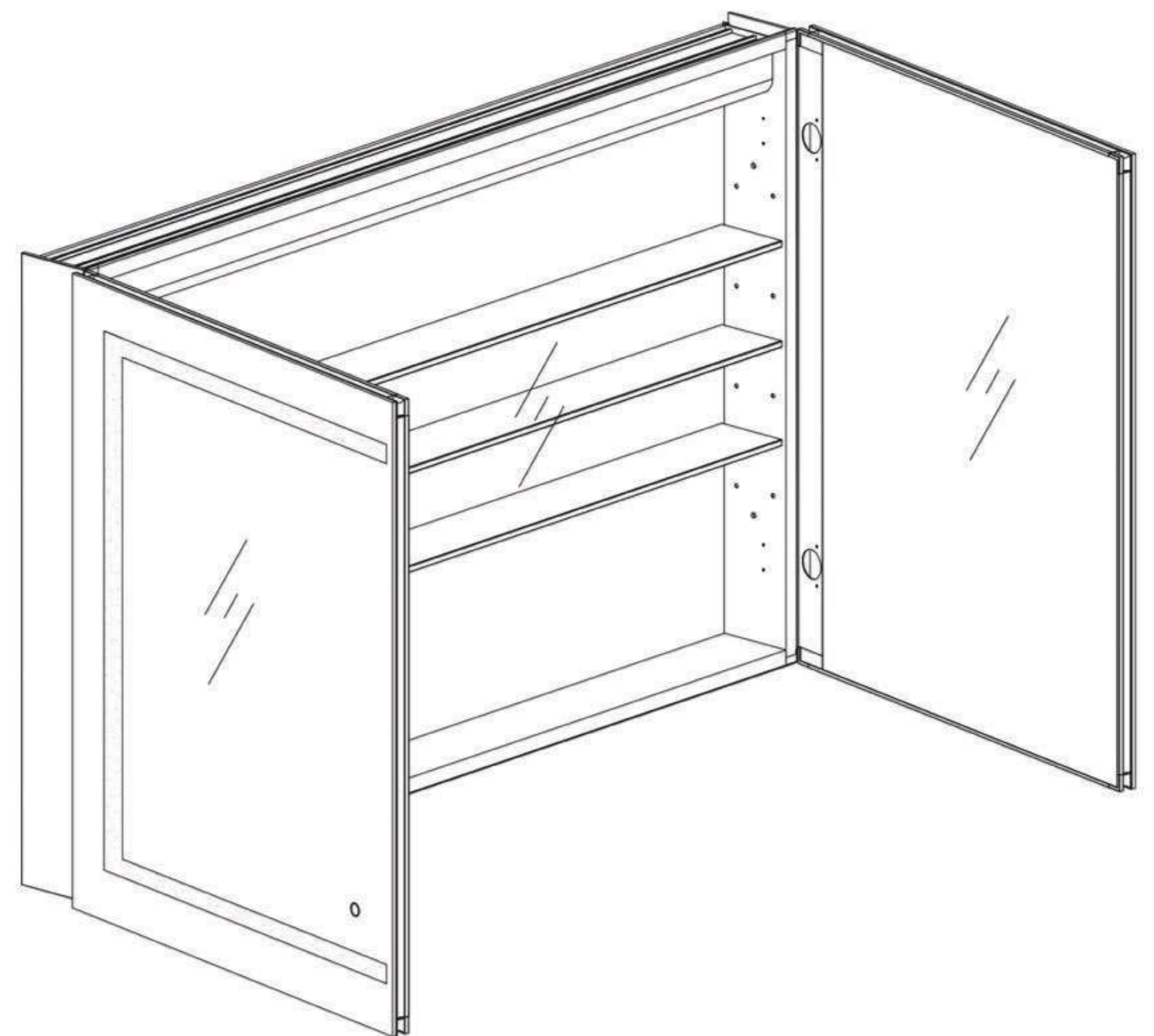
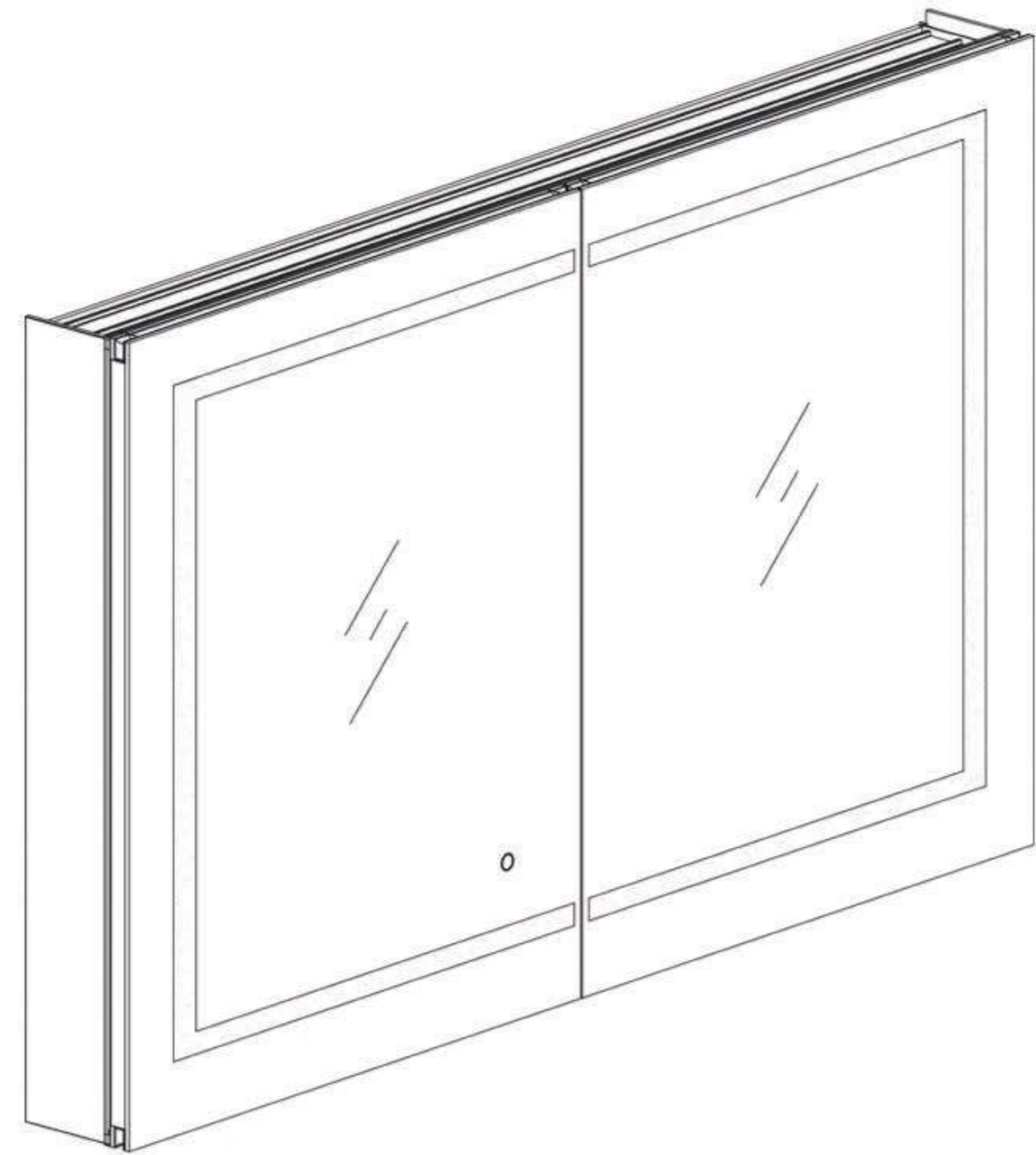
Height: 30" (762 mm)

Width: 48" (1219 mm)

Depth: 7" (178 mm) When surface mounted

1" (25mm) When recessed into a 2 x 6 wall

3" (76mm)) When recessed into a 2 x 4 wall



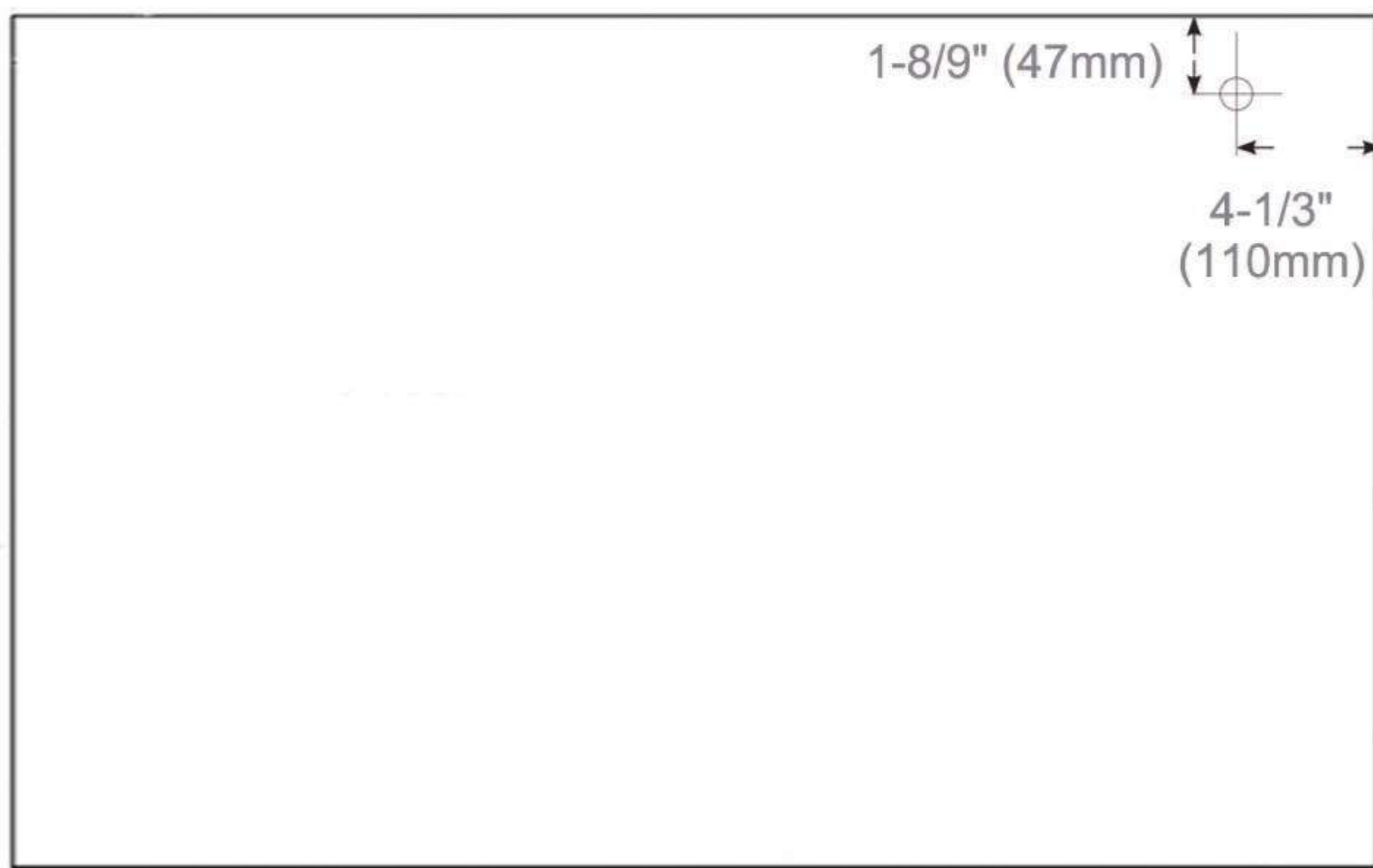
Circuit Diagram

Installation Options

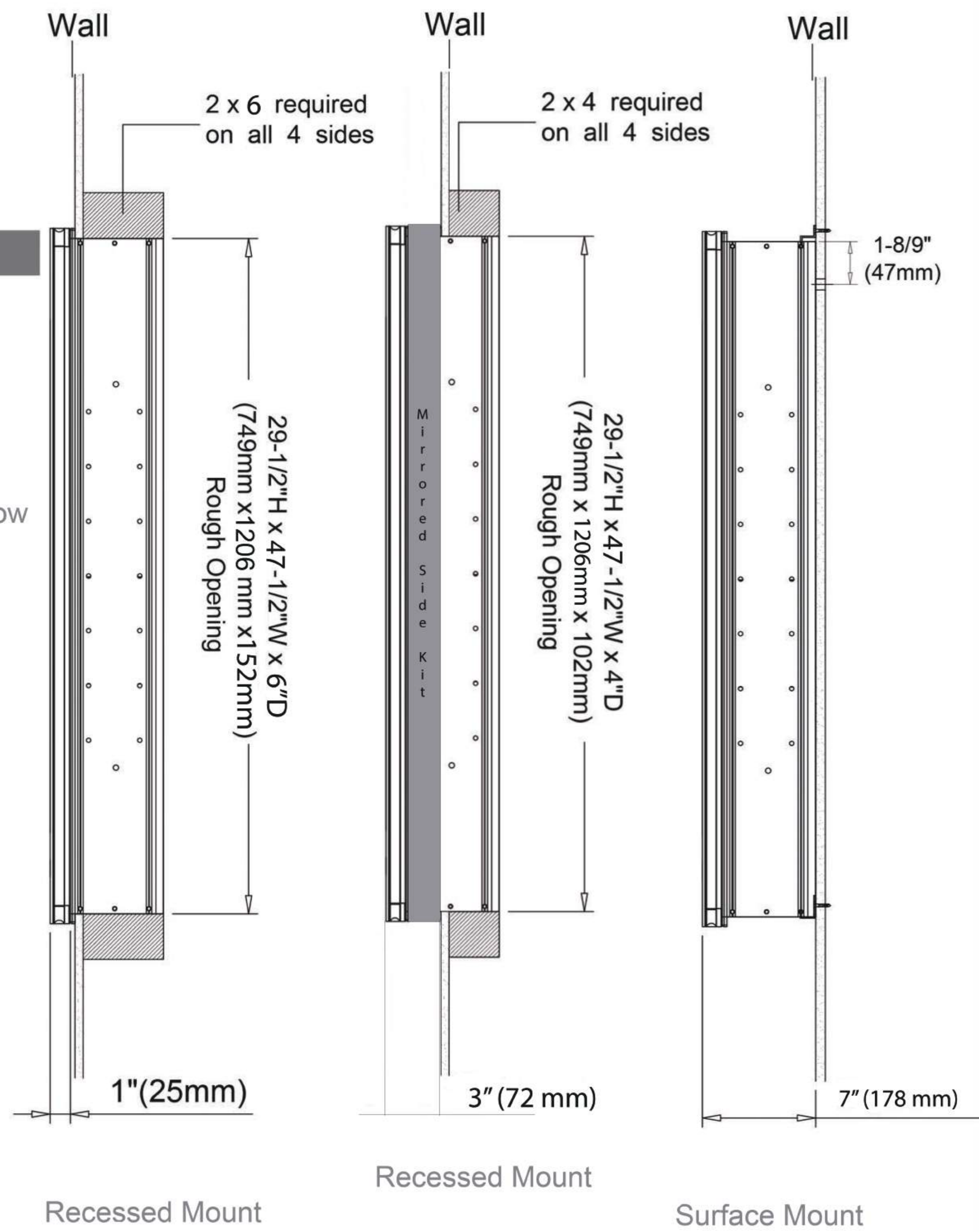
- Recessed Mount - Rough Opening - 29-1/2" H x 47-1/2" W x 4" D (749mm H x 1206mm W x 102mm D)
- Recessed Mount - Rough Opening - 29-1/2" H x 47-1/2" W x 6" D (749mm H x 1206mm W x 152mm D)
- Surface Mount - Surface Mount Kit is included

Electrical System

- 60Watts LED Driver
- INPUT : 120 VAC 60HZ 1.2A
- OUTPUT : 12 VAC 5.0A
- Field wire location as shown in drawing
- 1/2" conduit (Ø 7/8" actual) electrical knockout location shown below
- Included field wire cable clamp
- Circuit Diagram (On page 1)



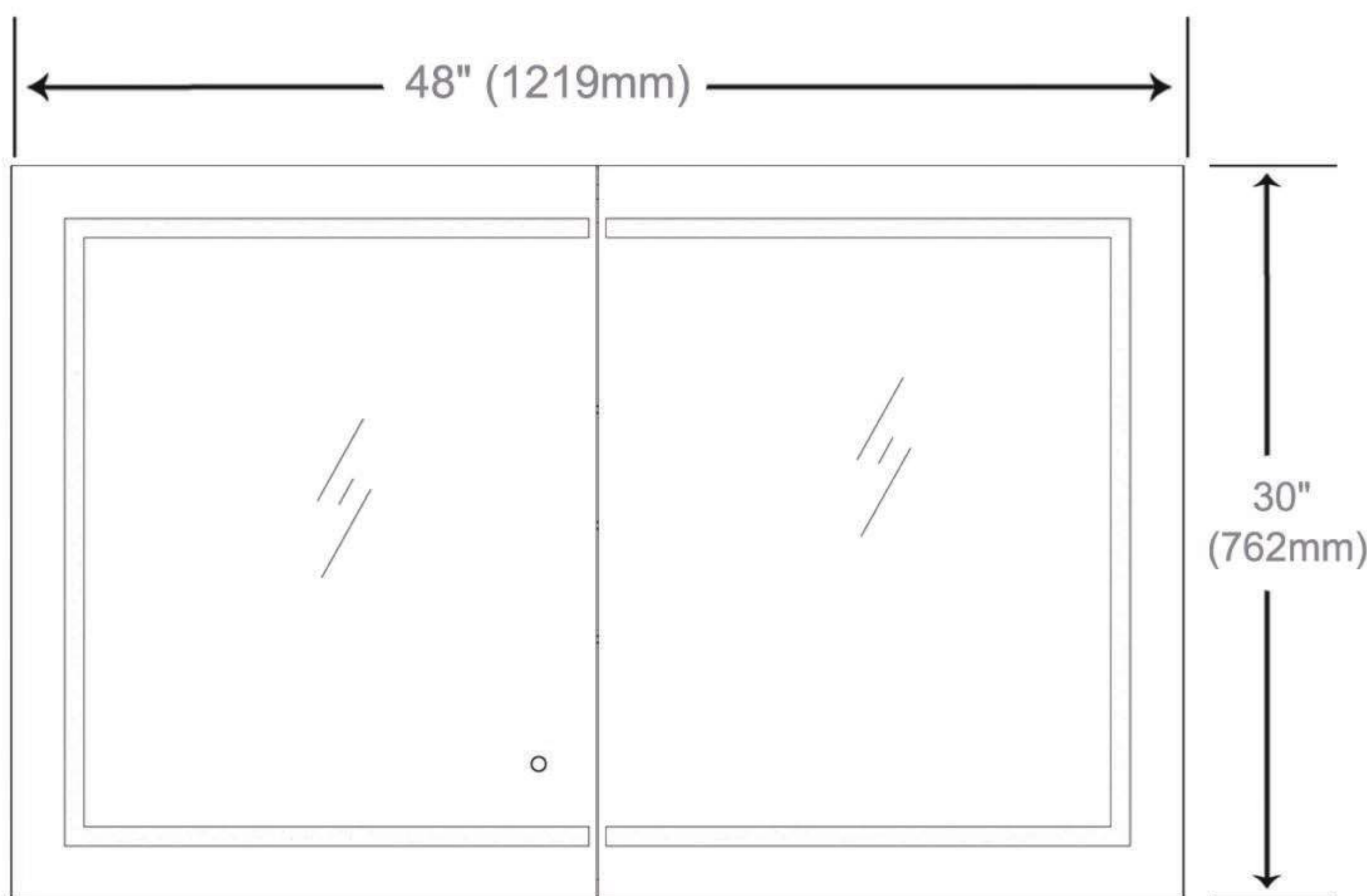
Back of Cabinet - Wire Access Location



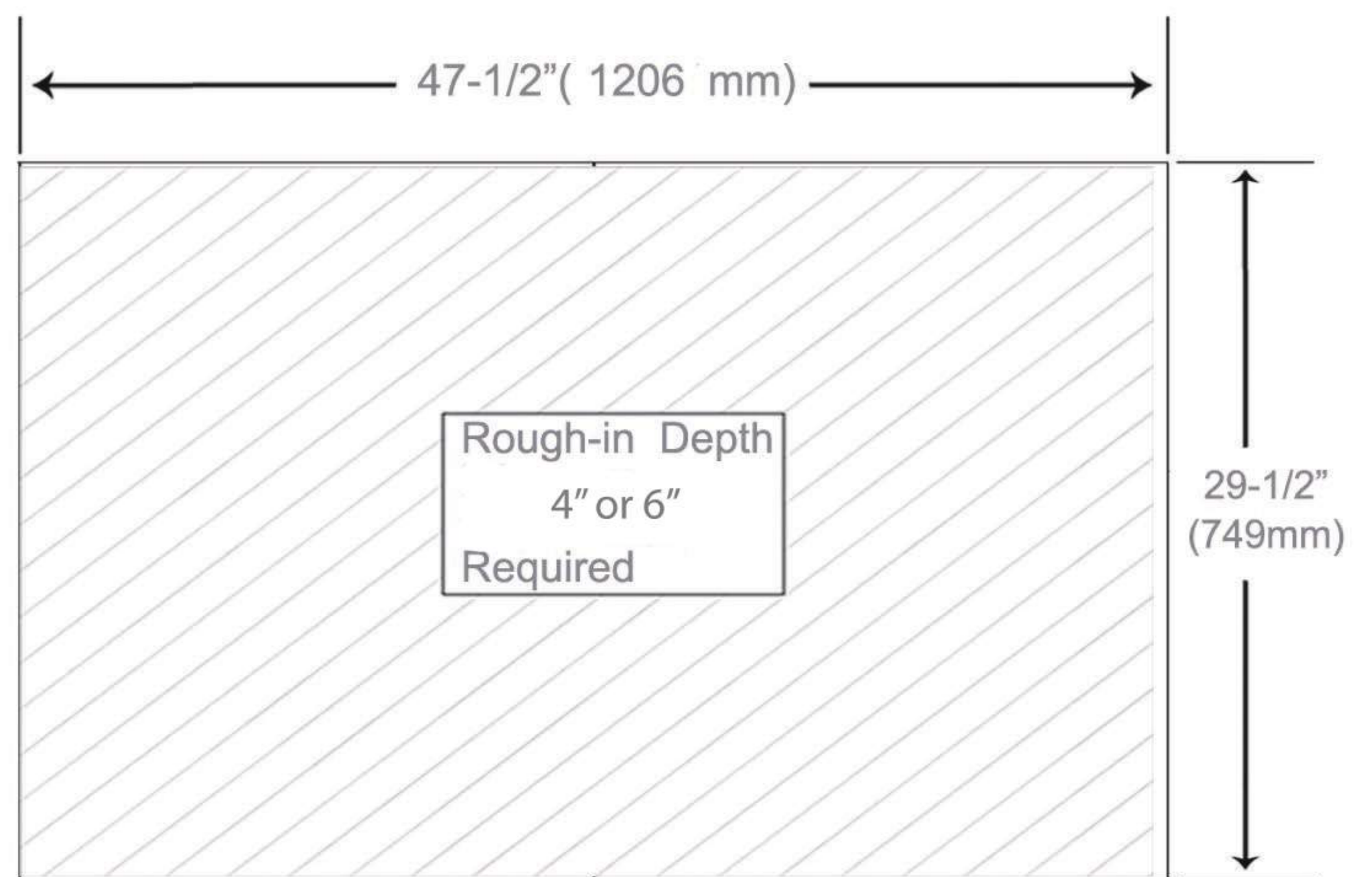
Recessed Mount

Recessed Mount

Surface Mount



Cabinet Dimensions



Rough-in Dimensions