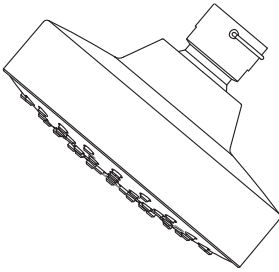
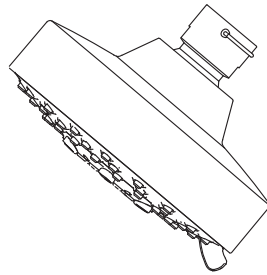


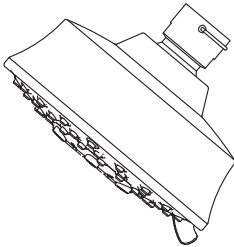
Showerhead and Arm



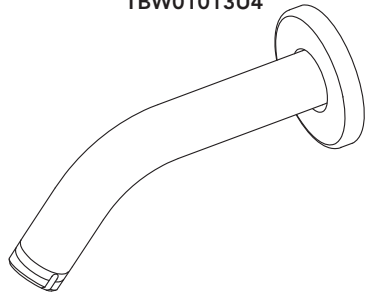
**MODERN
COLLECTION
TBW01012U4**



**MODERN
COLLECTION
TBW01013U4**



**CLASSIC
COLLECTION
TBW03001U4**



TBW01012UV1

TABLE OF CONTENTS

Thanks for Choosing TOTO!	2
Care & Cleaning.....	2
Warnings.....	2
Common Tools Needed.....	2
Before Installation.....	3
Installation Procedure.....	3
Warranty.....	4
Rough-In Dimensions	14
Memo.....	15

THANKS FOR CHOOSING TOTO!

The mission of TOTO is to provide the world with healthy, hygienic and more comfortable lifestyles. We design every product with the balance of form and function as a guiding principle. Congratulations on your choice.

CARE & CLEANING

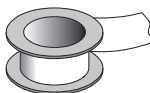
Your new showerhead is designed for years of trouble-free performance. Keep it looking new by cleaning it periodically with mild soap, rinsing thoroughly with warm water and drying with a clean, soft cloth. Do not use abrasive cleaners, steel wool or harsh chemicals, as these will dull the finish. Failure to follow these instructions may void your warranty. If any nozzles become clogged with mineral build up, rub gently with finger tips to clean.

WARNINGS

For safe operation, please observe the following:

- Recommended operating pressure:
 - Minimum pressure.....20 psi (138 kPa), dynamic
 - Maximum pressure.....80 psi (551 kPa), static
- Hot water supply temperature must not exceed 158°F (70°C).
- Do not use steam for hot water supply.
- Do not use the product at an ambient temperature below 32°F (0°C).
- If the showerhead is not installed with the shower arm TBW01012UV1 and secured with cramp ring, there is a risk that showerhead will fall.

COMMON TOOLS NEEDED



Sealing Tape

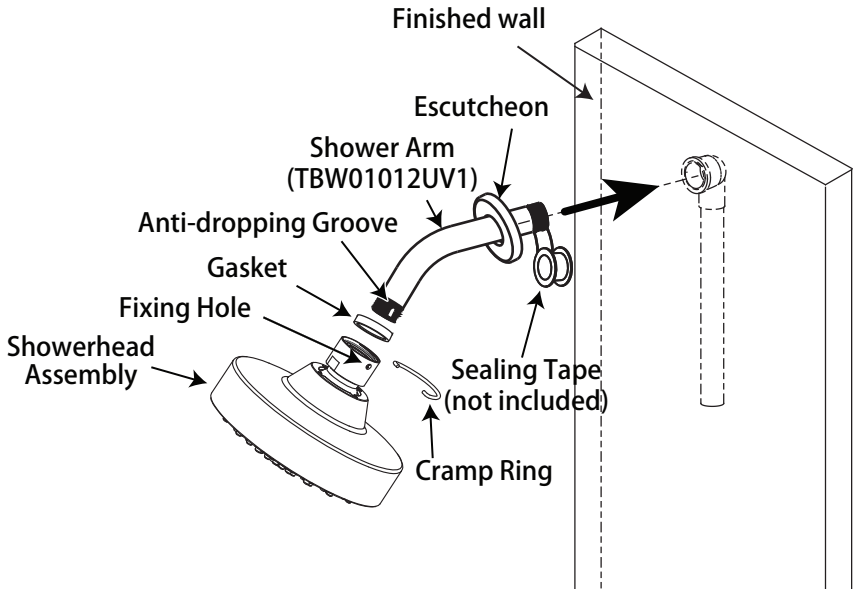


Adjustable Wrench

BEFORE INSTALLATION

- Observe all local plumbing codes.
- Make sure the water supply is shut off.
- Read these instructions carefully to ensure proper installation.
- TOTO reserves the right to update the product design without prior notice.

INSTALLATION PROCEDURE



NOTE: Thoroughly clean and remove debris from the water supply pipe before installation to prevent clogging the spray outlet.

NOTE: Do NOT twist showerhead to install shower arm.

Please use shower arm TBW01012UV1

- Slide escutcheon onto the shower arm.
- Wrap the shower arm threads with pipe tape. Screw the shower arm into the supply elbow.
- Ensure the gasket is in the pivot ball before installation.
- Thread the showerhead onto the shower arm by hand.
- Use an adjustable wrench to tighten the showerhead to the shower arm firmly enough to seat the gasket and prevent leaking.
- Install cramp ring into the fixing hole of the shower head.