

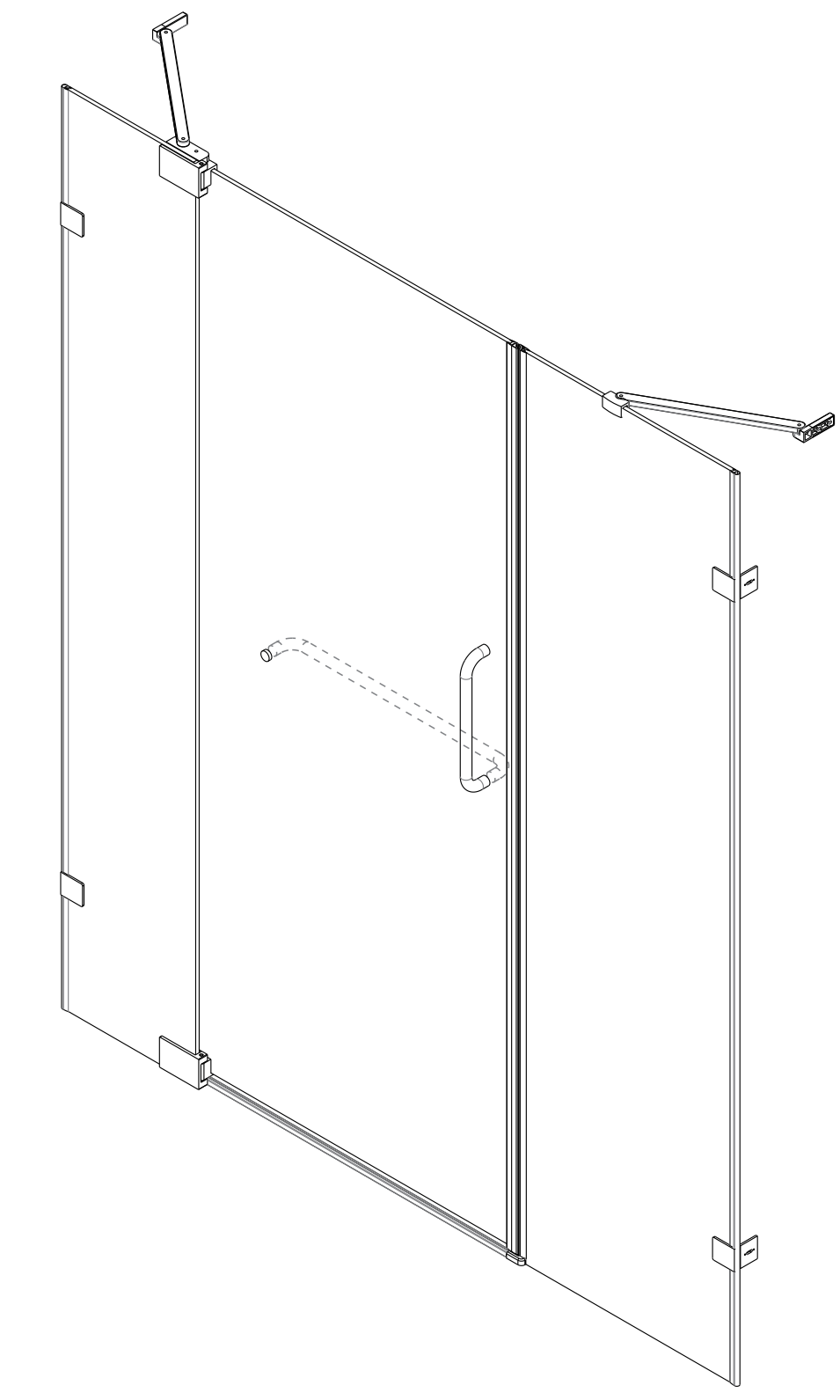


Vinnova Inc.

## INSTALLATION SPECIFICATION

Item No.	308066-HD-PC
Description	In-line hinged door
Overall Dimensions	66"x72"
Installation Size Range	60"-66"
Profile Color	Polished Chrome
Glass Thickness	8/25"
Glass Color	Transparent&Easy clean
Gross Weight	151 LBS
Certifications	ANSI Z97.1-2015

*All measurements are approximate. Measurements may vary +/- 1/25".*



**Milano**  
In-line hinged door

