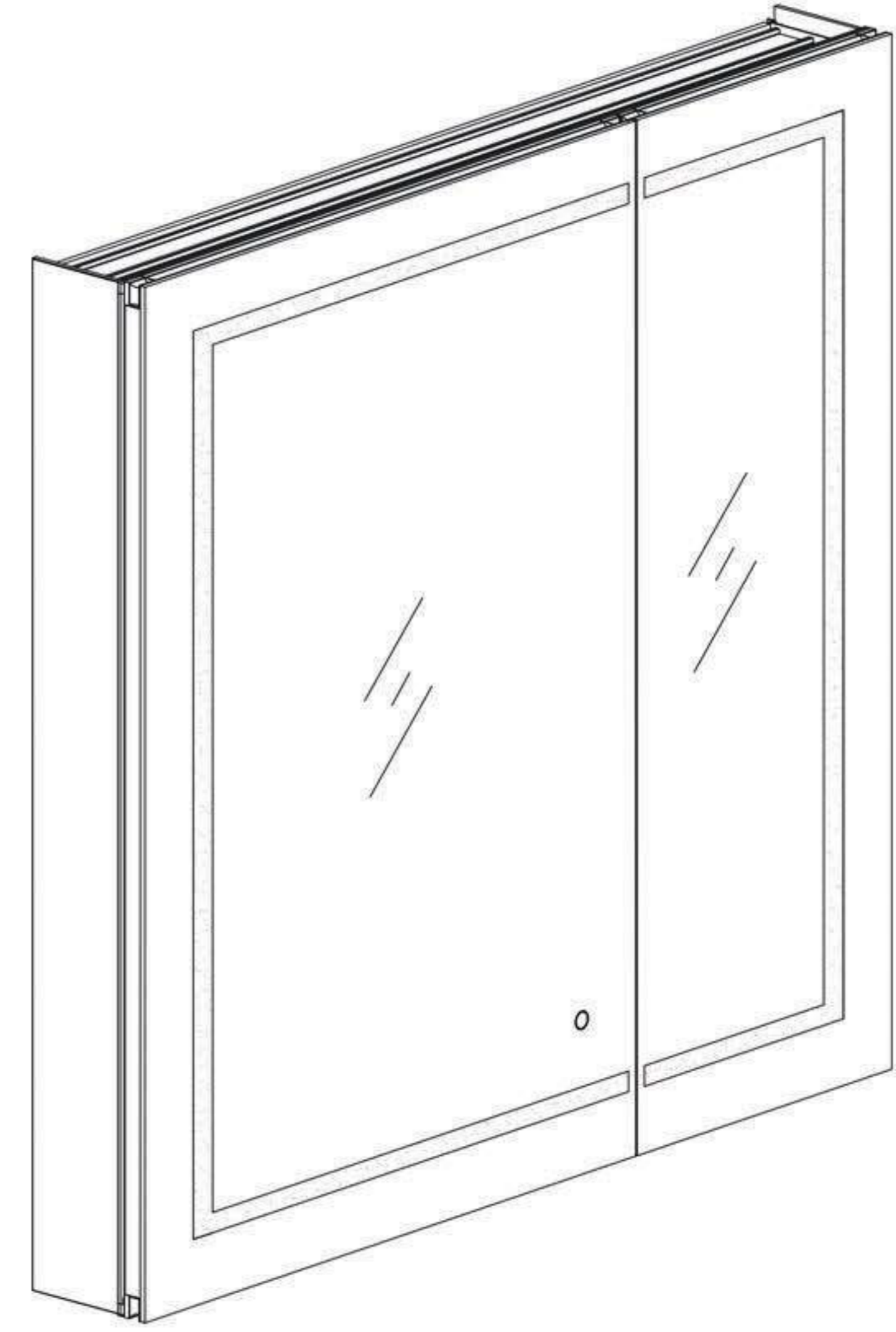


## Features

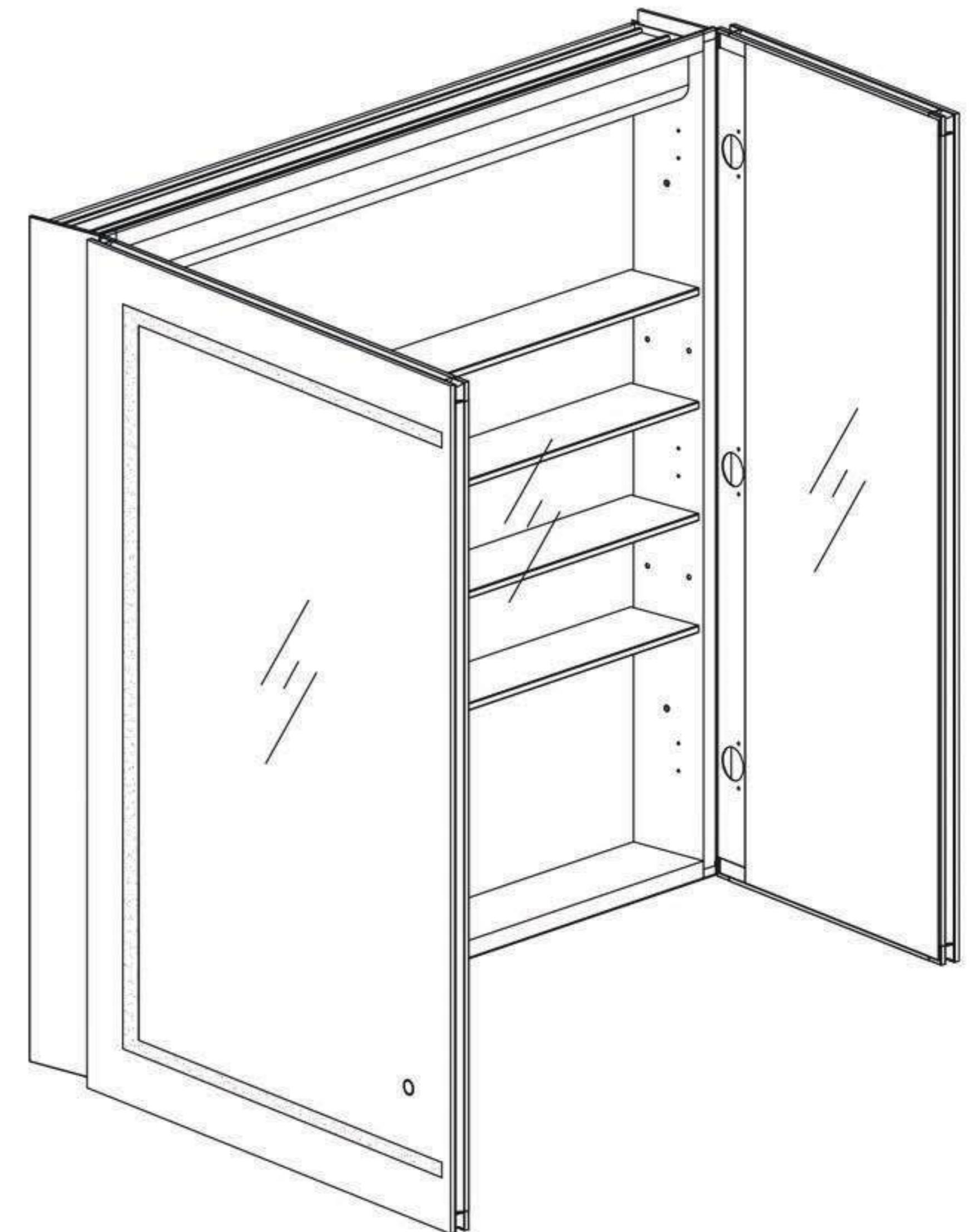
- Cool white LED Light with Dimmable touch control
- Mirrored interior with 4 adjustable glass shelves
- Includes Defogger with push button
- Includes one outlet without USB port
- Includes installation hardware for recess mounting
- Can be recessed or surface mounted  
(surface mounting is included )
- Energy efficient LED lighting:

Kelvin	6500
CRI	80+
Lumens*†	1620
R9 Value*	50+
Watts (AC)	60
Lumens per Watt	90



## Construction

- Grey aluminum body and door frame
- 3 mirror design – rear of cabinet and both sides of door
- Concealed finger pull-door edge
- Three pieces DTC 155° self-closing hinges for each door
- Adjustable shelving at 3-1/7" (80 mm) increments
- Single field wire into electrical shelf - Front access serviceability



## Codes/Standards Applicable

Electric Option Models are ETL certified to:

- UL 962
- CSA Standard C22.2 No. 68

## Dimensions

Height: 36" ( 913 mm)

Width: 30" ( 762 mm)

Depth: 5" (127 mm) When surface mounted

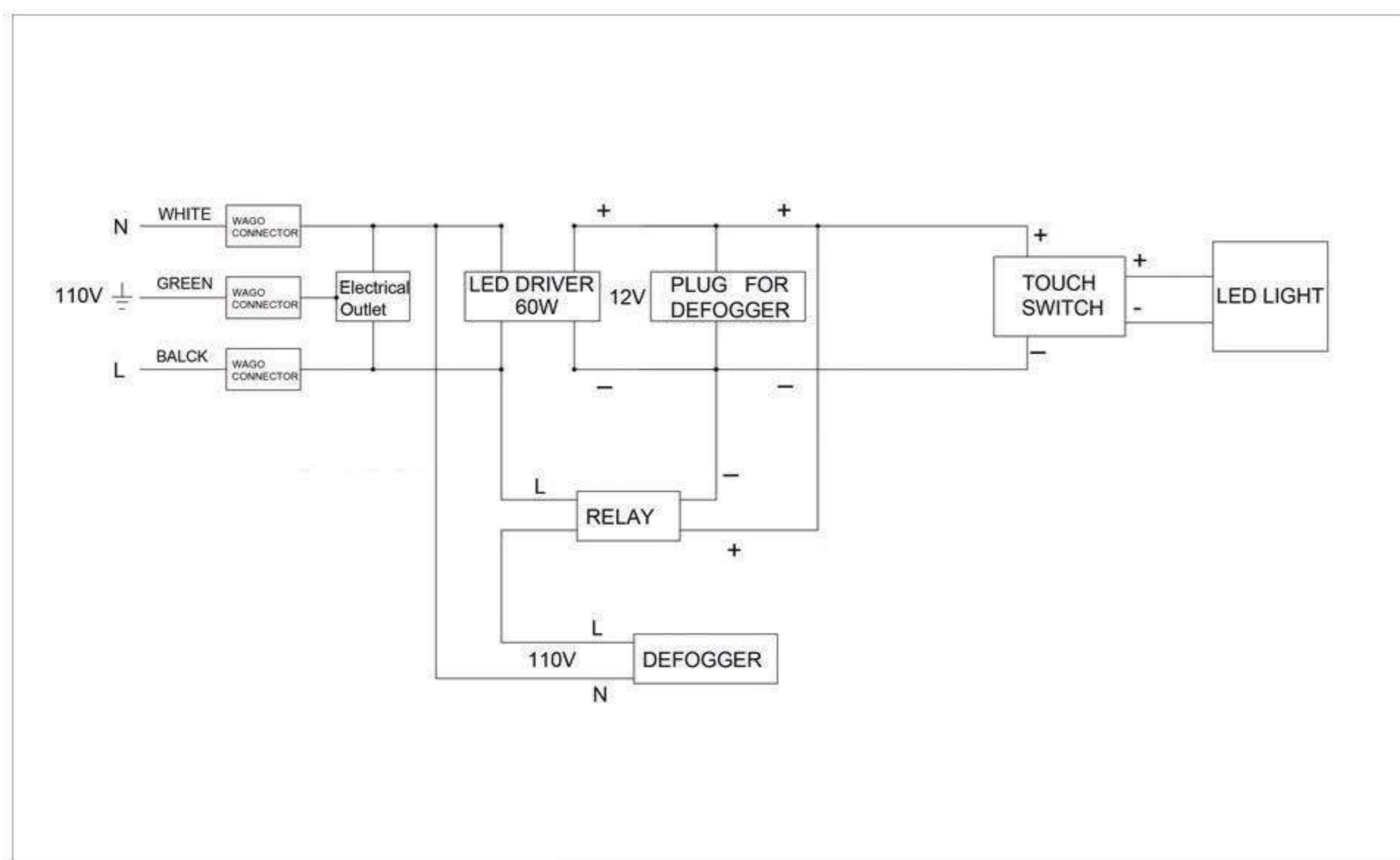
1" (25 mm) When recessed

## Installation Options

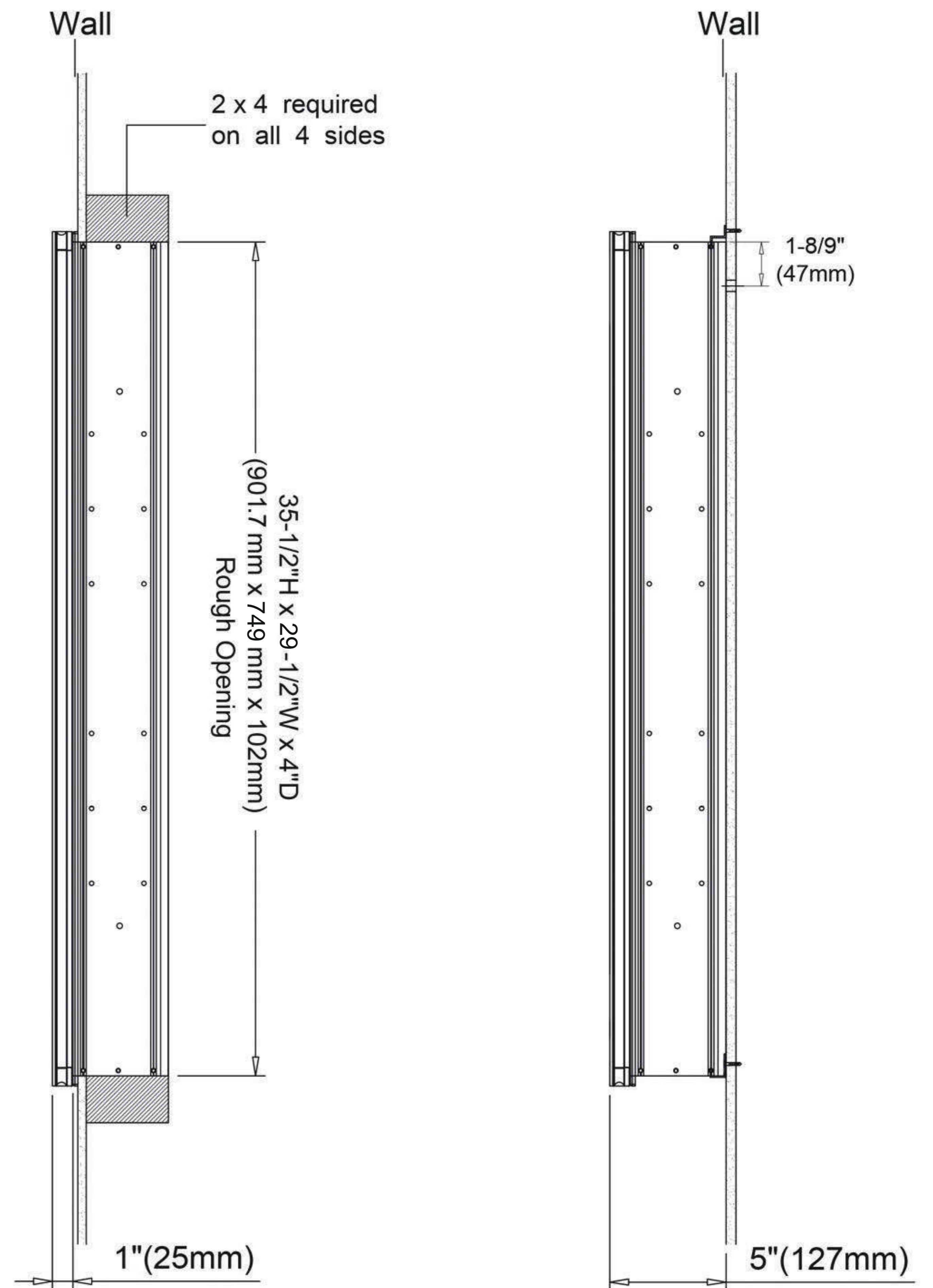
- Recessed Mount - Rough Opening - 35-1/2" H x 29-1/2" W x 4" D (901.7mm H x 749mm W x 102mm D)
- Surface Mount - Surface Mount Kit is included

## Electrical System

- 60 Watts LED Driver
- INPUT : 120VAC 60HZ 1.2A
- OUTPUT : 12VAC 5.0A
- Field wire location as shown in drawing
- 1/2" conduit (Ø 7/8" actual) electrical knockout location shown below
- Included field wire cable clamp
- Circuit Diagram

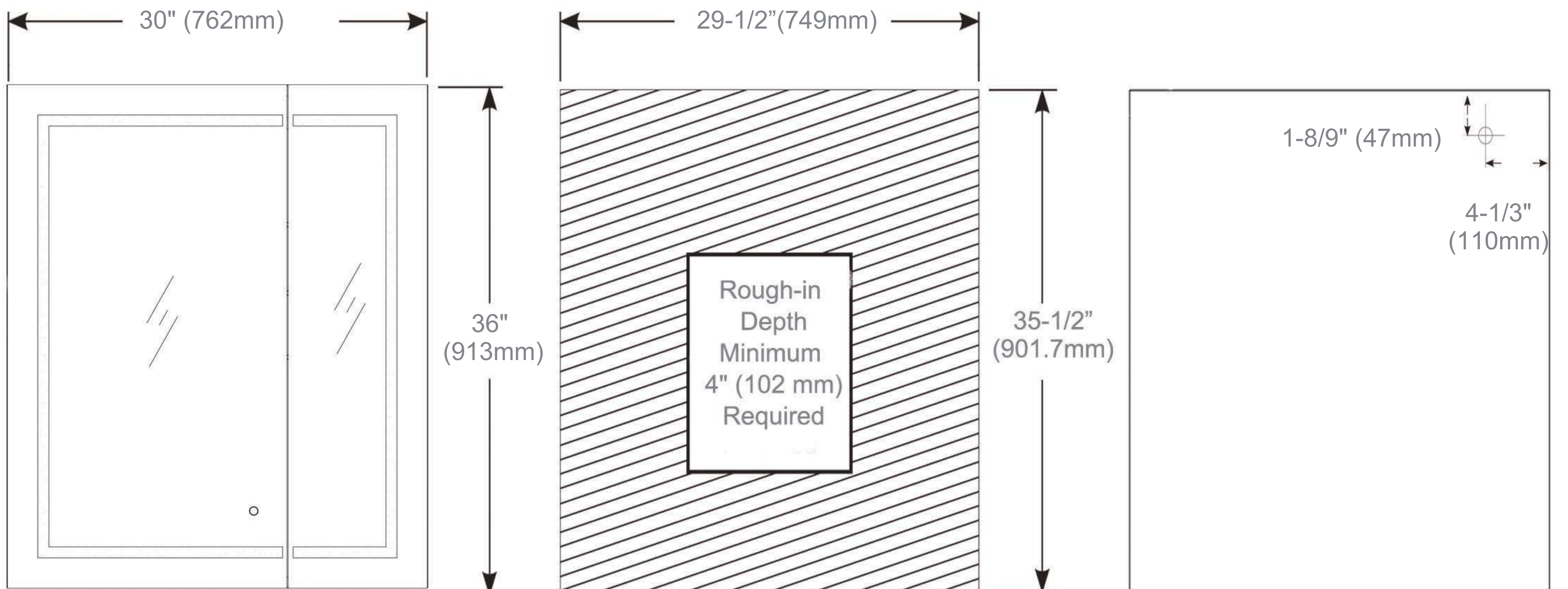


Circuit Diagram



Recessed Mount

Surface Mount



Cabinet Dimensions

Rough-in Dimensions

Back of Cabinet - Wire Access Location