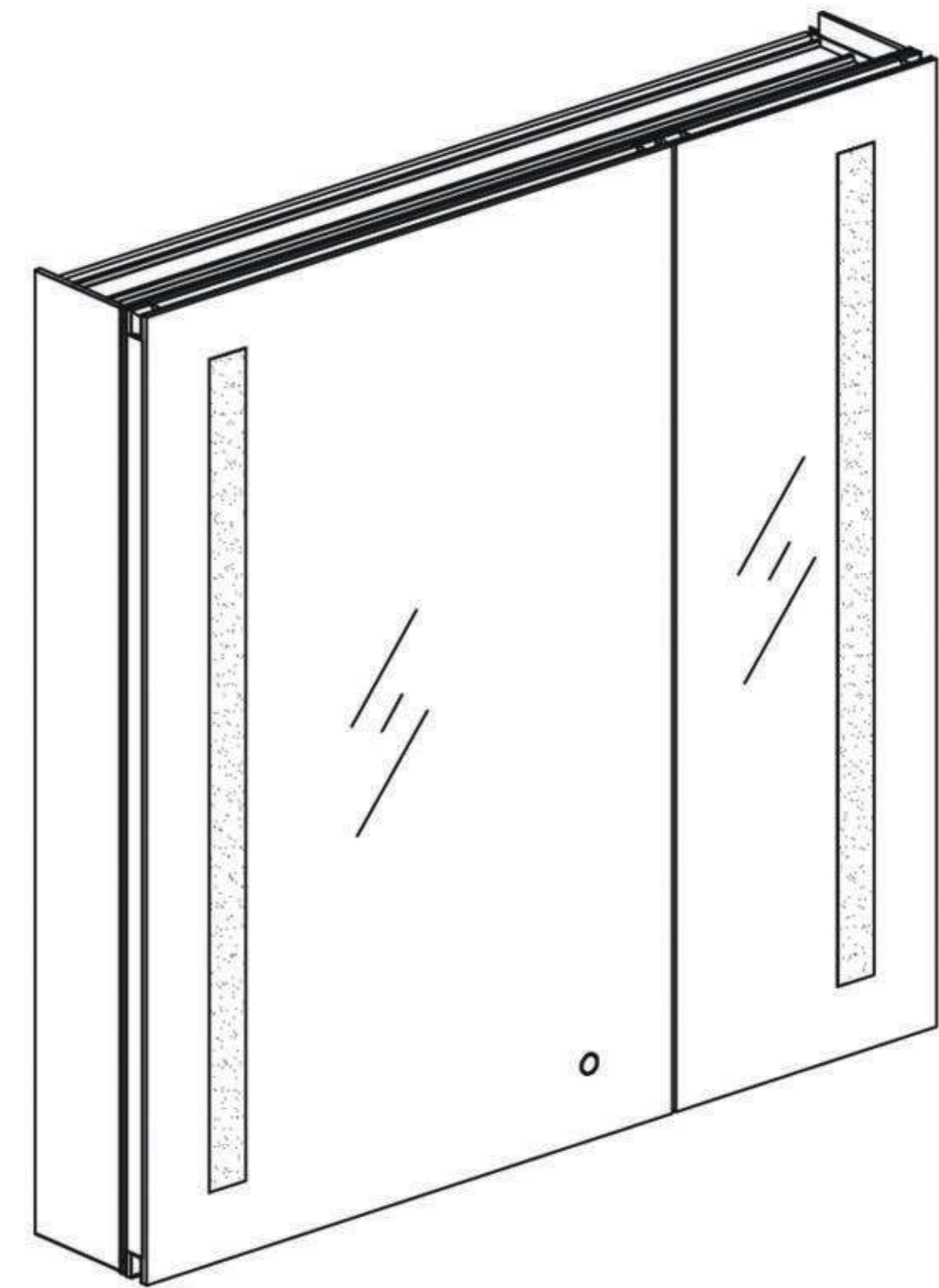


## Features

- Cool white LED Light
- Touch button with dimmer function
- Mirrored interior with 3 adjustable glass shelves
- Includes installation hardware for recess mounting
- Can be recessed or surface mounted  
(surface mounting is included )
- Energy efficient LED lighting:

Kelvin	6500
CRI	80+
Lumens*†	810
R9 Value*	50+
Watts (AC)	35
Lumens per Watt	90



## Construction

- Grey aluminum body and door frame
- 3 mirror design – rear of cabinet and both sides of door
- Concealed finger pull-door edge
- Two pieces DTC 90° self-closing hinges for each door
- Adjustable shelving at 2 1/3" (60 mm) increments
- Single field wire into electrical shelf - Front access serviceability

## Codes/Standards Applicable

Electric Option Models are ETL certified to:

- UL 962
- CSA Standard C22.2 No. 68

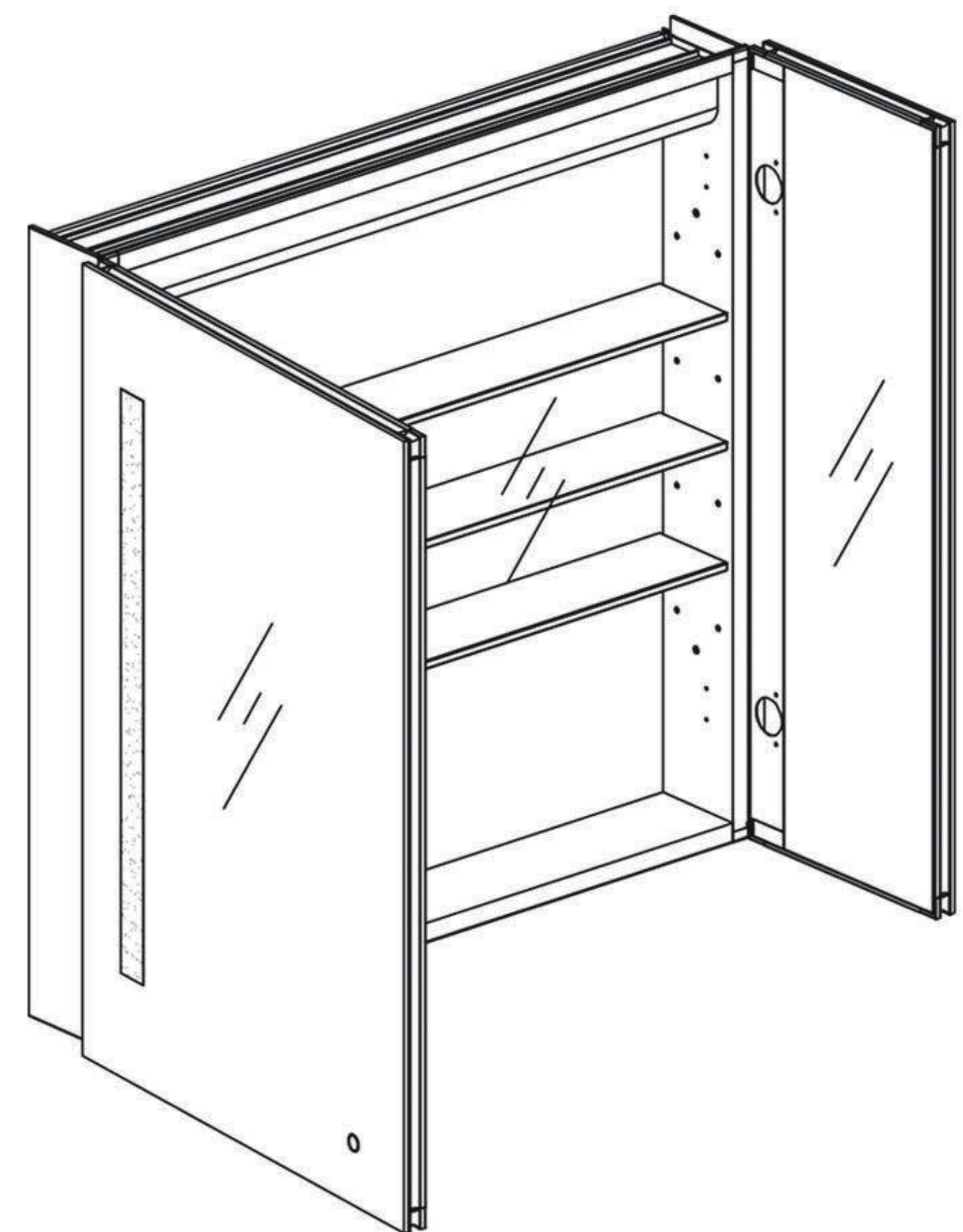
## Dimensions

Height: 30" ( 762 mm )

Width: 30" ( 762mm )

Depth: 5" (127 mm) When surface mounted

1" (25 mm) When recessed



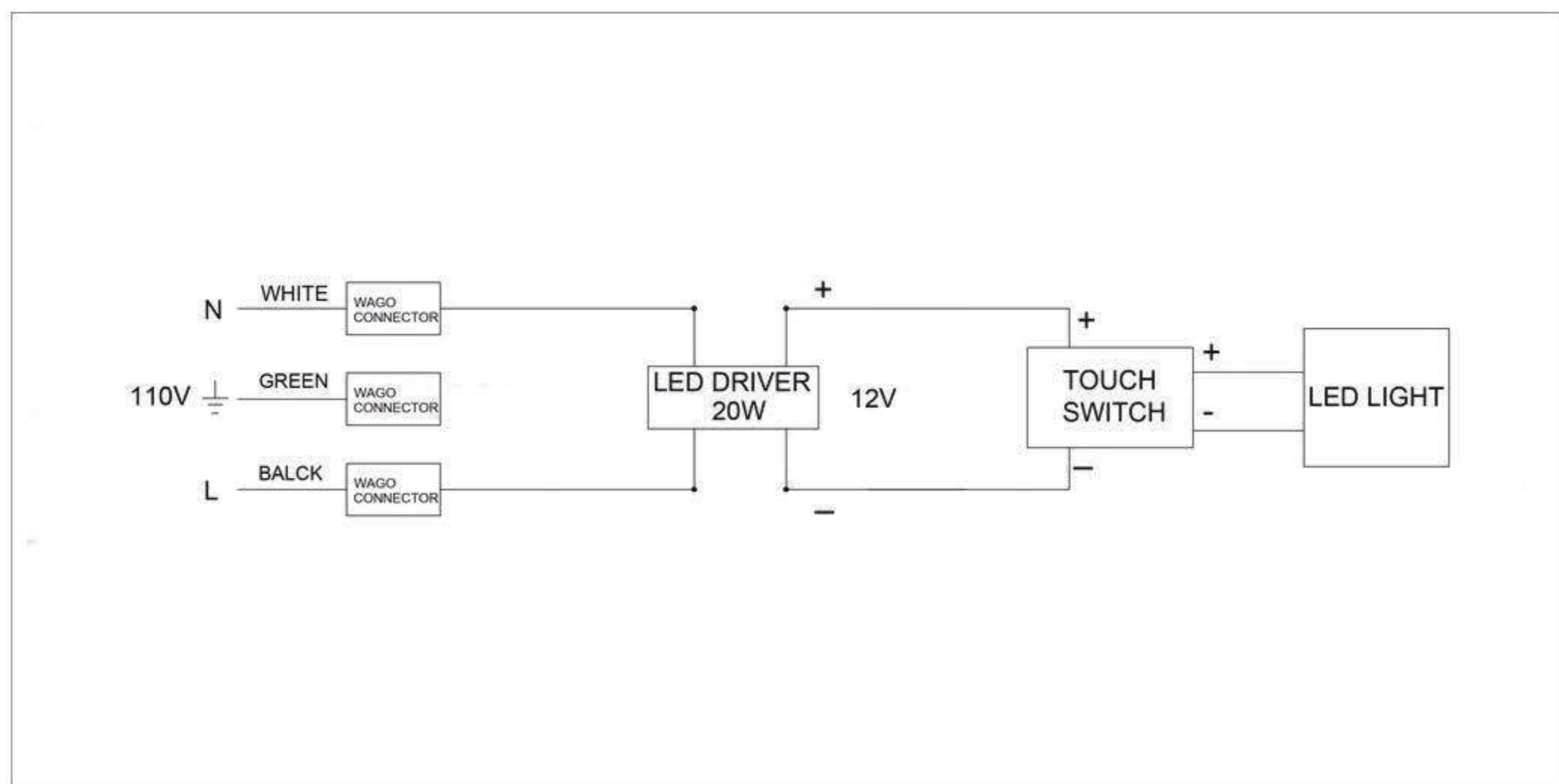


## Installation Options

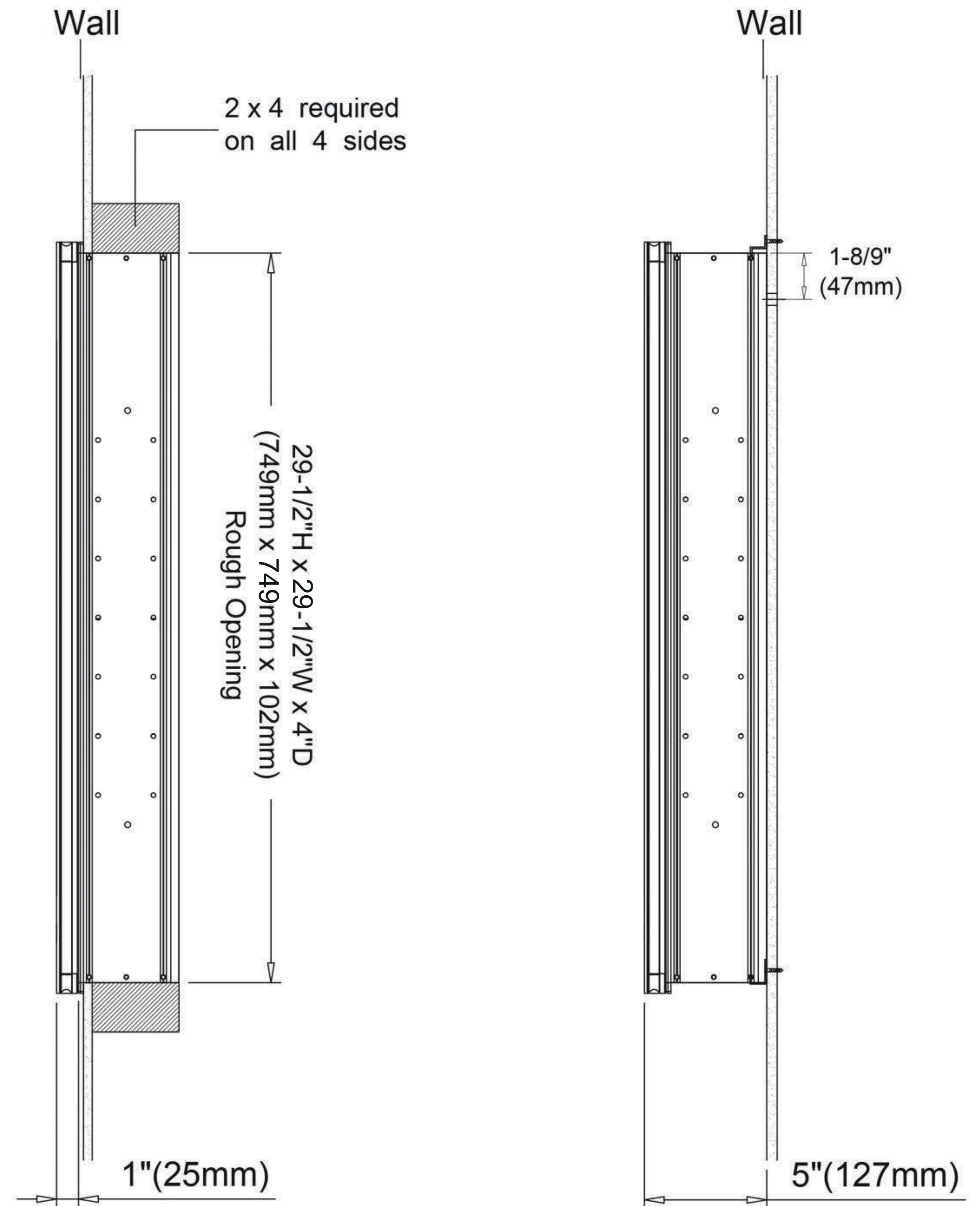
- Recessed Mount - Rough Opening - 29-1/2" H x 29-1/2" W x 4" D (749mm H x 749mm W x 102mm D)
- Surface Mount - Surface Mount Kit is included

## Electrical System

- 35 Watts LED Driver
- INPUT : 120VAC 60HZ 1.1A
- OUTPUT : 12VAC 3.0A
- Field wire location as shown in drawing
- 1/2" conduit (Ø 7/8" actual) electrical knockout location shown below
- Included field wire cable clamp
- Circuit Diagram

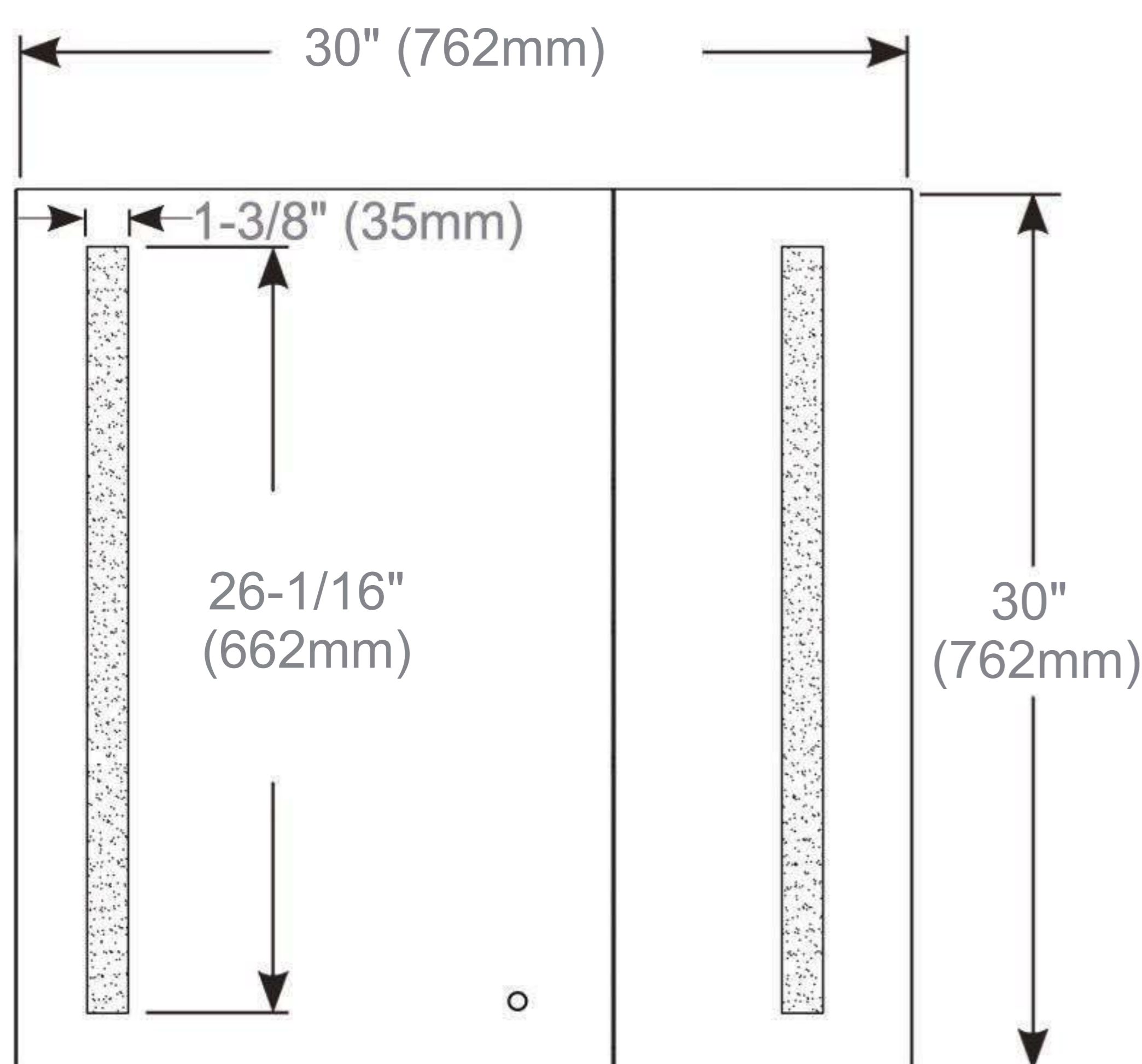


Circuit Diagram

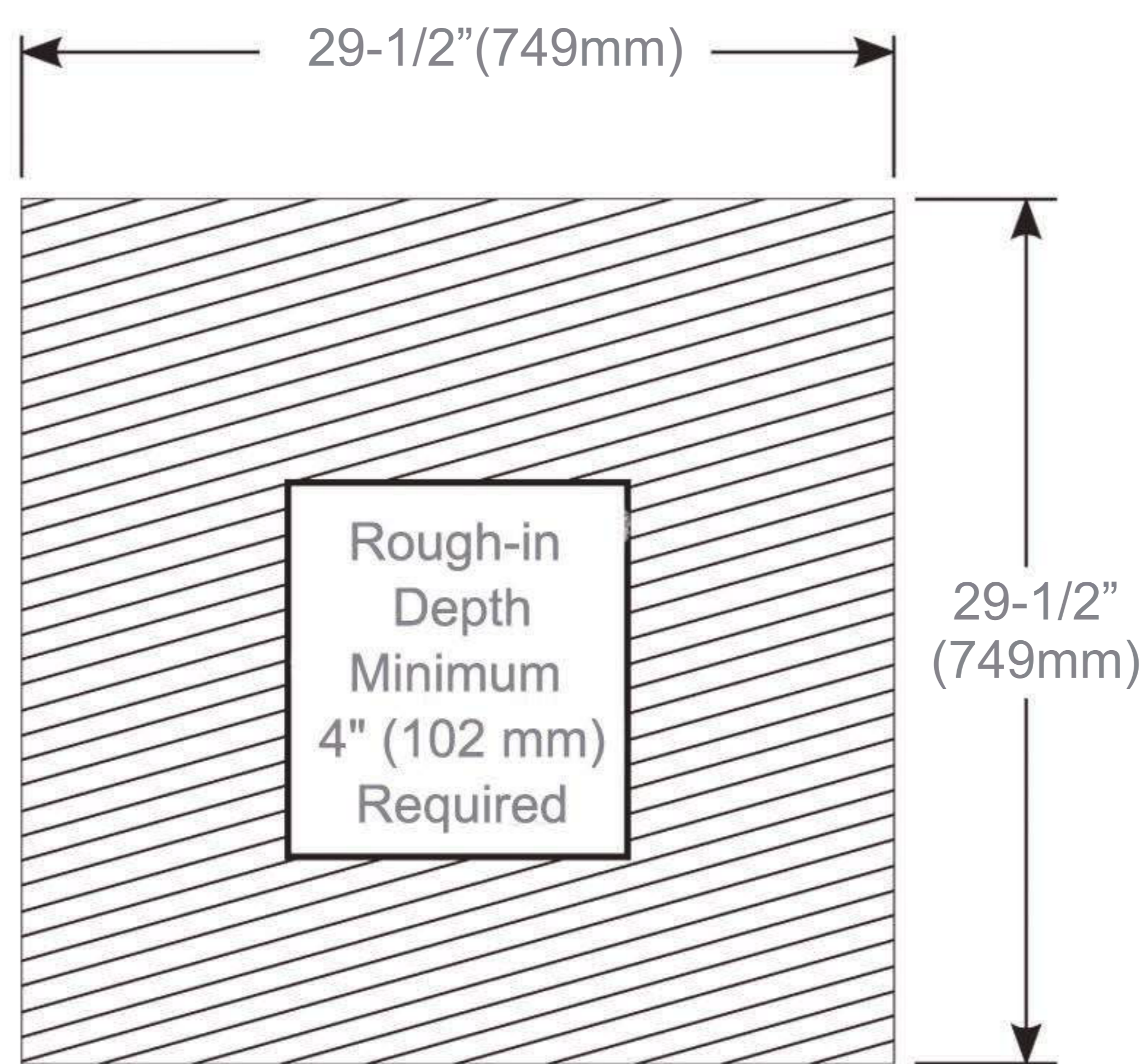


Recessed Mount

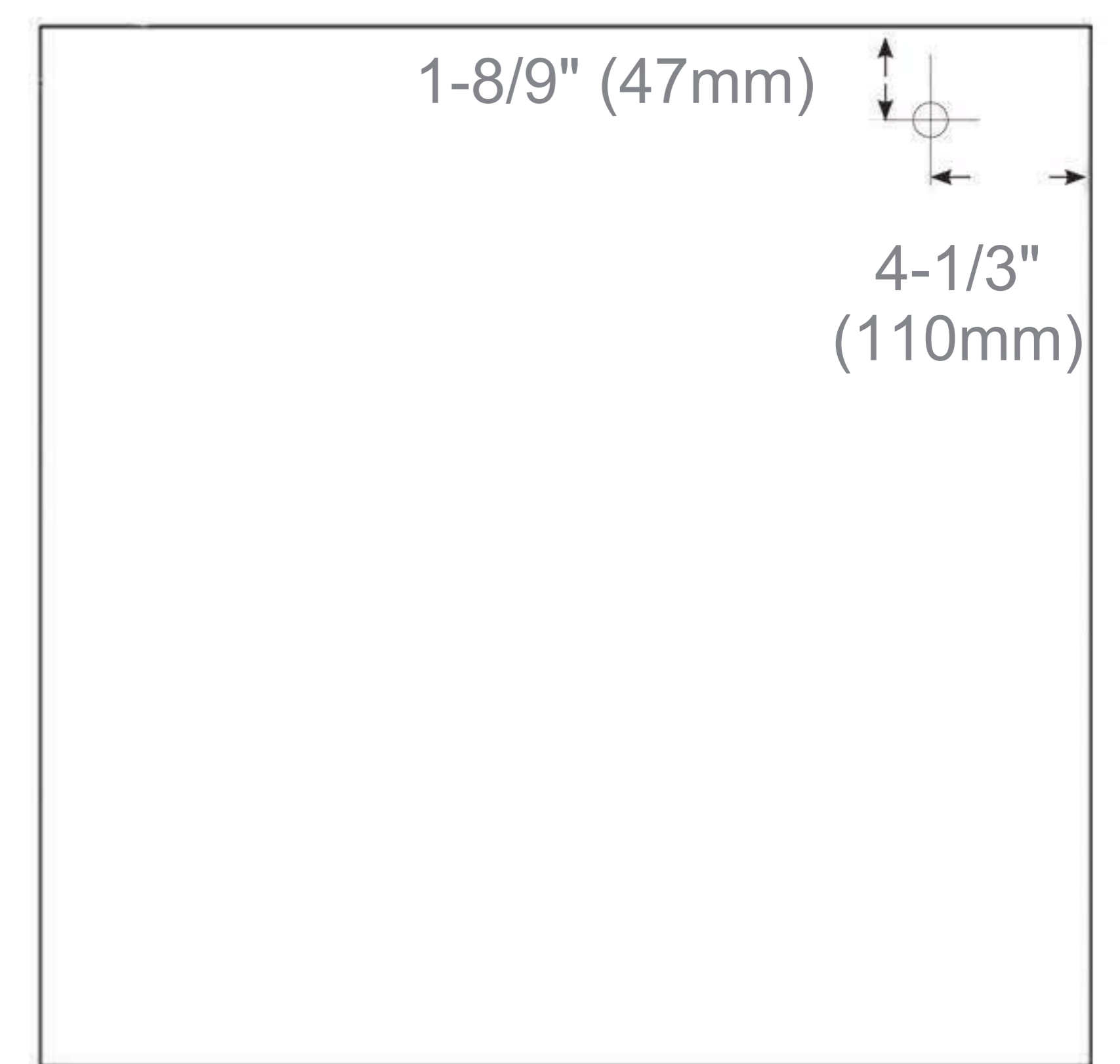
Surface Mount



Cabinet Dimensions



Rough-in Dimensions



Back of Cabinet - Wire Access Location