

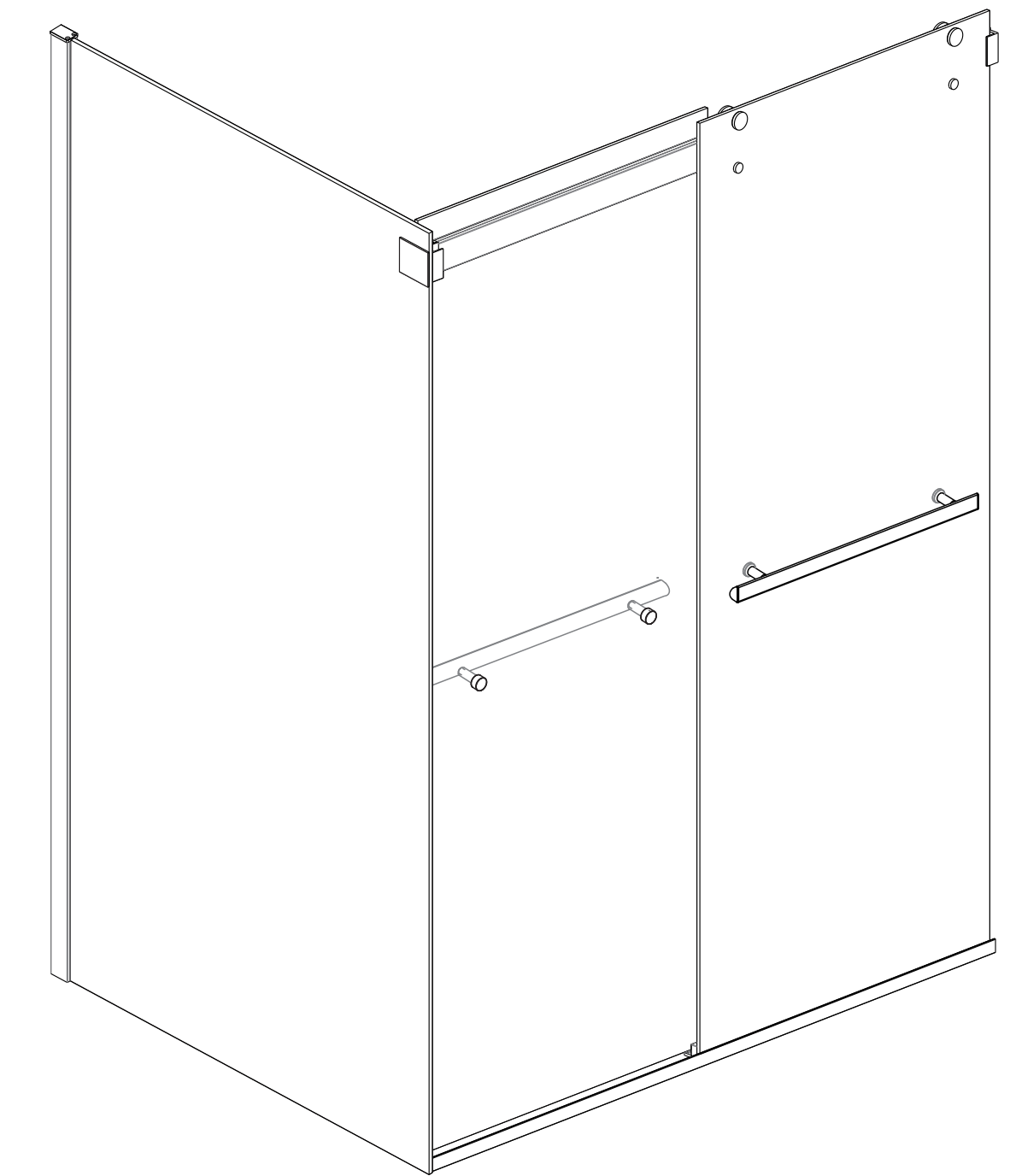


Vinnova Inc.

INSTALLATION SPECIFICATION

Item No.	301060+36P-MB
Combination	301060-BP-MB + 301036-SP-MB
Description	By-pass&Side Panel
Overall Dimensions	36"x60"x76"
Installation Size Range	35"-35 4/5" & 56 7/10"-60 6/10"
Profile Color	Matt Black
Glass Thickness	8/25"
Glass Color	Transparent&Easy clean
Gross Weight	84 LBS & 147 LBS
Certifications	ANSI Z97.1-2015

All measurements are approximate. Measurements may vary +/- 1/25".



Spezia
By-pass&Side Panel

