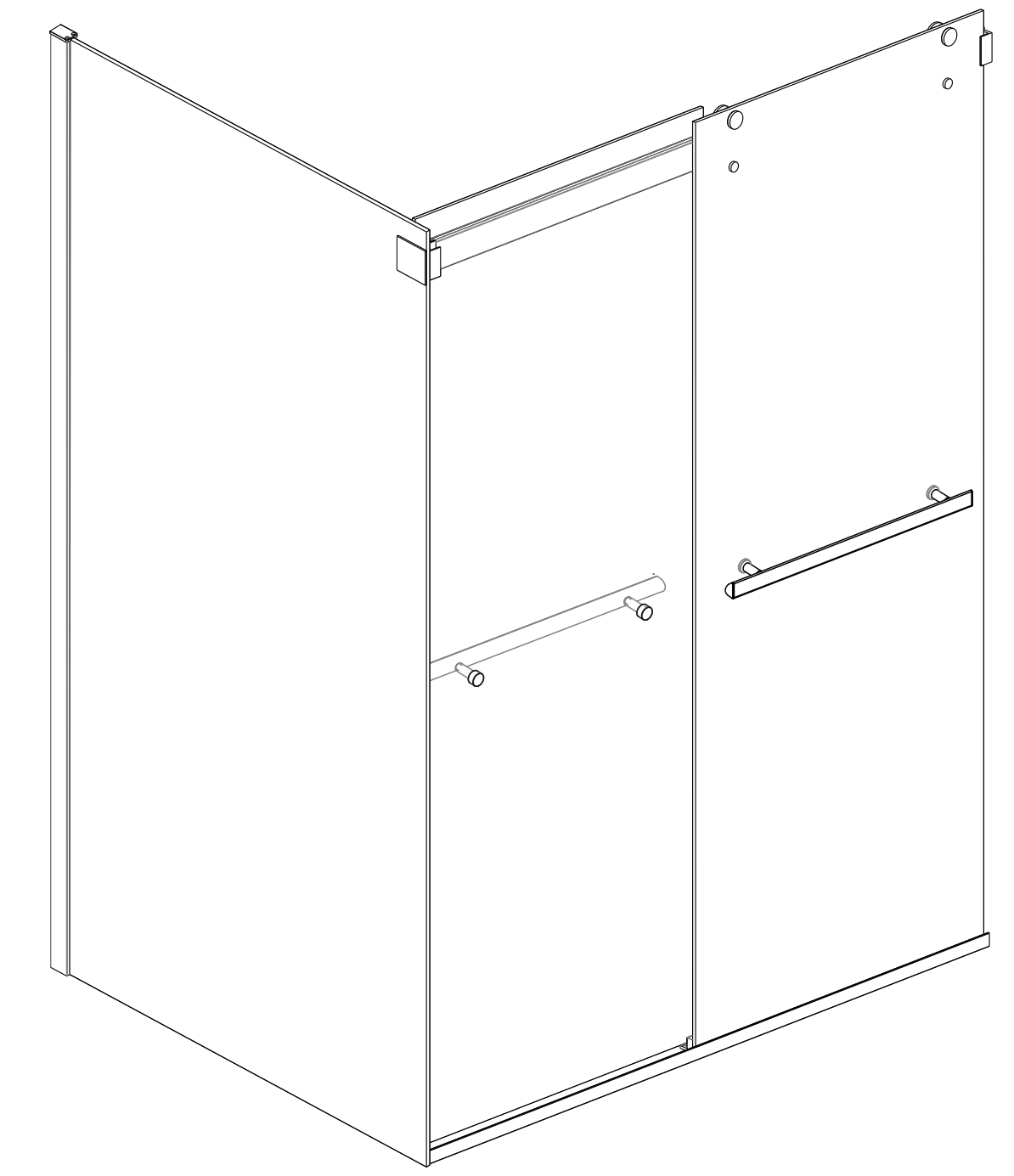




Vinnova Inc.

INSTALLATION SPECIFICATION

Item No.	301048+36P-MB
Combination	301048-BP-MB + 301036-SP-MB
Description	By-pass&Side Panel
Overall Dimensions	36"x48"x76"
Installation Size Range	35"-35 4/5" & 44 7/10"-48 6/10"
Profile Color	Matt Black
Glass Thickness	8/25"
Glass Color	Transparent&Easy clean
Gross Weight	84 LBS & 119 LBS
Certifications	ANSI Z97.1-2015



Spezia
By-pass&Side Panel

All measurements are approximate. Measurements may vary +/- 1/25".

