

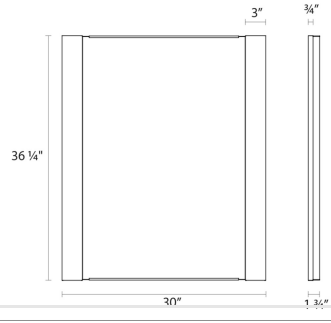
Project:

Vanity LED Mirror Kit Spec Sheet

SKU: 2554.01

Description: **Vanity LED Mirror System provides bright and even LED illumination in a compact form that enables mounting flush against a mirror or in a tight alcove.** Available in a Slim 1.5" profile that provides over 500 LED lumens per foot, and a Wide 3" profile that provides an astonishing 800 LED lumens per foot.

Type #:



Dimensions

Height:	36.25"
Width:	30"
Extends:	1.75"
Minimum Extension:	1.75"
Maximum Extension:	1.75"
Size:	Wide Vertical

Electrical Specs

Bulb(s) Included?:	Yes
Bulb 1 Type:	Integral LED
Bulb Quantity:	2
Input Voltage:	120VAC
Wattage:	80
Initial Lumens:	4800
Delivered Lumens:	4288
Color Temperature:	3000K
CRI:	90
Power Supply Type:	Transformer
Power Supply Quantity:	1
Power Supply Location:	Outlet Box
Dimming Type:	ELV
Bulb Max Wattage:	80

Installation

Installation:

Licensed electrician required
Any Orientation

Installation Orientation:

General Listings

Features:
Certification:
Color/Finish:
Dark Sky Friendly:

Damp Rated
C-ETL-US
Polished Chrome (.01)
N

Shipping

Carton 1 L x W x H:	39" X 7" X 7"
Carton 1 Gross Weight:	33 LBS
Carton 2 L x W x H:	39" X 7" X 7"
Carton 3 L x W x H:	30" X 4" X 42"

Shade

Shade 1 Material:	Optical Acrylic
-------------------	-----------------

Available Finishes

Available Finishes: Polished Chrome (.01)