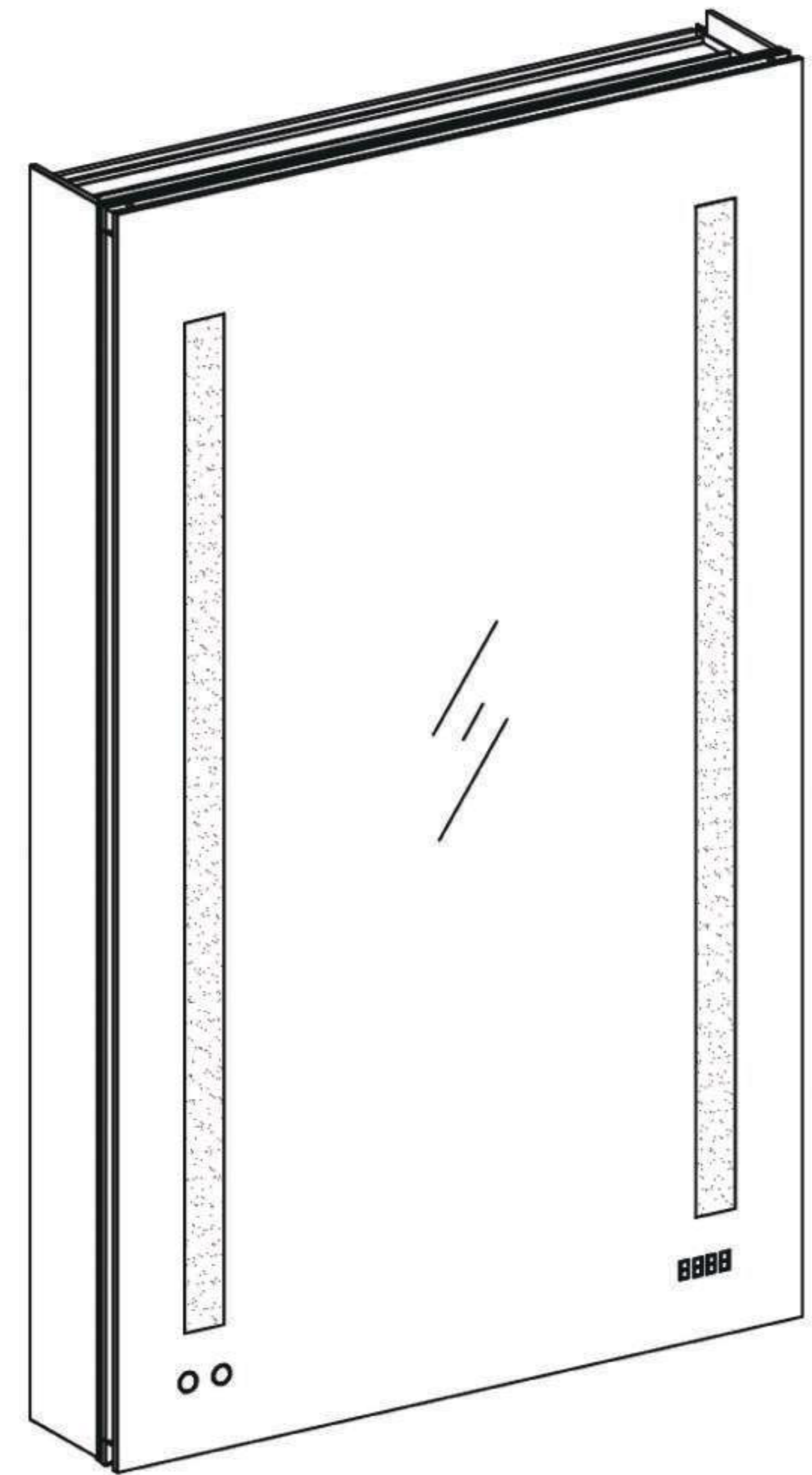


## Features

- 3D LED Color Temperature Lights with Dimmable touch control
- Mirrored interior with 4 adjustable glass shelves
- Includes Digital Clock
- Includes Defogger with push button
- Includes one USB outlet
- Includes installation hardware for recess mounting
- Can be recessed or surface mounted  
(surface mounting is included)
- Interior Light with sensor switch
- Energy efficient LED lighting:  
Integrated LED 3X Magnifying Mirror

|                 |      |      |                  |
|-----------------|------|------|------------------|
| Kelvin          | 3000 | 6500 | 4500 mixed color |
| CRI             | 80+  | 80+  | 80+              |
| Lumens*†        | 810  | 810  | 1620             |
| R9 Value*       | 50+  | 50+  | 50+              |
| Watts (AC)      | 60   | 60   | 60               |
| Lumens per Watt | 90   | 90   | 90               |



## Construction

- Grey aluminum body and door frame
- 3 mirror design – rear of cabinet and both sides of door
- Concealed finger pull-door edge
- 3 DTC 155° self-closing hinges on right hand
- Adjustable shelving at 3-1/7" (80 mm) increments
- Single field wire into electrical shelf - Front access serviceability

## Codes/Standards Applicable

Electric Option Models are ETL certified to:

- UL 962
- CSA Standard C22.2 No. 68

## Dimensions

Height: 40" (1016 mm)

Width: 24" (610 mm)

Depth: 5" (127 mm) When surface mounted

1" (25 mm) When recessed

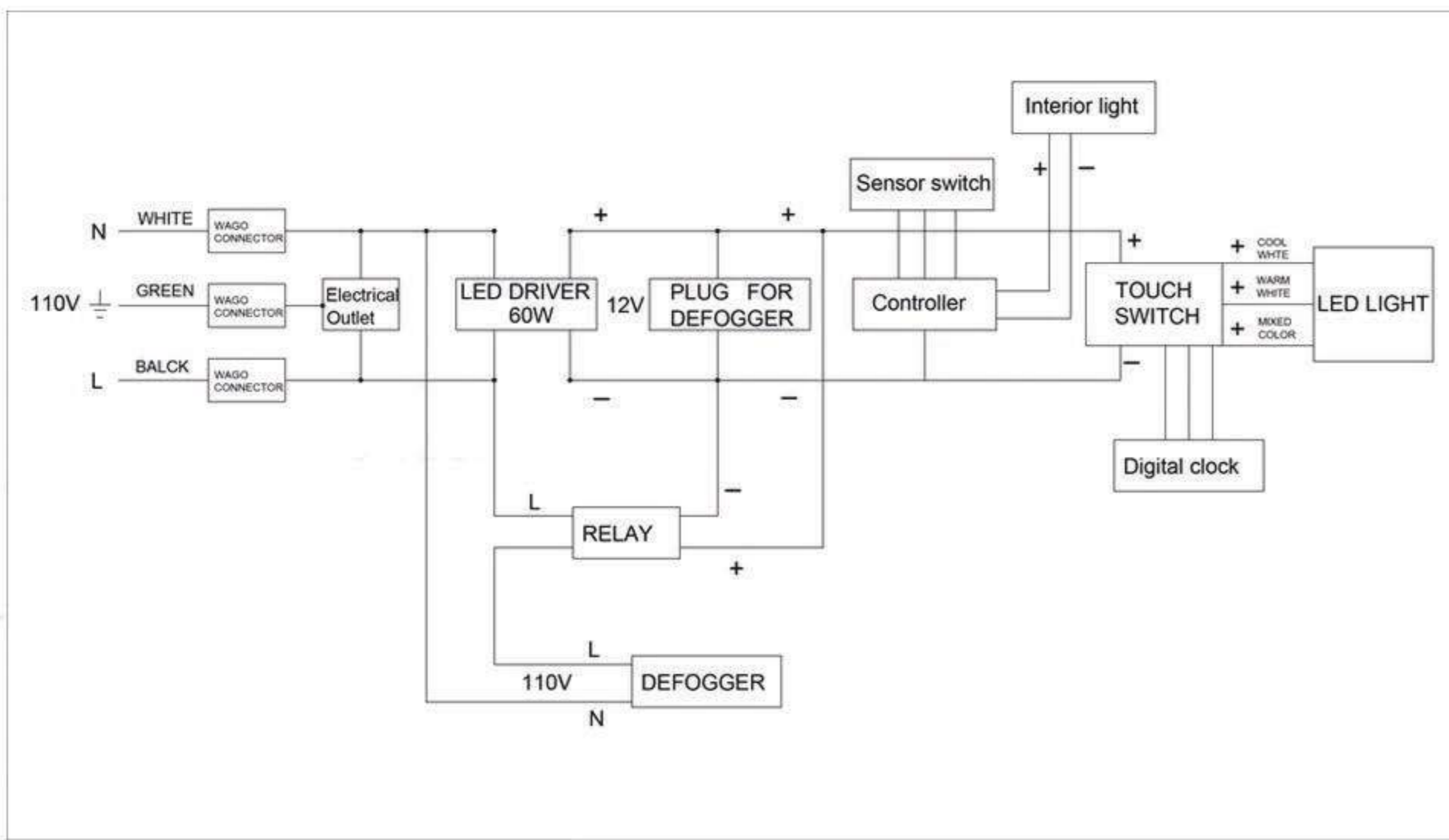


## Installation Options

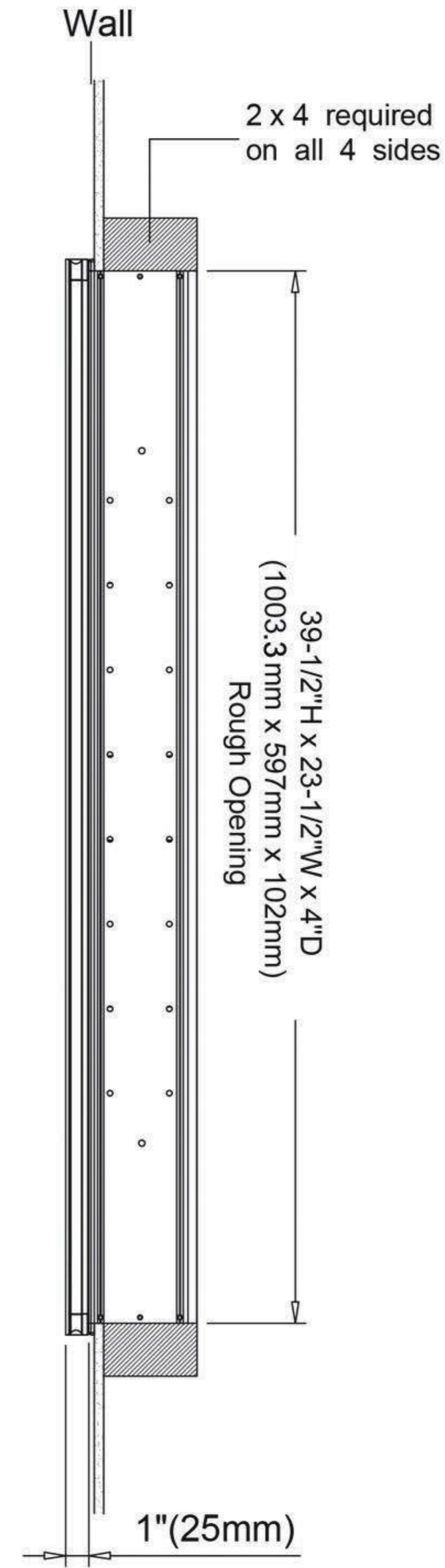
- Recessed Mount - Rough Opening - 39-1/2" H x 23-1/2" W x 4" D (1003.3mm H x 597mm W x 102mm D)
- Surface Mount - Surface Mount Kit is included

## Electrical System

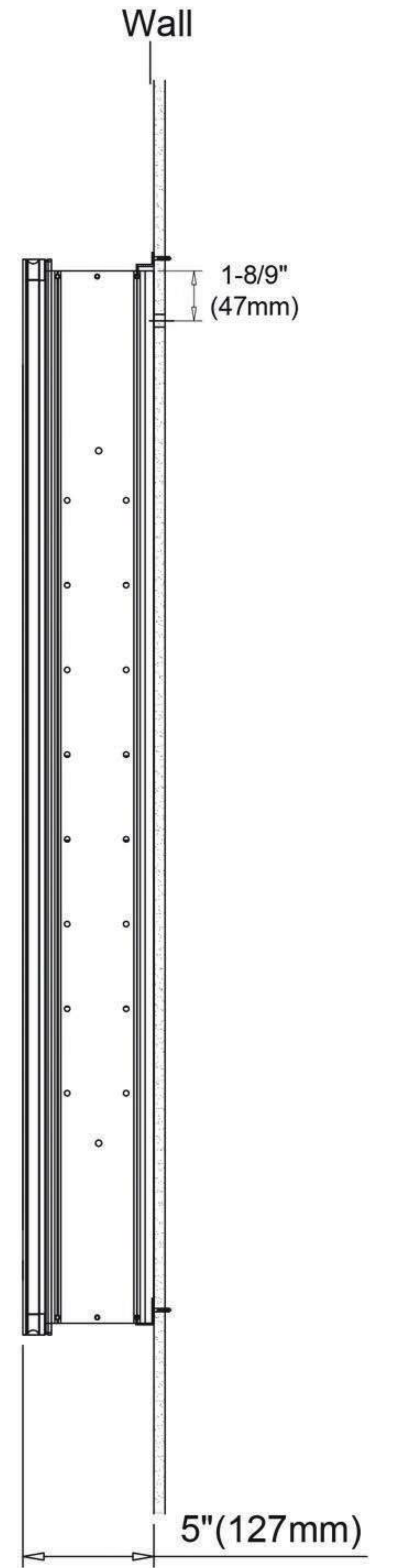
- 60 Watts LED Driver
- INPUT : 120VAC 60HZ 1.2A
- OUTPUT : 12VAC 5.0A
- Field wire location as shown in drawing
- 1/2" conduit (Ø 7/8" actual) electrical knockout location shown below
- Included field wire cable clamp
- Circuit Diagram



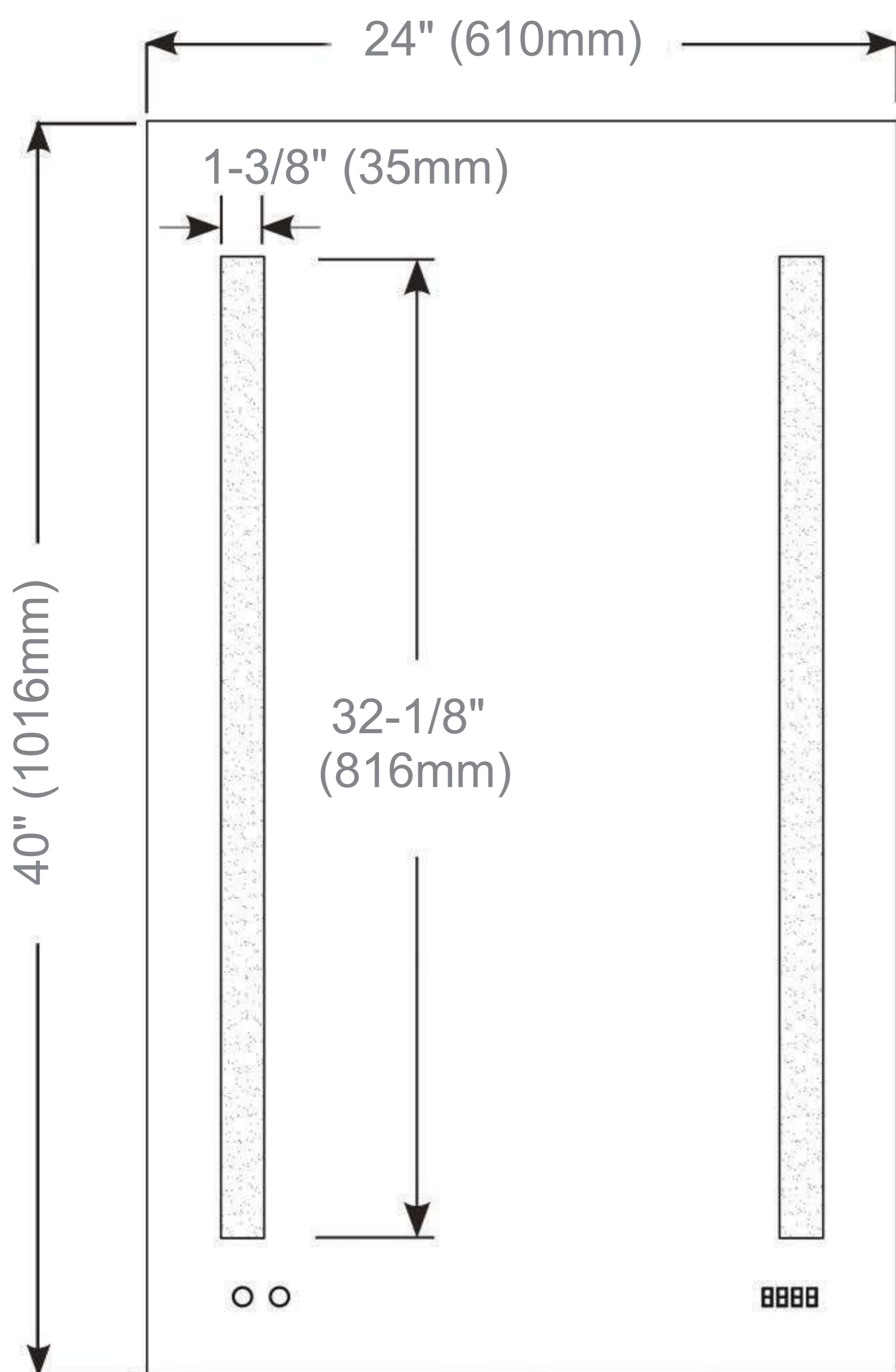
Circuit Diagram



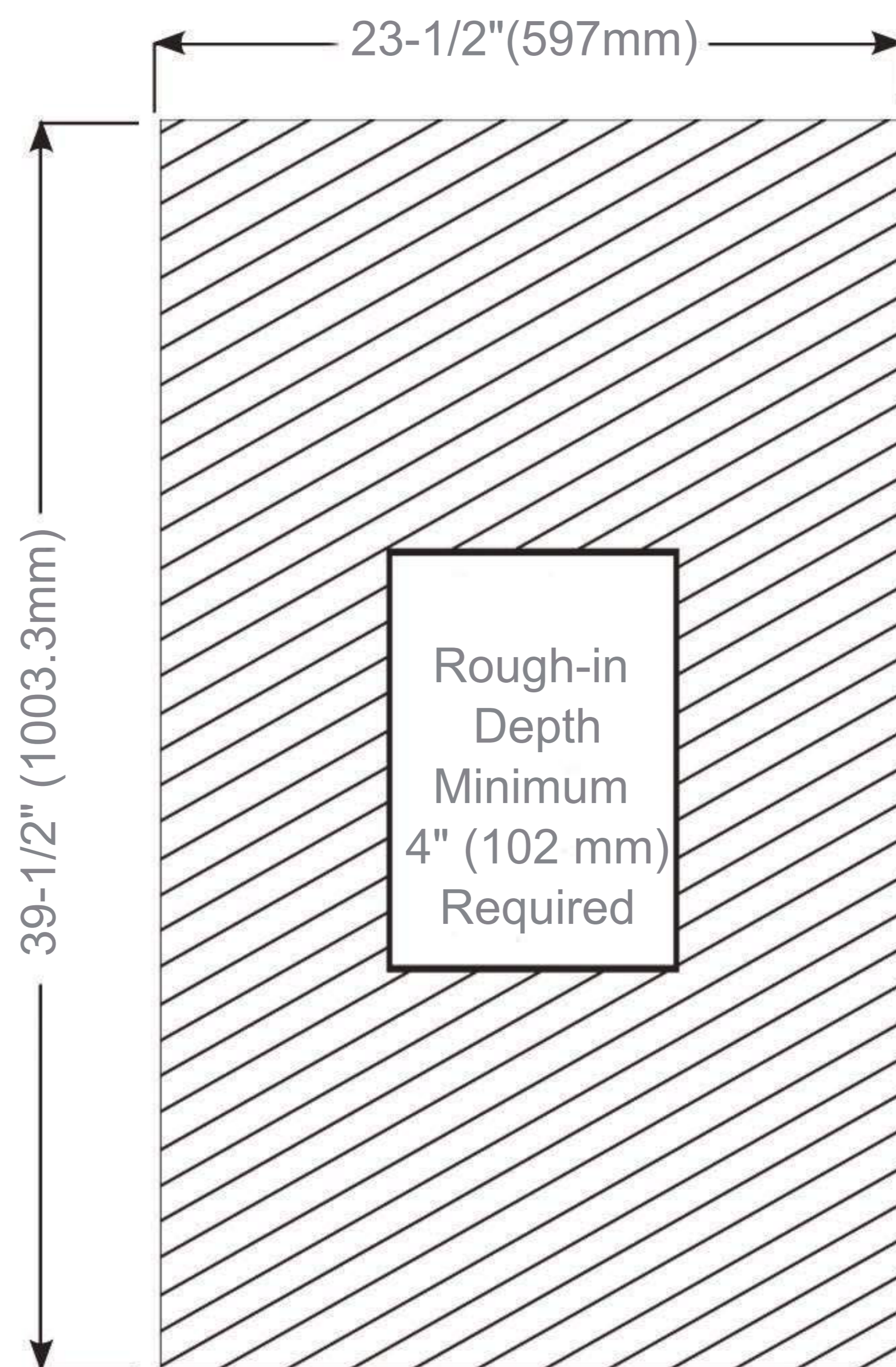
Recessed Mount



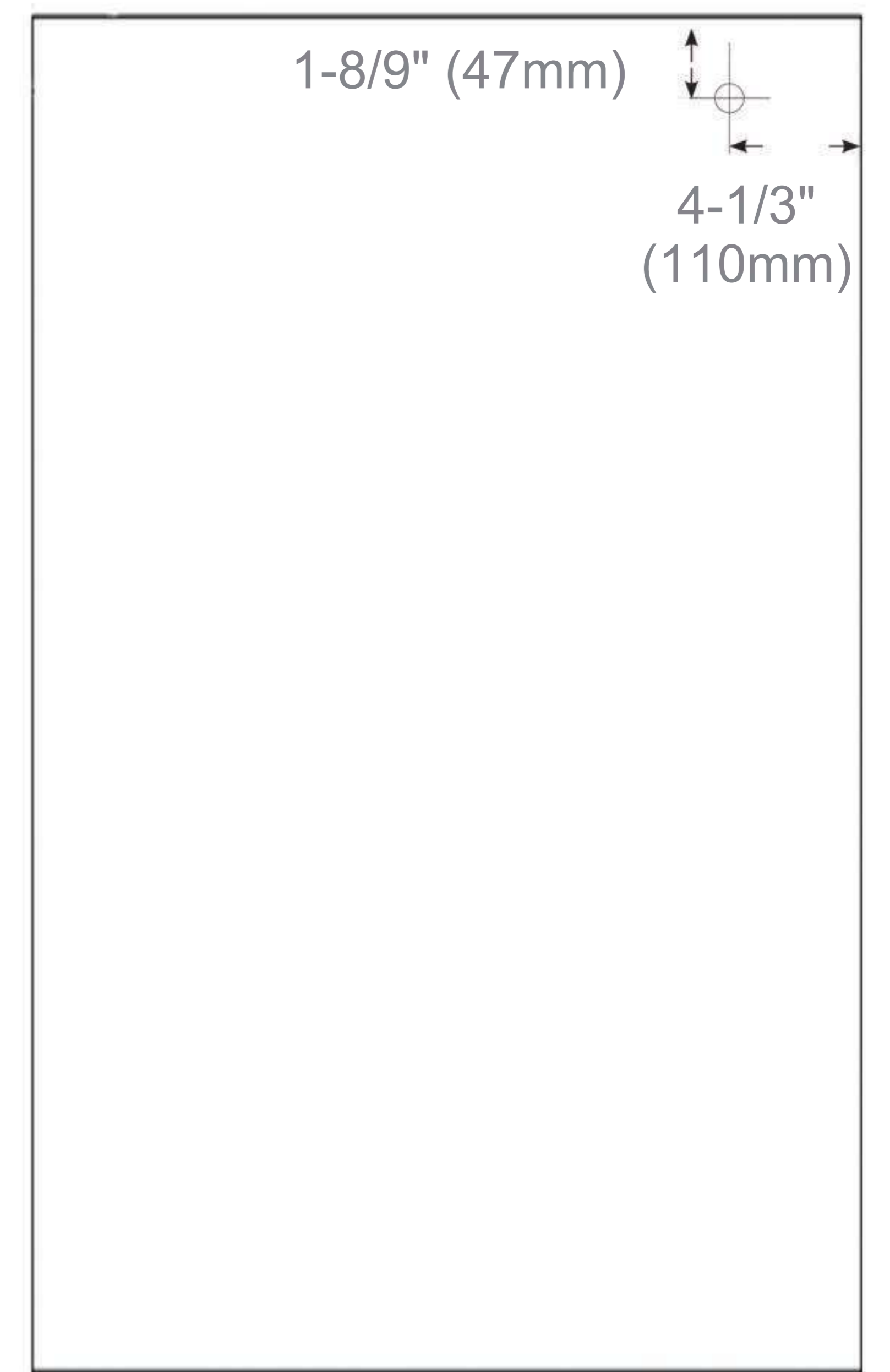
Surface Mount



Cabinet Dimensions



Rough-in Dimensions



Back of Cabinet - Wire Access Location