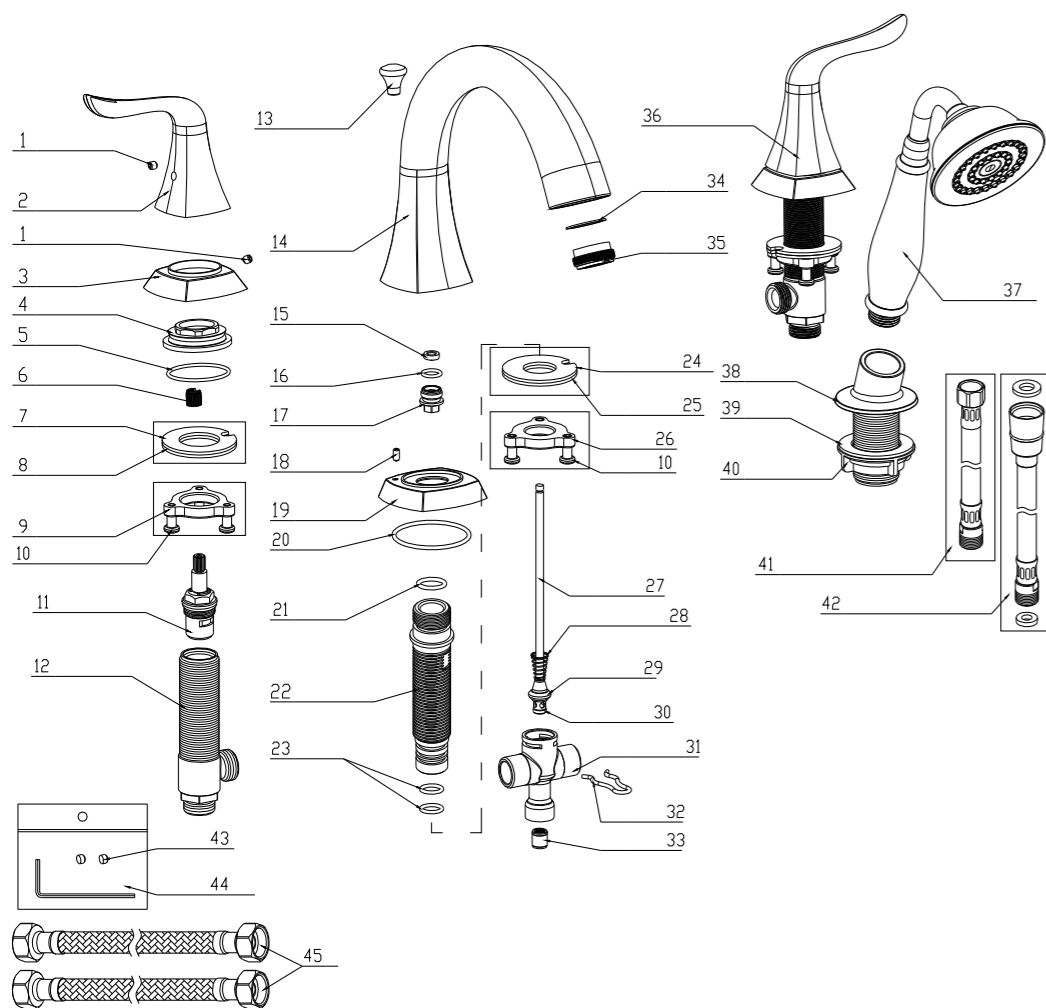


Step 4 Cleaning and care

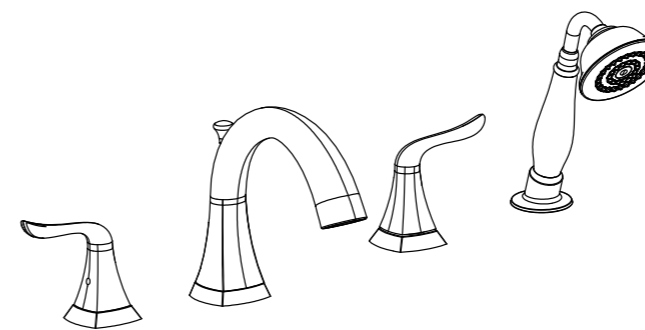
Daily cleaning and care are required in order to keep the product shining and properly working.

- 1 Clean it with water and dry it with soft cloth.
- 2 Clean the product with gentle liquid or glass cleaner.
- 3 Don't use acid cleaner.
- 4 Don't clean with abrasive material, abrasive paper or knife.

Step 5 Parts list



NO.	PART NAME
1	Allen screw
2	Handwheel
3	Handle flange
4	Cartridge locknut
5	Gasket assembly
6	Adapter
7	Rubber washer
8	Clamp
9	Nut
10	Screw
11	Aerator
12	Water way
13	Diverter cover
14	Body
15	Ring
16	O-ring
17	Lift rod
18	Allen screw
19	Aerator base
20	O-ring
21	O-ring
22	Converter pipe
23	O-ring
24	Rubber washer
25	Clamp
26	Nut
27	Lift rod
28	Spring
29	Glochidion lanceolarium
30	Diverter
31	Water valve
32	Clamp spring
33	Valve
34	Washer
35	Spout connector
36	Cartridge
37	Shower
38	Shower holder
39	Washer
40	Nut
41	Flexible hose
42	Pull-out hose
43	Screw index
44	Converter pipe



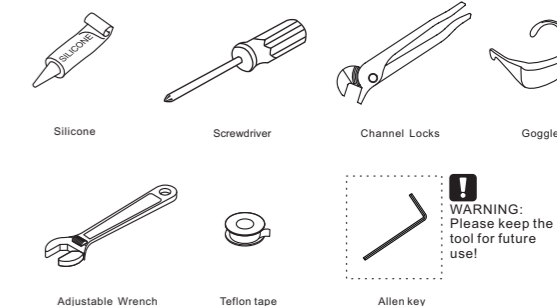
ROMAN TUB FAUCET

The product is CUPC, ADA certified.

Original certification model code: 2B469MV2

ASME A112.18.1/CSA B125.1

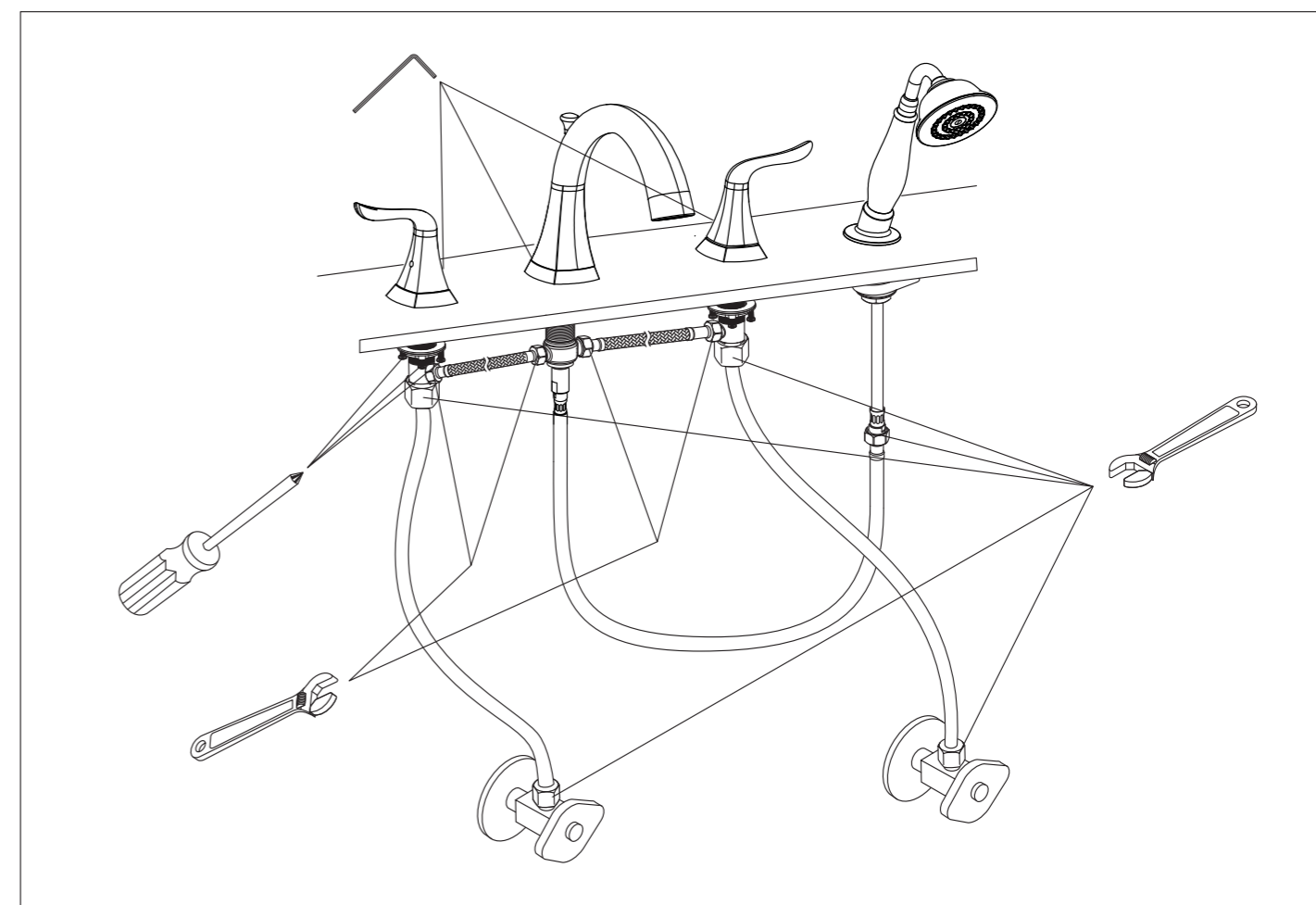
RECOMMENDED TOOLS OUTILS RECOMMANDÉS



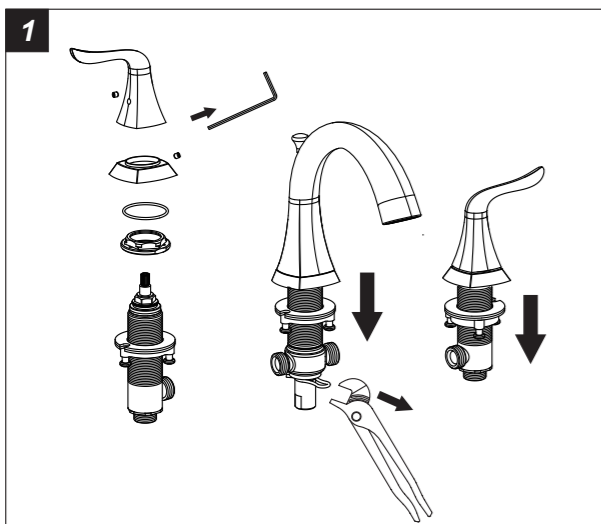
! WARNING:
Please keep the tool for future use!

! Attention:
for easy installation, you will need:
1. To read all the installation instruction completely before beginning.
2. To read all the warning, attention and maintenance information.
3. To purchase the proper supply lines.

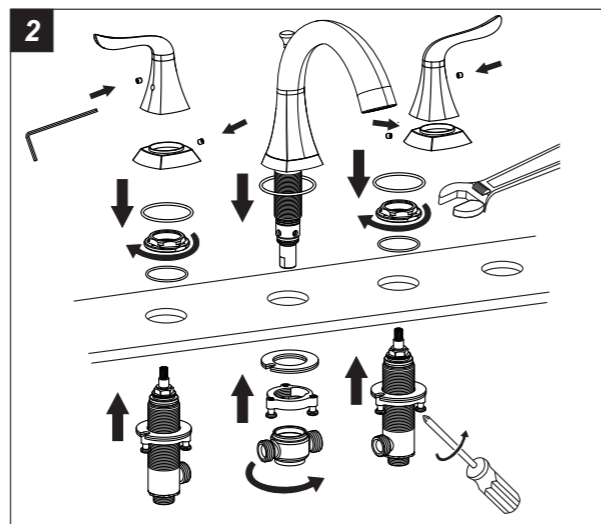
The tools might be applied to the following places:



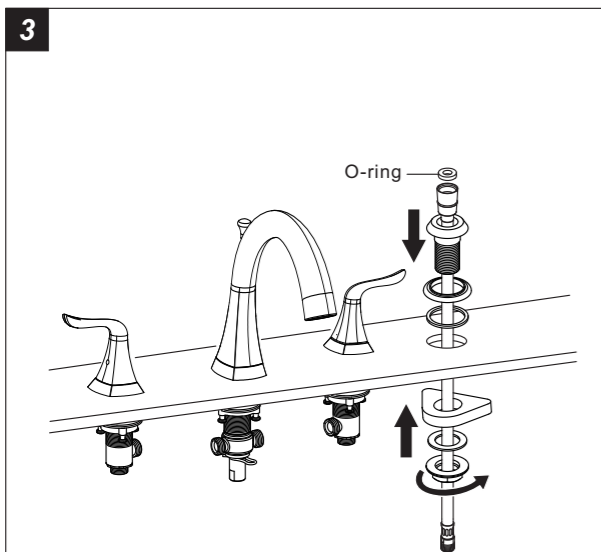
Step 1 Faucet installation



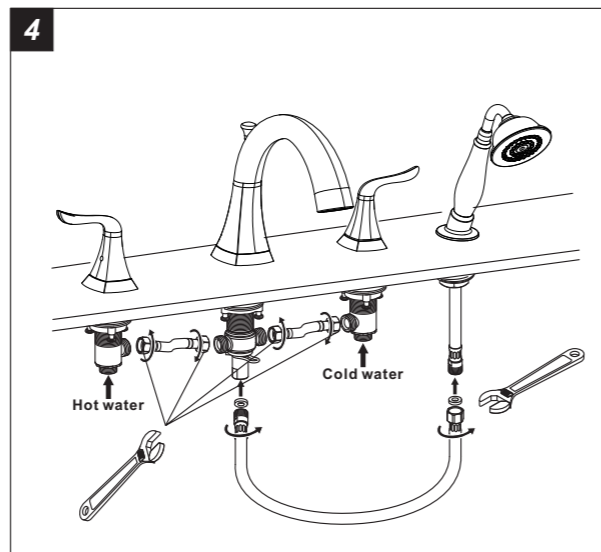
Disassemble the parts as photo.



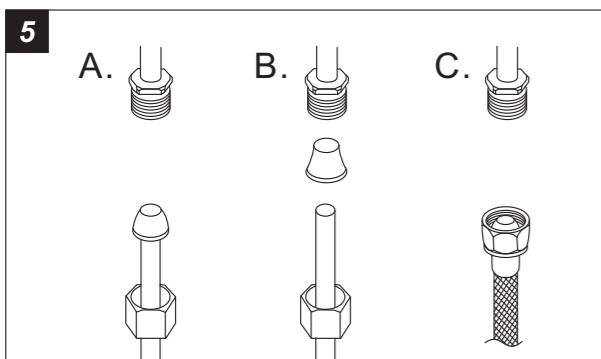
Position the parts as shown and secure each parts with tools respectively.



Position the hand shower and secure it with fixing kit.
Caution: DON'T FORGET THE O-RING BETWEEN THE HAND SHOWER AND HOSE.



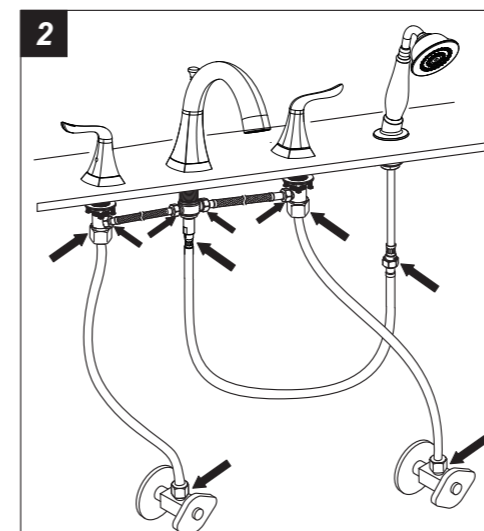
Connect the parts with supply lines as shown and tighten them with wrench.



Connect to water supply lines with either:
(A) 3/8" O.D. Copper tubing (ball nose risers with the coupling nuts) or;
(B) 3/8" Copper tubing (no ball) with supplied tube head interior connector or;
(C) IPS faucet connectors (1/2").

!
Warning:
The water supply lines are not included, please purchase them in plumbshop.

Step 2 Checking and testing

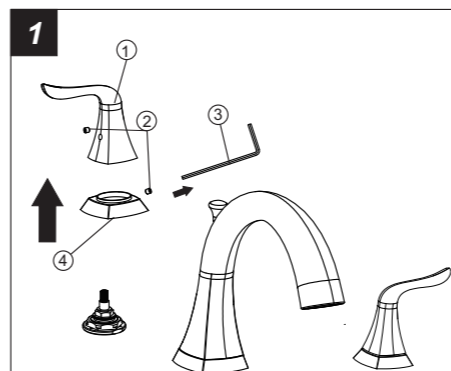


Check all connections at arrows for leaks, re-tighten it if necessary.

!
BUT DON'T OVERTIGHTEN

Step 3 Maintenance

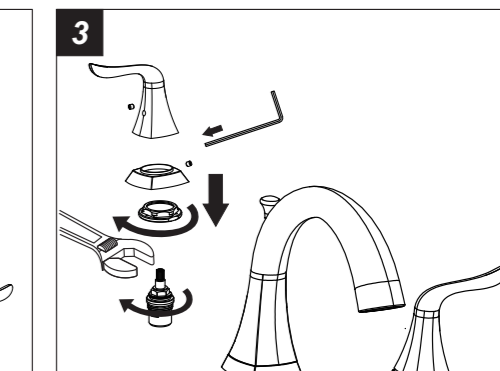
If faucet leaks from the handle or drips from spout, please replace cartridge following the following steps:



Disassemble the screw ② with Allen key ③, take out the handle ① and base ④.



Unscrew the old cartridge ② with Adjustable Wrench ①, then take it out.



Place a new cartridge in the cartridge seat, then screw the base and assemble the handle by securing the screws. Repeat the above steps for the other cartridge if necessary.