



## Kauai III Rain Shower System

1011-BN, 1011-BG, 1011-CH, 1011-MB, 1011-ORB

PW-91011-1125BRN, PW-91011-1125GB, PW-91011-1125CP, PW-91011-1125BM, PW-91011-1125BRZ

PW-91011-1118BRN, PW-91011-1118GB, PW-91011-1118CP, PW-91011-1118BM, PW-91011-1118BRZ

### Owner's Manual



# Parts Legend

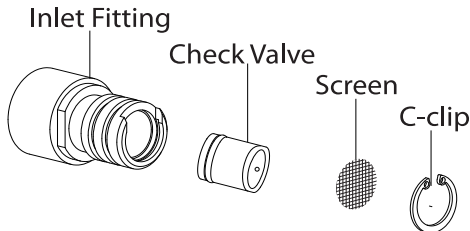
- |                            |                               |                              |
|----------------------------|-------------------------------|------------------------------|
| 1. ½" x 2" NPT Nipple      | 10. Hand Shower               | 20. Set Screw - 2.5X5mm      |
| 2. Inlet Fitting           | 11. Stainless Steel Hose      | 21. Rubber Washer .....(3)   |
| 2.1 check valve/restrictor | 12. Diverter Body             | 22. Diverter Handle          |
| 3. Top Escutcheon          | 13. Bottom Escutcheon         | 23. 2.5mm Hex Wrench         |
| 4. Top Tee                 | 14. Lower Mount Screw.....(2) | 24. PTFE Thread Sealant Tape |
| 5. Shower Arm              | 15. Lower Mount (w/ 3MTape)   | 25. Set Screw - 2.5X8mm*     |
| 6. Shower Head             | 16. Wall Anchor.....(2)       | 26. Shower Pipe Nut          |
| 7. Shower Pipe**           | 17. Set Screw - 2.5mmX4mm     | 27. Tapered Rubber Seal      |
| 8. Soap Dish               | 18. Swivel Joint              | 28. Diverter Cartridge       |
| 9. Hand Shower Holder      | 19. Check Valve               | 29. Glue                     |

\*DOES NOT APPLY ON MODEL 1077 \*\*4" SHORTER SHOWER PIPE (7)

Figure A

## Check Valve Removal:

If needed, Check Valve can be removed from Inlet Fitting and cleaned to increase water pressure.



Remove C-Clip, Screen, and Check Valve. Rinse with water to clean debris. Reinstall in Inlet Fitting.

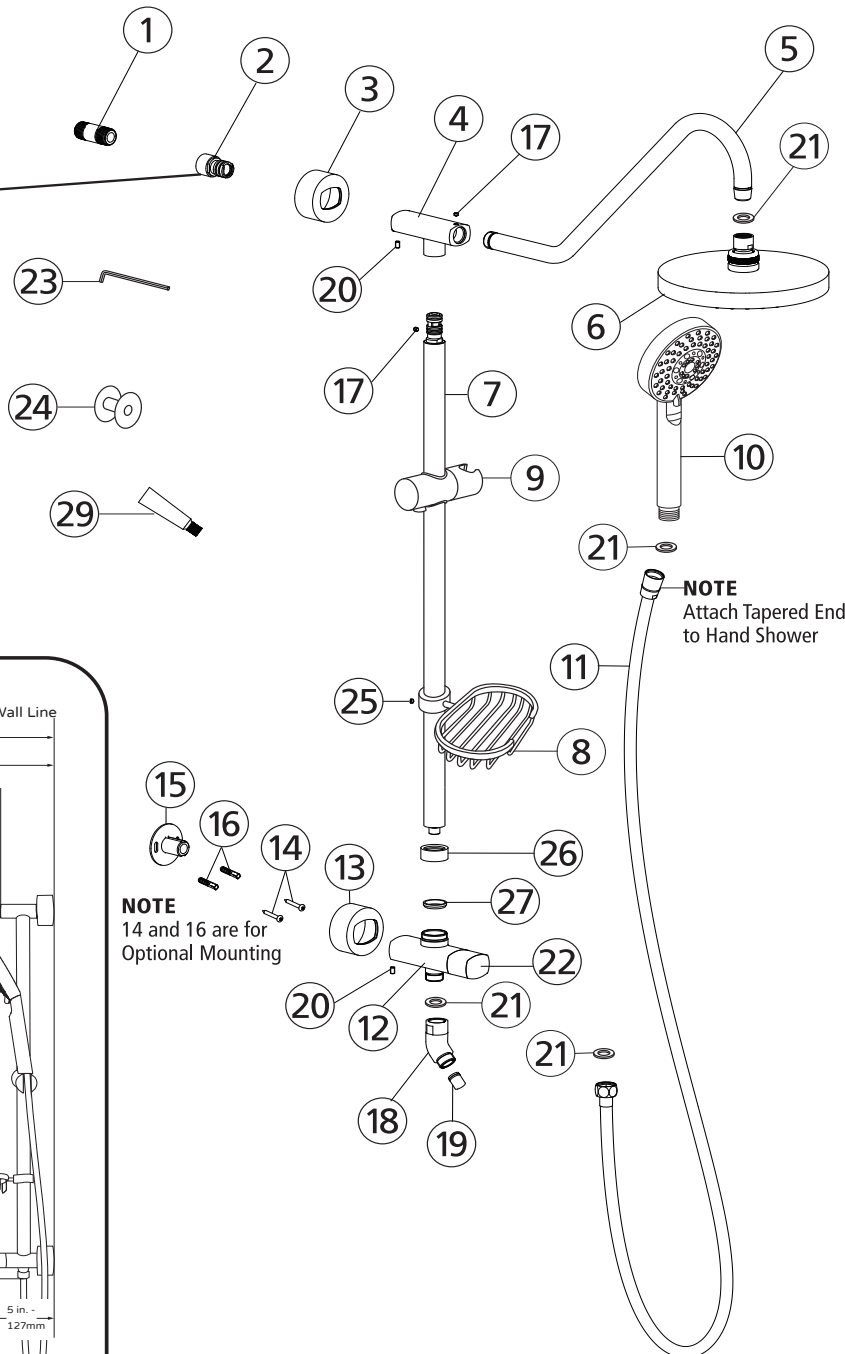
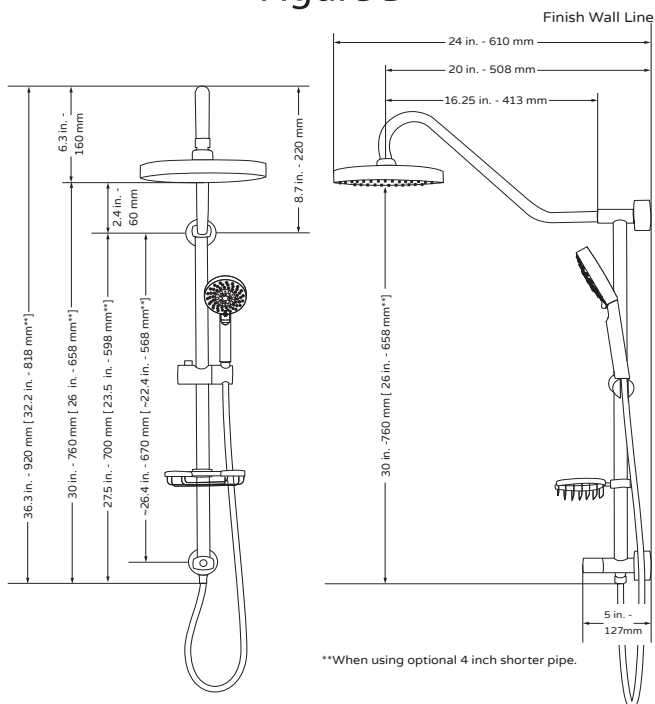


Figure B



NOTE  
14 and 16 are for  
Optional Mounting

NOTE  
Attach Tapered End  
to Hand Shower

# Installation Instructions

Thank you for choosing this Shower System by PULSE ShowerSpas!

Assembly and installation of the Shower System is designed to be quick and easy. If you have installation questions or performance problems, visit [www.pulseshower spas.com](http://www.pulseshower spas.com) for customer support

Please read instructions carefully, become familiar with all parts, installation procedures and tools required. Follow steps in order presented to help avoid mistakes.

## FOR NEW CONSTRUCTION OR COMPLETE REMODEL

- A hot/cold mixing valve is required (NOT INCLUDED)
- Nipple should extend  $\frac{1}{2}$ " past finished wall surface.

## TOOLS REQUIRED

Adjustable wrench, Phillips screwdriver, pencil, 2.5mm hex wrench, 3mm hex wrench

## ASSEMBLY

1. Determine length of brass NPT nipple (1) needed:
  - a. Place mark on existing shower arm at wall surface. Unscrew shower arm from elbow in wall.
  - b. Measure distance from mark on shower arm to end of shower arm threads. Add  $\frac{1}{2}$ " to this measurement, and then round to nearest  $\frac{1}{2}$ ".  
Example 1: If measurement =  $1\frac{1}{4}$ ", add  $\frac{1}{2}$ " =  $1\frac{3}{4}$ ", rounded = 2" NPT nipple—this is the length needed.  
Example 2: If measurement =  $1\frac{5}{8}$ ", add  $\frac{1}{2}$ " =  $2\frac{1}{8}$ ", rounded = 2" NPT nipple—this is the length needed.

**IMPORTANT:** If shower arm is located above tile/fiberglass wall surface you must add distance from sheetrock to face of tile/fiberglass shower wall to the above measurement.

**NOTE:** If supplied 2" nipple (1) is not correct length based on above formula, you must obtain correct size NPT brass nipple (sold separately), available at most hardware stores.

2. Apply generous amount of PTFE Thread Sealant Tape (24) to both ends of nipple (1).
3. Hand tighten inlet fitting (2) onto nipple (1), then nipple to fitting in wall. Use adjustable wrench on inlet fitting to tighten both connections simultaneously until both are secure with no leaks.
4. Slide hand shower holder (9) off shower pipe (7).
5. Slide soap dish (8) onto shower pipe to desired position and secure with set screw (25). For model 1077 slide soap dish retainer onto shower pipe. Slide plastic soap dish onto shower pipe and push soap dish down until flush with retainer.

## CAUTION—DO NOT OVERTIGHTEN

6. Reinstall hand shower hanger (9).
7. Secure swivel joint onto bottom of diverter body (12). Swivel joint should move freely side to side.

## CAUTION—DO NOT OVERTIGHTEN

8. Insert shower pipe (7) into top tee (4). Secure with set screw (17).

9. Slide top escutcheon (3) over top tee (4).

**HINT**—Lubricate escutcheon o-ring; a small amount of soapy water will do the trick.

10. Slide bottom escutcheon (13) over diverter body (12).

**HINT**—Lubricate escutcheon o-ring; a small amount of soapy water will do the trick.

11. Loosen set screw (20) on diverter and slide lower mount (15) into diverter body (12).
12. Push top tee (4) over inlet fitting (2) until flush against fitting. Position diverter body (12) so shower pipe is plumb (vertical).
13. Mark location of lower mount with pencil.
14. Wall surface must be clean of any residue and completely dry.

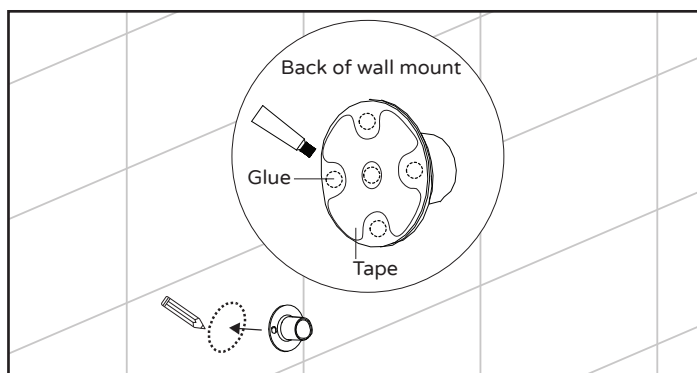
## OPTION 1: 3M Tape

Remove covering of 3M Tape and position mount on marked locations.

## OPTION 2: Glue

Apply glue as indicated in Figure 1, remove covering of 3M tape and position mount on marked location.

15. Apply pressure to mount for 30 seconds by pushing firmly against the wall. To ensure proper adhesion, allow one hour before using your ShowerSpa and keep area around the mount as dry as possible for the first 24 hours. Tape and glue will be fully cured after 24 hours.



**OPTIONAL:** Secure lower mount with permanent wall anchors. Mark hole locations in lower mount (15). Drill  $1\frac{1}{4}$ " deep holes using 6mm ( $\frac{1}{4}$ ") masonry/tile drill bit. Insert wall anchors (16) and secure lower mount with screws (14). **CAUTION—LIVE PLUMBING IN WALL**

16. Position shower pipe (7) parallel to wall by sliding diverter body (12) on lower mount (15). Secure diverter to lower mount with set screw (20).
17. Insert rubber washer (21) into both ends of hose (11). Connect hex head end to swivel joint (18) and tapered end to hand shower (10). Place hand shower (10) into adjustable hanger (9).
18. Tighten shower head (6) securely to shower arm (5).

## Accessories

Accessories available at [www.PulseShowerSpas.com](http://www.PulseShowerSpas.com)



Short pipe Kauai III

## Usage

Diverter valve controls the showerhead and handshower function. Turn diverter clockwise for hand shower, counterclockwise for shower head. Position between for both functions.

Turn face of hand shower to switch settings.

Adjust the hand shower position by depressing the button on the hanger and sliding up or down.

Always turn cold water on first to help prevent any accidental burning or scalding; especially for children and elderly.

This Shower System is equipped with Spray Straight™ technology in the tips of the showerhead and hand shower. If the stream becomes obstructed from mineral deposits, simply rub the soft tips with your finger to loosen the deposits.

DO NOT use any part of the Shower System as a support device.

## Care and Maintenance

To keep your Shower System looking new, wipe down after each use with a soft cotton cloth.

Protect your Shower System from hard water stains and mineral deposits by periodically using an auto spray wax.

Clean using mild liquid soap and a non-abrasive sponge or cloth. Rinse with clean water.

If the flow rate of your Shower System is less than desired or reduces over time, flow restrictors located in the inlet fitting can be removed for cleaning.

Do Not Use Any Kind Of  
Chemicals Or Abrasives!

## MANUFACTURER'S LIFETIME LIMITED WARRANTY

1. Defects Covered; Warranty Period. Pulse Shower Spas, Inc. ("Pulse") warrants to the original consumer purchaser who purchases this shower spa (the "Product") for use in his or her own home, that the Product will be free from defects in material and manufacturing workmanship for as long as the original consumer purchaser owns that same home. For all other purchasers (including, but not limited to purchasers for industrial, commercial and business use), the above warranty will apply for a period of 5 years from the original date of purchase.

2. Remedy. If the Product does not conform to the above warranty, Pulse, at its option, will repair or replace the Product, free of charge, or refund your purchase price. For warranty claims, please visit [www.pulshowerspas.com/index.php/warranty](http://www.pulshowerspas.com/index.php/warranty). Pulse may require that you return the Product to Pulse, shipping prepaid, in which case Pulse will provide you with a return materials authorization number (RMA). Pulse may also require that you provide evidence of the date you purchased the Product. Pulse will ship a new or repaired Product to you, at the expense of Pulse, or refund your purchase price. Service labor performed by you or others in connection with the removal or replacement of the Product will not be reimbursed by Pulse.

3. Exclusions. Pulse shall not be responsible for failure of the Product, and the above warranties will not apply, if the Product fails as a result of improper installation, improper use, modifications or repairs by anyone other than Pulse, or accident or abuse (including damage during shipment).

4. Warranty on Repairs and Replacements. For consumer purchasers who purchased the Product for home use, repaired or replacement Products will continue to be covered under this warranty for as long as he or she owns that same home. For other purchasers, repaired or replacement Products will be covered for the balance of the original warranty period.

5. No Other Warranties; Limitation of Liability. OTHER THAN THE LIFETIME LIMITED WARRANTY STATED ABOVE, PULSE DISCLAIMS ALL OTHER WARRANTIES, EXPRESS OR IMPLIED, INCLUDING BUT NOT LIMITED TO WARRANTIES OF MERCHANTABILITY AND FITNESS FOR A PARTICULAR PURPOSE, TO THE EXTENT PERMITTED BY APPLICABLE LAW. THE REMEDIES STATED ABOVE ARE YOUR SOLE REMEDIES IN CONNECTION WITH THIS WARRANTY. IN NO EVENT WILL PULSE BE LIABLE TO YOU FOR ANY DAMAGES, WHETHER DIRECT, INDIRECT, INCIDENTAL, SPECIAL OR CONSEQUENTIAL, INCLUDING BUT NOT LIMITED TO LOST PROFITS OR BUSINESS INTERRUPTION, ARISING OUT OF OR RELATING TO THE PRODUCT OR ITS USE, WHETHER UNDER A CONTRACT, WARRANTY, TORT, OR ANY OTHER CAUSE OF ACTION, EVEN IF PULSE HAS BEEN ADVISED OF THE POSSIBILITY OF SUCH DAMAGES. NOTWITHSTANDING THE TERM OF ANY LIMITED OR IMPLIED WARRANTY, OR IN THE EVENT THAT ANY LIMITED WARRANTY FAILS OF ITS ESSENTIAL PURPOSE, IN NO EVENT WILL PULSE'S ENTIRE LIABILITY EXCEED THE PURCHASE PRICE OF THE PRODUCT. SOME STATES AND PROVINCES DO NOT ALLOW THE EXCLUSION OR LIMITATION OF INCIDENTAL OR CONSEQUENTIAL DAMAGES SO THE ABOVE LIMITATIONS OR EXCLUSIONS MAY NOT APPLY TO YOU. THIS LIMITED WARRANTY GIVES YOU SPECIFIC LEGAL RIGHTS, AND YOU MAY ALSO HAVE OTHER RIGHTS WHICH VARY FROM STATE TO STATE AND PROVINCE TO PROVINCE.

