

# UNIFIT ROUGH-IN INSTALLATION INSTRUCTION

**MATERIALS REQUIRED:**

1. Mounting bolts
2. Wax ring/seal

**TOOLS NEEDED:**

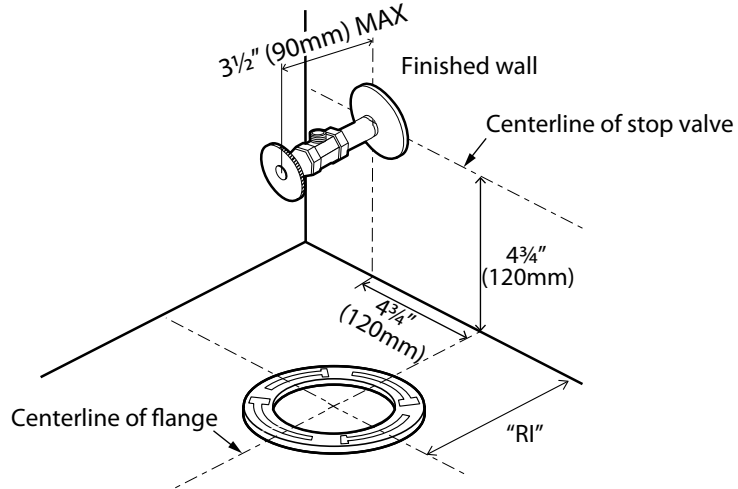
1. Tape measure
2. Screwdriver
3. Putty knife
4. Power drill, 1/8" drill bit (for wood floor installation) & 5/16" masonry drill bit (for masonry/tile floor installation) - for mounting block
5. Pencil

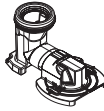
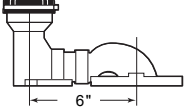
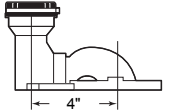
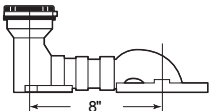
**PACKAGE CONTENTS:**

1. Rough-In - 1
2. Mounting screw w/washer - 2
3. Anchor - 2
4. Installation template - 1
5. Installation instruction - 1

**STEP 1 PIPING CHECK AND ROUGH-IN**

1. In order for your new TOTO toilet to fit correctly, check the dimensions in the Table below. Rough-In ("RI"): Distance between finished wall to the center of the toilet outlet.
2. Remove existing toilet (if necessary)



"RI"	Rough-In Part Number		
12 inch	TSU08W.12 (supplied)		
10 inch	TSU08W.10 (optional - must be purchased separately)		
14 inch	TSU08W.14 (optional - must be purchased separately)		

**Please make sure that you have the correct outlet connection part.**

**STEP 2 INSTALLING MOUNTING BOLTS**

1. Cover/block the drain opening to prevent items from falling into the drain and prevent smell from coming up.
2. Clean any debris out of the closet flange.
3. Install the mounting bolts (either provided by the original closet flange or new wax ring) into the slots of the flange. Insert the bolts into the slot with its head down and threaded shank pointed upward.

## STEP 3 INSTALLATION TEMPLATE INSTRUCTION

Follow the Installation Template instruction that comes with the Installation Template.

## STEP 4 INSTALLING THE ROUGH-IN

1. Flip the rough-in upside down and firmly press a new wax seal onto the circular recess around the outlet opening.
2. Turn the rough-in upright and lower it into position over closet flange. With the unit properly aligned, press down firmly to set wax seal.

**NOTICE:** DO NOT move the outlet connection after the wax seal is set. If this notice is disregarded, you will have to discard the wax seal and replace with a new one.

3. Insert washers and thread nuts onto mounting bolts on the closet flange and hand tighten. Then tighten bolts an additional ½ turn.
4. Secure back side of the rough-in to the floor using the 2 screws provided by the rough-in.
5. Make sure to secure the two mounting blocks to the floor.

