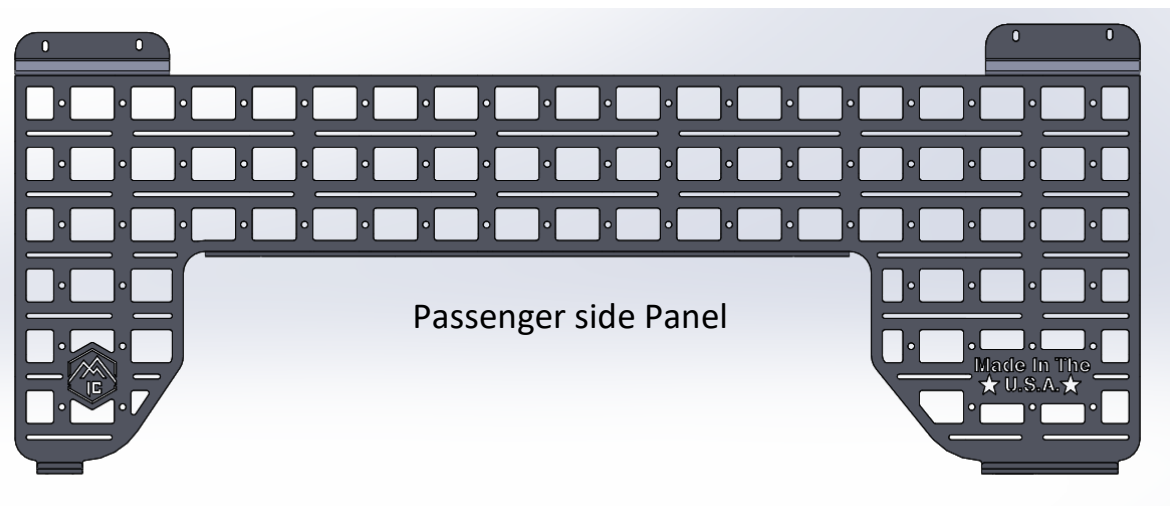
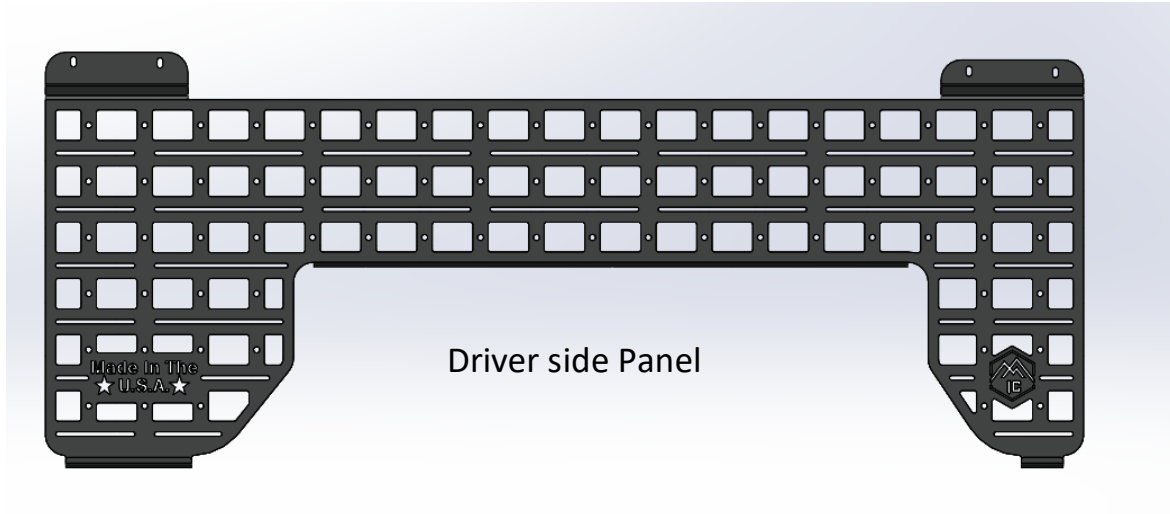




Icky Concepts 2012-2021 Ram 2500-3500 6'4" bedside mole panel installation.



**Kit Includes:**

Qty: (1) - Icky Concepts Driver or passenger side panel (depending on what you ordered)

Qty: (1) - ¼-20 thread rivet nut installation tool

Qty: (6) - Button Head Hex Drive Screws (Black-Oxide 18-8 Stainless Steel, 1/4"-20 Thread, 1" Long)

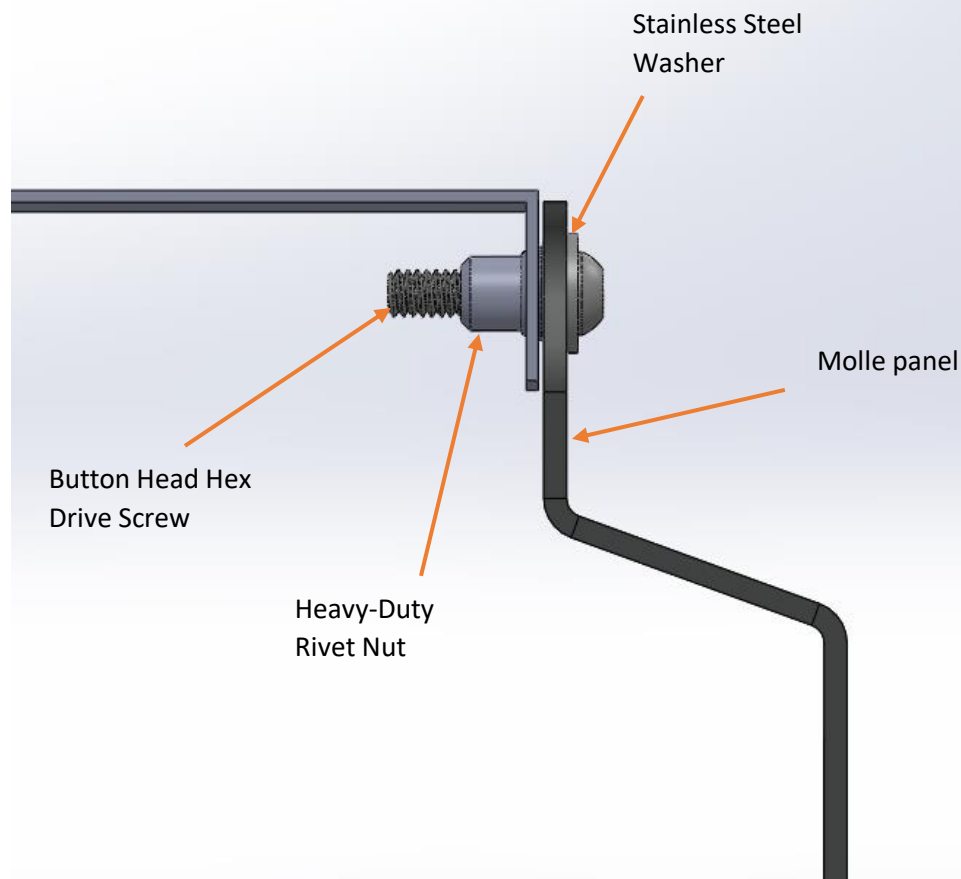
Qty: (6) - Black-Oxide 18-8 Stainless Steel Washer (for 1/4" Screw Size, 0.281" ID, 0.625" OD)

Qty: (8) - Zinc-Plated Steel Heavy-Duty Rivet Nut Open End, 1/4"-20 Interior Thread, .027"-.165" Material Thickness.

Tools Required: drill, 25/64 drill bit, 5/32 Allen wrench, 7/16 box end wrench, adjustable wrench, rivet nut installation tool (included).

Contact: [josh@ickyconcepts.com](mailto:josh@ickyconcepts.com)

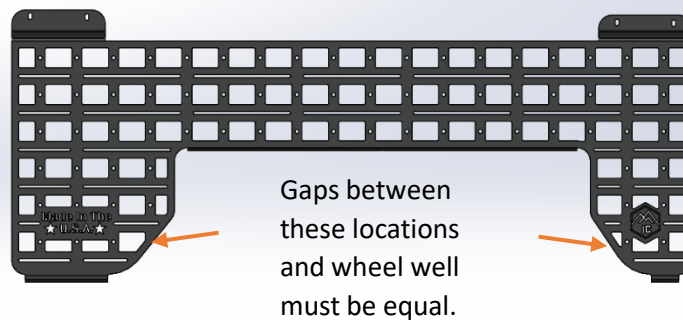
Post pictures of your panel and tag @icky\_concepts\_llc



Above is a picture of a fixture assembly after installation into the bed rail flange.

Following are step by step instructions for installation.

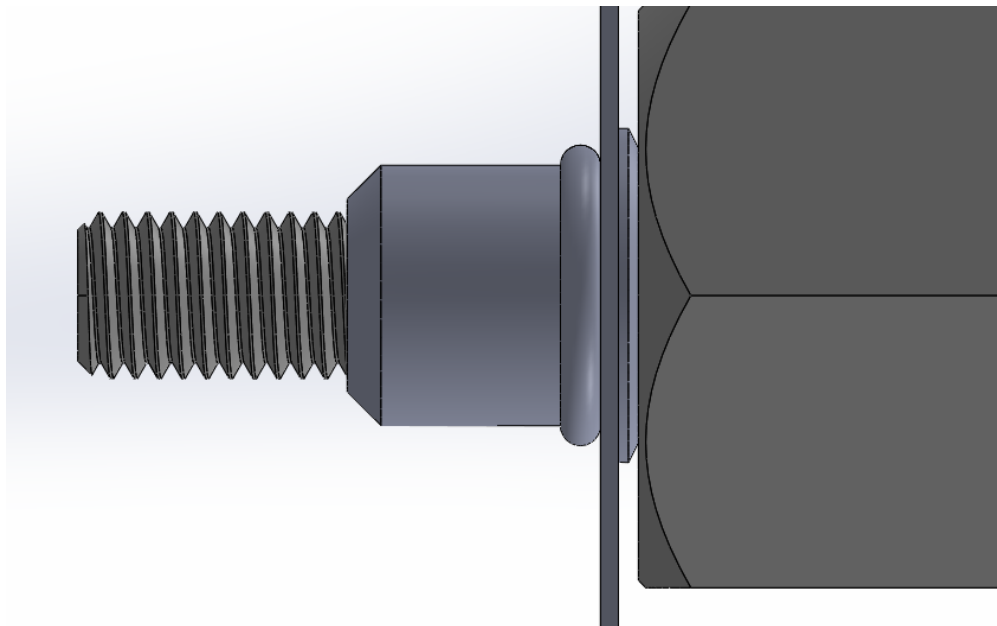
1. Mockup the panel in your truck bed. Ensure that the gaps between the panel and the wheel well on either side of the panel are equal as you are looking at the panel straight on. About 1/8<sup>th</sup> inch.



2. Ensure that panel is vertically level as much as possible.
3. Mark hole locations on bed rail flange using either a small drill bit or center punch. Mark in the center of the slots on the panel flanges. (as shown below)

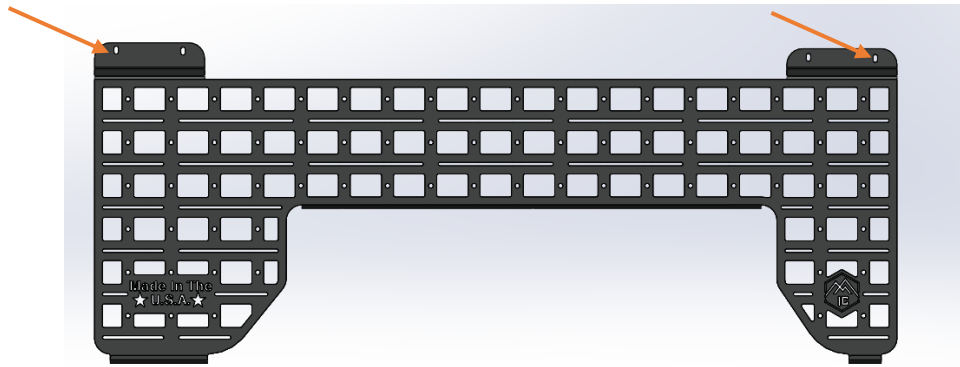


4. Drill through plastic bed rail cover and bed rail sheet metal with increasing drill sized until you can drill a hole with a **25/64<sup>th</sup> drill bit**. This size drill bit is critical for the proper installation of the rivet nuts.
5. Prepare rivet nut and rivet nut tool.
  - a. Make sure ¼-20 rivet nut stud is in the rivet nut tool. (it is the only one the rivet nut will thread into)
  - b. Thread rivet nut all the way onto rivet nut tool.
  - c. Pry back plastic bed rail liner enough to fit rivet into 23/64 hole in the bed rail sheet metal. The rivet nut **cannot** be installed onto bed rail cover plastic.
  - d. While pressing the rivet into the bed rail. Turn top portion of rivet nut tool while keeping bottom portion stationary.
  - e. Turn top portion of wrench by hand until rivet nut has compressed.

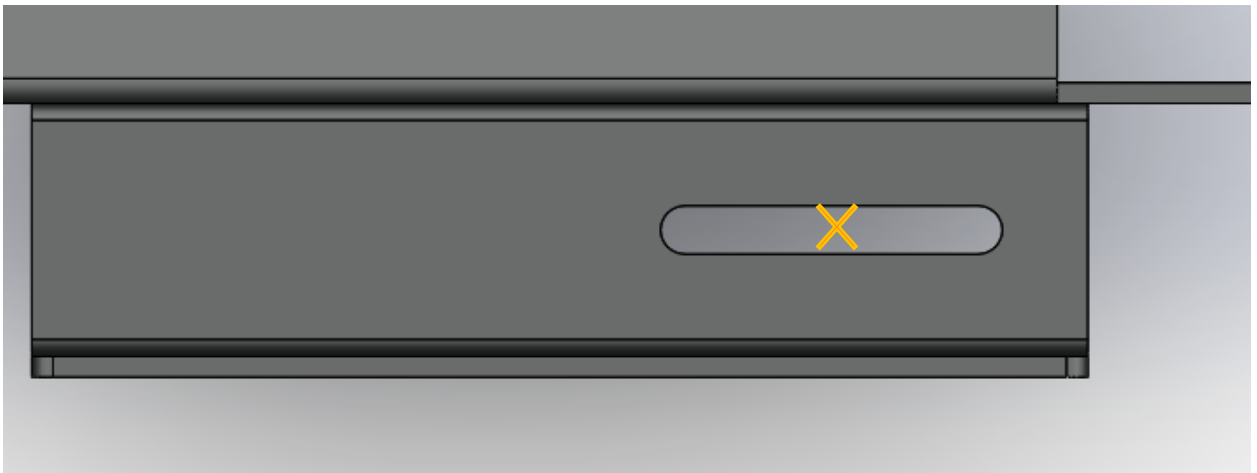


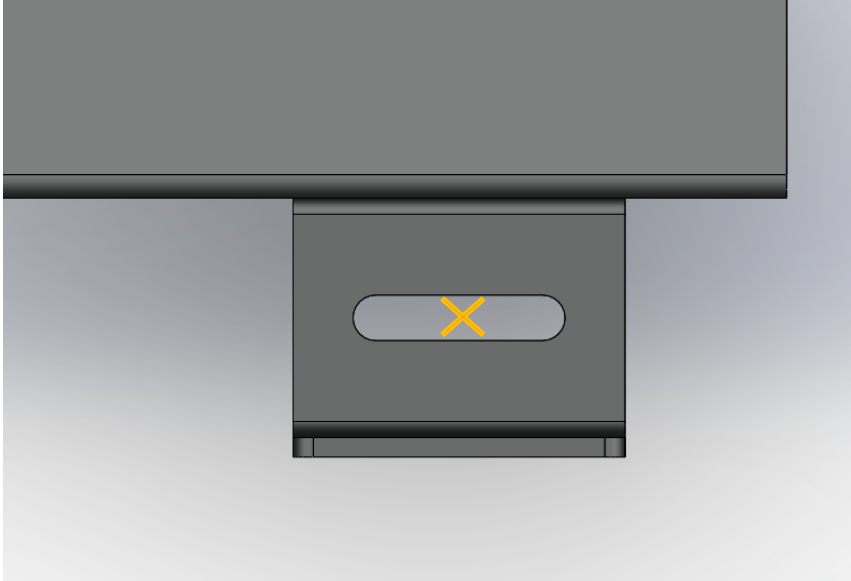


6. Repeat step 5 for remaining 3 holes in the bed rail flange.
7. Secure panel to bed flange with the bolts on the far ends of the panel.



8. With panel secured. Mark holes in truck bed with a small drill bit or center punch. In locations shown below.





9. Remove panel.
10. Drill through truck bed with increasing drill sized until you can drill a hole with a **25/64<sup>th</sup> drill bit**. This size drill bit is critical for the proper installation of the rivet nuts.
11. Repeat step 5 to install rivet nuts into truck bed.
12. Install molle panel with the 4 top bolts first. (blue Loctite is recommended)
13. Install two bottom bolts (**blue Loctite is recommended**)
  - a. Note: Panel will be slightly away from truck bed surface, this is a design feature. When panel is secured to truck bed. The truck bed side with be more rigid and capable of more off-road abuse without damage or warping.
14. Enjoy your New Icky Concepts Bed side molle panel!