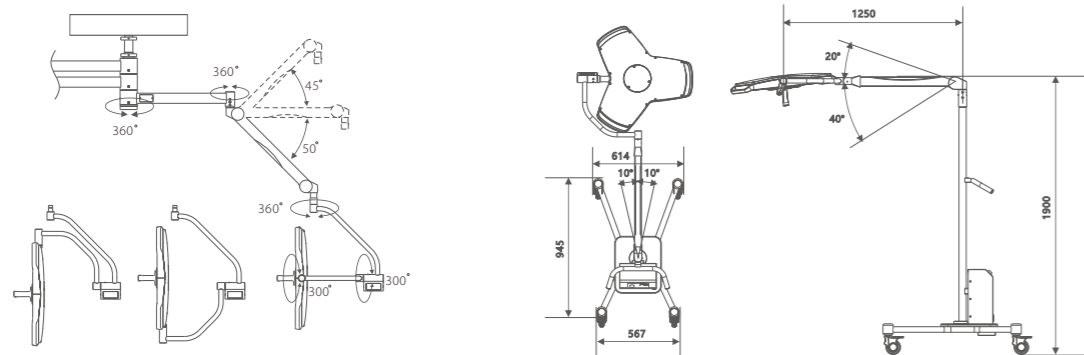


## Technical Specifications

	HyLED 8600/8600M
Central illuminance (at 1m distance)	160,000 lux
Light field diameter(at 1m distance)	180-280mm
Depth of illumination (20%)	1,200mm
Color Temperature *	Standard: 4,350K Variable CCT: 3,000-5,000K*
Color rendering index(Ra)	96
Color rendering index(R9)	97
Shadow dilution with tube	100%
Shadow dilution with one mask	55%
Shadow dilution with tube and one mask	50%
Shadow dilution with two masks	50%
Shadow dilution with tube and two masks	45%
Ambient illumination	8,000 lux
Service life of bulb	≥60,000h
Max. power consumption of all light sources	80w
Power supply	100VAC-240VAC, 50/60Hz
Automatic illumination control system	No
Number of LED Bulbs	51
Dimming Range	5-100%
Light Head Dimension	670mm
Integrated Camera	Optional/No

\* Five ranks for variable color temperature 3,000/3,500/4,000/4,350/5,000K.



## HyLED 8 Series LED Surgical Lights



Mindray Building, Keji 12th Road South,  
High-tech Industrial Park, Nanshan, Shenzhen 518057, P.R. China  
Tel: +86 755 8188 8998 Fax: +86 755 26582680  
E-mail: intl-market@mindray.com www.mindray.com

**mindray** is a trademark of Shenzhen Mindray Bio-Medical Electronics Co., Ltd. Please refer to user manual for manufacturer information  
©2014 Shenzhen Mindray Bio-Medical Electronics Co., Ltd. All rights reserved. Specifications subject to changes without prior notice.  
P/N:ENG-HyLED 8 Series-210285x12-20170617

**mindray**

**mindray**  
healthcare within reach



# HyLED 8 Series

A Versatile Partner for Surgeons

With recognizing requirements of the healthcare, and continuing focus on the efficient clinical workflow, the latest medical technology is always demanded from the patients and hospital.

Mindray is dedicated to an innovative solution with a new generation of LED surgical light-HyLED 8 Series for the operating room environment of the future.

- Premium Illumination Performance
- Unique Electrical Light Field Adjustment
- Variable Color Temperature
- Ergonomic and Compact Design
- Innovative HD Camera System





# HyLED 8 Series

A Versatile Partner for Surgeons

## Premium Illumination Performance



Each LED unit has a separated circuit and therefore can be replaced individually, ensuring low maintenance cost.

Suitable for various surgeries with a maximum light intensity of 160,000 lux.

Reliable color and improved contrasts with a color rendering index up to Ra 96.



Several functions can be adjusted electronically on the touch screen panel (optional)

- Switch on/off
- Illumination intensity (20 levels)
- Light field diameter
- Color temperature (3,000-5,000K, 5 ranks)
- Ambient mode for endoscopy
- Camera control



Each latest generation LED illuminates far longer than traditional light sources.

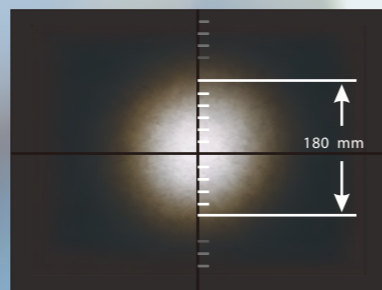
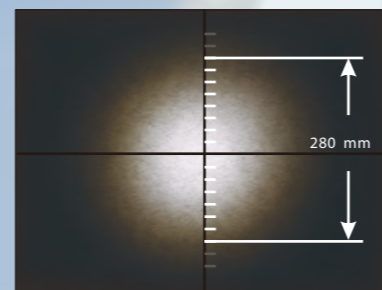
## Unique Electrical Light Field Adjustment

Mindray adopts optical lens technology that uniformly distributes the emitted light.

Each lens unit in the light head generates its own homogenous light beam and light patch. This results in excellent illumination with a maximum light intensity of 160,000 lux, providing a light with uniform illumination across the entire surgical light field.

HyLED 8 Series uses the unique electrical control pattern to adjust the light field diameter: increase or decrease the quantity of the lighted bulbs.

The light field diameter may be adjusted from 180 to 280mm for various size operating fields. This large diameter combined with the double light head ensures the HyLED 8 Series provides you with choice and helps assist multiple surgical needs.

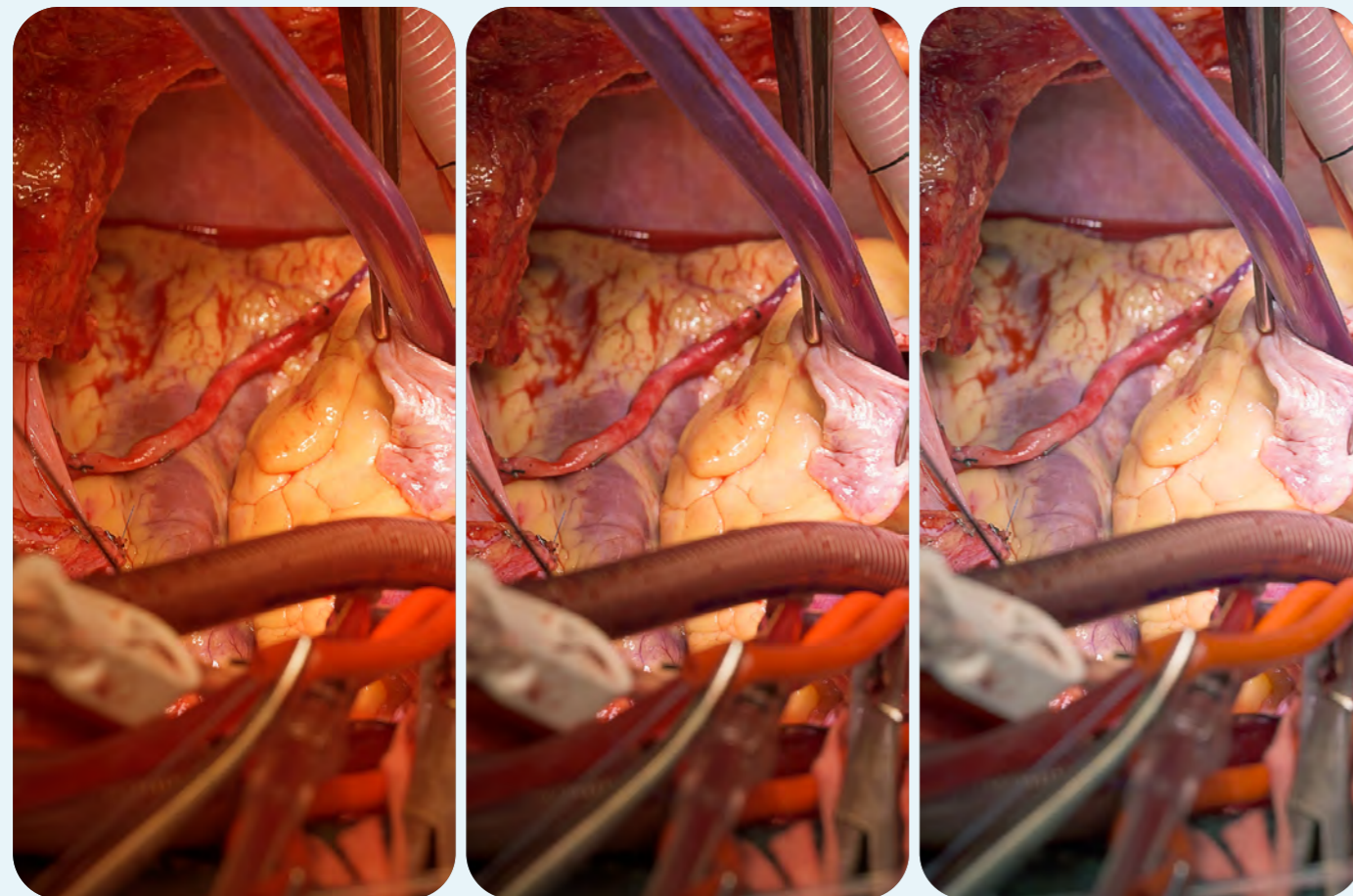




## Variable Color Temperature

The HyLED 8 light provides a light column with either a fixed daylight-like color temperature - 4,350K, or a color temperature variable from 3,000 - 5,000K. This function is helpful to distinguish the difference between various tissue types and the perception of true tissue colors, which is used especially within cardiac surgery.

Mindray offers a special light source system with a uniform mixed light of cool white LEDs and warm white LEDs to realize the color temperature adjustment. The light colors within the surgical area will not be affected or produce a "Rainbow effect" when surgeons block some of the light source during surgery.



3,000k

4,350k

5,000k







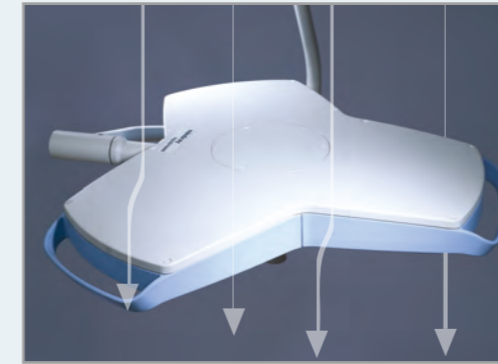
## HyLED 8 Series

A Versatile Partner for Surgeons

### Ergonomic and Compact Design

Perfectly Integrated Into Laminar Flow

Owing to the "Triangular" shape light head design, smooth finish and small air flow contact surfaces, HyLED 8 Series generates minimized turbulence, helping to optimize operating conditions and satisfy clinical hygiene requirements.



*Certified per DIN 1946 Part 4, 2008.*

### Easy and Intuitive Operation



HyLED 8 Series, the versatile partner guaranteeing reliable usability:

- Perfect compatibility of multiple light heads.
- Easy positioning with detachable sterilized central control handle and three grip around the light head.
- Fast and simple operation with normal or touch control panel.

### Innovative HD Camera System

The innovative HD system integrates with the surgical light to provide an excellent platform for medical research purposes, teaching communication and video documentation.



Digital video recorder



Carrier arm camera



Integrated HD camera allows 330° rotation





## Mindray OR Total Solution

The advanced and reliable features of Mindray technology are customized to match your needs and provide total support.

### HyLED 8600M

Mobile LED Surgical Light

HyLED 8600M offers a surgical light solution for emergency, minor surgery, examination treatment rooms and operating rooms:

#### Maximum flexibility

With the ultra-agile mobile base, four castors locking system and ergonomic handle design, HyLED 8600M goes where you need with excellent performance.

#### Reliable battery

Power module supply can support up to 3 hours (normal state).

