



Flexible and Simple Handling

The following features can be operated electronically using the control panel in the light head:

- On/off switching
- Ambient mode
- 10-step brightness control



HyLED 600M

Mobile LED Surgical Light

HyLED 600M offers a surgical light solution for emergency OR and minor surgery:

Maximum flexibility

With the ultra-agile mobile base, four castors locking system and ergonomic handle design, HyLED 600M goes where you need with excellent performance.

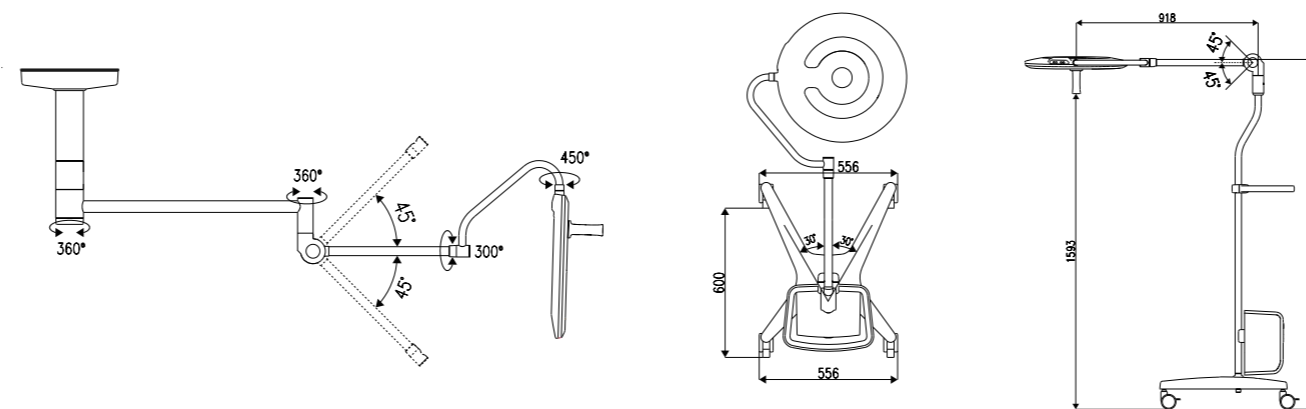
Reliable battery

Power module supply can support up to 10 hours (normal state).



Technical Specifications

	HyLED 600/600M
Central illuminance (at 1m distance)	130,000lux
Boost function	160,000lux
Light field diameter(at 1m distance)	220mm
Depth of illumination (20%)	1,200mm
Depth of illumination (60%)	600mm
Color temperature	4,350K
Color rendering index (Ra)	96
Color rendering index (R9)	96
Service life of bulb	≥60,000h
Dimming range	5-100%
Light head dimension	540mm
Number of LED bulbs	18
Max. power consumption of all light sources	65w



Mindray Building, Keji 12th Road South,
High-tech Industrial Park, Nanshan, Shenzhen 518057, P.R. China
Tel: +86 755 8188 8998 Fax: +86 755 26582680
E-mail: intl-market@mindray.com www.mindray.com

mindray | **mindray** and **mindray** are registered trademarks or trademarks owned by Shenzhen Mindray Bio-medical Electronics Co., LTD.
© 2014 Shenzhen Mindray Bio-Medical Electronics Co., Ltd. All rights reserved. Specifications subject to changes without prior notice.
P/N:ENG- HyLED600-210285x6P-20160617

mindray



HyLED 600 NEW LED Surgical Light



mindray
healthcare within reach

HyLED 600

LED Surgical Light



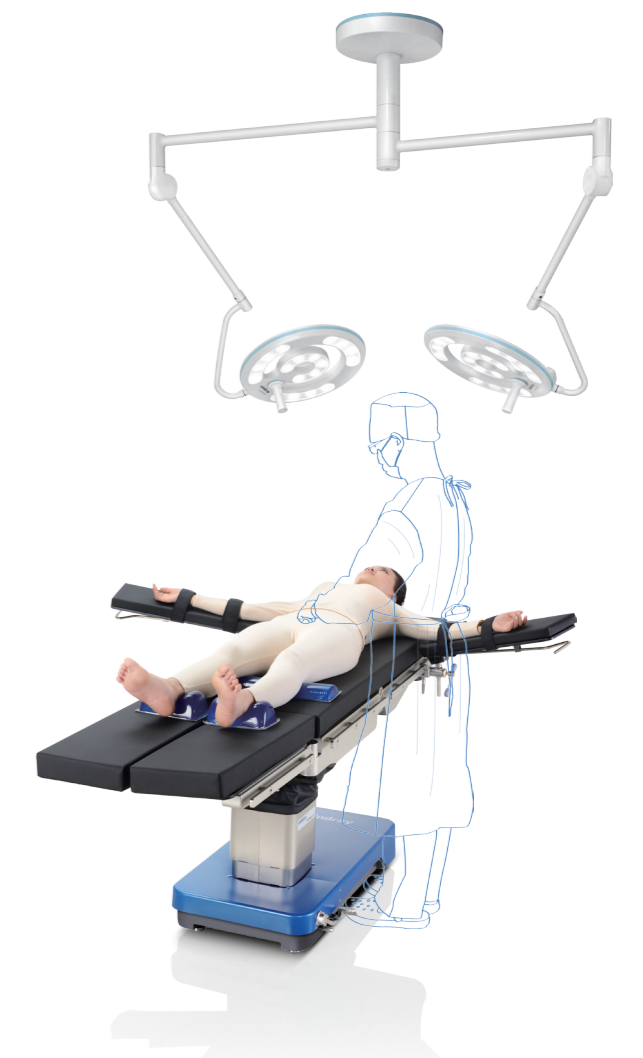
Plastic surgery

- 22cm light field diameter for superficial operation
- Dual light head supporting chin and brow surgery simultaneously




General surgery

- 130,000 lux intensity with 1200mm depth
- Better tissue differentiation with color rendering index(Ra & R9)at 96



Endoscopic surgery

- Ambient mode through separate control key 
- Slim & compact design for laminar flow concern



Obstetrics and Gynaecology

- Easy light head positioning for the doctor while sitting or standing
- Better shadow dilution 50% with tube and two masks for vagina & NOTE surgery

