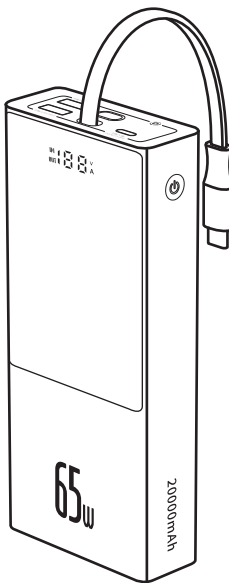


Baseus倍思



倍思 精灵带线数显快充移动电源 20000mAh 65W

使用说明书

使用产品前请仔细阅读本使用说明书,并妥善保管

一、产品参数

品牌: 倍思
名称: 移动电源
型号: PPLJ65C
电芯: 聚合物锂电池
电池容量: 5000mAh/14.8V/74Wh (20000mAh/3.7V)
额定容量: 12000mAh (5V-3A)
能量转换率: >=75%

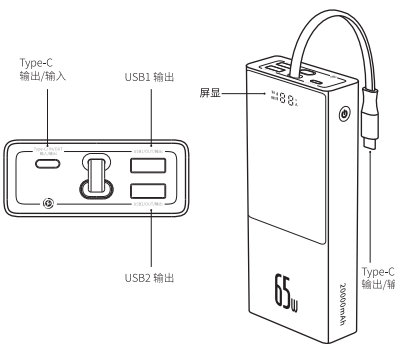
Type-C/Type-C 线输入: 5V/9V/12V/15V-3A, 20V-3.25A
Type-C/Type-C 线输出: 5V/9V/12V/15V-3A, 20V-3.25A
USB1/USB2输出: 4.5V-5A (SCP), 5V-4.5A (SCP), 5V/9V-3A, 12V-2.5A
Type-C+Type-C 线输出: 20W+45W
USB1+USB2输出: 5V-3A
Type-C/Type-C 线+USB1/USB2输出: 45W+18W
Type-C+Type-C 线+USB1/USB2输出: 20W+30W+15W
Type-C+Type-C 线+(USB1+USB2) 输出: 20W+30W+15W
总5V输出: 5V-9A
尺寸: 152.4*68*28.3mm
重量: 约420g

*以上数据来源Baseus(倍思)实验室测定值,但因客观环境改变数据会有所不同或误差。

二、包装内容

- 移动电源 *1
- 说明书 *1
- 保修卡 *1

三、产品线框图



1

四、产品描述

本产品是一款自带Type-C线可输入输出的大功率数显快充移动电源,产品具有Type-C线双向65W快充,兼容苹果PD快充,华为SCP 22.5W超级快充,三星AFC, QC3.0, FCP, PE等多种快充协议,支持双输入四输出,可同时为4台设备充电,具有电量、电压、电流数显等特点,内置过流、过压、过温、短路保护等多重安全保护电路,能为大多数笔记本电脑及手机进行快充。

五、产品使用说明

5.1 精灵带线数显快充移动电源为笔记本电脑或其它数码设备充电

- 检查数码产品的充电电压是否与精灵带线数显快充移动电源的输出电压匹配。
- 选择数码产品的原装充电线,一端与数码产品连接,另一端与精灵带线数显快充移动电源的输出口连接,精灵带线数显快充移动电源将自动开启给数码产品充电,电量指示灯常亮。

5.2 用充电器给精灵带线数显快充移动电源充电

- 选择Type-C接口的充电线与精灵带线数显快充移动电源的Type-C的输入端口连接。
- 将充电线与充电器连接,LED电量指示灯开始闪烁,表示正在为精灵带线数显快充移动电源充电,充满后LED灯常亮。(为了更好的充电体验,建议搭配倍思65W以上或更大功率充电器使用)

六、使用环境

使用环境温度: 0°C至35°C以下非热带地区
储存环境温度: 0°C至40°C。

七、图标说明

5年图标指“环保有效使用期限”,不是产品质量保证期限,电子产品均含有铅、汞、镉等有毒有害物质,一旦超期使用,有毒有害物质将可能因为发生外泄或突变,对环境造成污染,或对人体、财产造成严重损害。“环保使用期限”,意味着所有的电子产品都将要求在此有效期限内使用,超过安全使用年限之后出现的安全风险问题,我们不再对产品质量负责。

八、安全警示说明

在使用本产品前请阅读所有的指示和警告,不规范使用将会给产品或人身安全带来损害。

- 移动电源存在转化效率,故移动电源电池容量不等于可充电量。
- 需要查看电量时,按一下电源键,LED指示灯亮起显示当前电量,无连接状态下,约30秒后电源会自动休眠。
- 请定期为您的电源充电(建议至少每5个月一次),可维持其长久的使用寿命。
- 产品使用不当,容易造成产品本身或者可能危及人身安全。
- 如因消费者违反产品说明书不当使用或警示,造成的人身及财产损失将自行承担一切后果,本公司将不承担任何法律责任。
- 非专业人士严禁拆解本产品。
- 避免使用超出本产品输出电流的用电器或负载(电路会保护,无输出)。
- 避免强烈的物理作用,包括敲击、投掷、践踏、挤压等。


2

九、电子信息产品有毒有害物质声明

部件名称	有毒有害物质或元素 ①					
	铅 (Pb)	汞 (Hg)	镉 (Cd)	六价铬 (Cr-VI)	多溴联苯 (PBB)	多溴二苯醚 (PBDE)
PCB	X	○	○	○	○	○
电极	○	○	○	○	○	○
电池	X	○	○	○	○	○
外壳	○	○	○	○	○	○

本表格依据SJ/T 11364的规定编制。
○:表示该有毒有害物质在该部件所有均质材料中的含量均在GB/T 26572标准规定的限量要求以下。
X:表示有毒有害物质至少在该部件某一均质材料中的含量超过GB/T 26572标准规定的限量要求。

3



警告: 请遵守以上安全说明否则会导致起火、触电、损坏或其他伤害

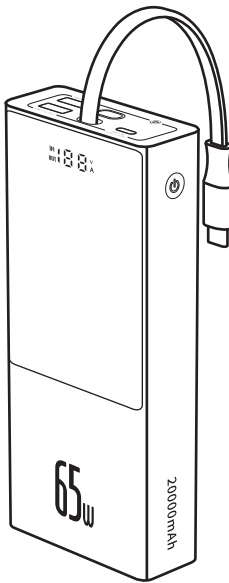
品牌名: Baseus倍思
公司: 深圳市时商创展科技有限公司
地址: 深圳市龙岗区坂田街道鹤头社区雪岗路2008号倍思智能园B栋五层
执行标准: GB/T 35590-2017
热线: 4000-712-711 网址: www.baseus.com



PB3141Z
倍思设计/Designed by Baseus
中国制造/Made in China

4

Baseus



Baseus Elf Digital Display Fast Charge Power Bank 20000mAh 65W

User Manual

Please read this user manual carefully before use and keep it properly

1. Product Parameter

Name: Power Bank
Model No.: PPLJ65C
Battery: Lithium-ion polymer battery
Capacity: 5000mAh/14.8V/74Wh(20000mAh/3.7V)
Rated capacity: 12000mAh (5-3A)
Energy conversion rate: >=75%

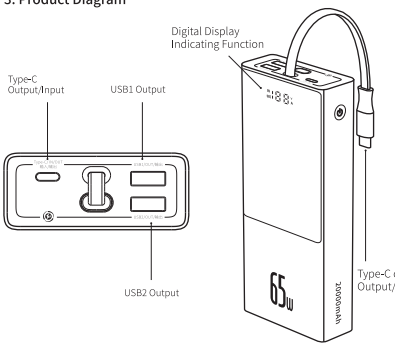
Type-C/Type-C cable input: 5V/9V/12V/15V-3A, 20V-3.25A
Type-C/Type-C cable output: 5V/9V/12V/15V-3A, 20V-3.25A
USB1/USB2 output: 4.5V-5A (SCP), 5V-4.5A (SCP), 5V/9V-3A, 12V-2.5A
Type-C+Type-C cable output: 20W+45W
USB1+USB2 output: 5V-3A
Type-C/Type-C cable +USB1/USB2 output: 45W+18W
Type-C+Type-C cable +USB1/USB2 output: 20W+30W+15W
Type-C+Type-C cable +(USB1+USB2) output: 20W+30W+15W
Total 5V output: 5V-9A
Size: 152.4*68*28.3mm
weight: About 420g

*The above data are measured by the Baseus laboratory, the actual use will be slightly different depending on the specific circumstances

2. Packing List

- Power Bank *1
- User Manual *1
- Warranty Card *1

3. Product Diagram



1

4. Product Description

This product is a high-power digital display fast charging mobile power supply with Type-C cable input and output. It has Type-C cable bidirectional 65W fast charging, compatible with Apple PD fast charging, Huawei SCP 22.5W super fast charging, Samsung AFC, QC3.0, FCP, PE and other fast charging protocols, dual input and four output, and can charge four devices at the same time. The product has the characteristics of power, voltage, current, digital display, built-in over-current, over voltage, over temperature, short circuit protection and other multiple safety protection circuit can charge most laptops and mobile phones more quickly.

5. Instructions for the use of products

5.1 Elf digital display fast charging power bank charges laptop or other digital devices

- Check whether the charging voltage of the digital product matches the output voltage of the elf digital display fast charging power bank.
- Select the original charging cable of the digital product, one end is connected with the digital product, and the other end is connected with the output port of the elf digital display fast charging power bank. The elf digital display fast charging power bank will automatically turn on to charge the digital product, and the power indicator is always on.

5.2 Charging the Elf digital display fast charging power bank with charger

- Select the charging cable of Type-C interface to connect with the input port of Type-C of elf digital display fast charging power bank.
- Connect the charging line with the charger, and the LED power indicator starts to flash, indicating that the elf digital display fast charging mobile power supply is charging, and the LED light is always on after it is fully charged (For a better charging experience, it is recommended to use it with Baseus 65W or higher power charger.)

6. Use environment

Use ambient temperature: non-tropical area below 0°C to 35°C
Storage ambient temperature: 0°C to 40°C degrees Celsius

7. Icon description

The 5-year icon refers to the "valid environment-friendly use period", not the product quality assurance period. Electronic products contain toxic and harmful substances such as lead, mercury and cadmium. The overuse of these products may lead to leakage or mutation of these toxic and harmful substances, and cause environment pollution or serious damage to people and property. The term of "environment-friendly use period" means that all electronic products shall be used within this validity period. We are free of any responsibility against safety issues caused by using the product beyond its safe service life.

2

8. Safety Warning Instructions

Please read all instructions and warnings before using this product. Non-standard use will damage the product or personal safety.

- Due to the existence of conversion efficiency, so rated output capacity is less than battery capacity .
- When you need to check the current, press the power button once and the LED indicator lights up to show the current power. In the connectionless state, the power will automatically sleep after about 30 seconds.
- Please charge your power bank periodically (at least one time with 5 months recommended) in order to maintain its long service life.
- Improper use of the product can easily cause damage to the product or may endanger personal and property safety.
- Consumer shall be liable for any personal and property damage resulted from their improper use against the user manual or ignoring the warning, to which our company will not bear any legal liability.
- Disintegration of this product by non-professionals is strictly prohibited.
- Use of household appliances or loads in excess of the output current of this product shall be avoided (no output due to circuit protection).
- Intense physical actions including knocking, throwing, trampling on and squeezing, etc. shall be avoided.

9. Statement on Toxic and Hazardous Substances in Electronic Information Products

Part Description	Toxic or hazardous substances and elements ①					
	Lead (Pb)	Mercury (Hg)	Cadmium (Cd)	Hexavalent chromium (Cr-VI)	Polybrominated biphenyls (PBB)	Polybrominated diphenyl ethers (PBDE)
PCB	X	○	○	○	○	○
Electrode	○	○	○	○	○	○
Battery	X	○	○	○	○	○
Casing	○	○	○	○	○	○

This form is compiled in accordance with SJ/T 11364.
○: Indicates that contents of the toxic and hazardous substances in all homogeneous materials are below the limit requirements specified by GB/T 26572 standard.
X: Indicates that contents of the toxic and hazardous substances exceed the limit requirements specified by GB/T 26572 standard in at least one homogeneous material of the component.


3

This device complies with part 15 of the FCC Rules. Operation is subject to the following two conditions: (1) this device may not cause harmful interference, and (2) this device must accept any interference received, including interference that may cause undesired operation.

Any changes or modifications not expressly approved by the party responsible for compliance could void the user's authority to operate the equipment.


NOTE: This equipment has been tested and found to comply with the limits for a Class B digital device, pursuant to Part 15 of the FCC Rules. These limits are designed to provide reasonable protection against harmful interference in a residential installation. This equipment generates, uses and can radiate radio frequency energy and, if not installed and used in accordance with the instructions, may cause harmful interference to radio or television reception, which can be determined by turning the equipment off and on, the user is encouraged to try to correct the interference by one or more of the following measures:

- Reorient or relocate the receiving antenna.
- Increase the separation between the equipment and receiver.
- Connect the equipment into an outlet on a circuit different from that to which the receiver is connected.
- Consult the dealer or an experienced radio/TV technician for help.



Warning: Please follow the above safety instructions otherwise it will cause fire/electric shock, damage or other damage

Shenzhen Times Innovation Technology Co., Ltd.
Add: 5th Floor, Building B, Baseus Intelligence Park, No.2008, Xuegang Rd, Gangtuo Community, Bantian Street, Longgang District, Shenzhen
Executive Standard: GB/T 35590-2017
Hotline: +86-400-712-711 Website: www.baseus.com



PB3141Z
Designed by Baseus
Made in China

4