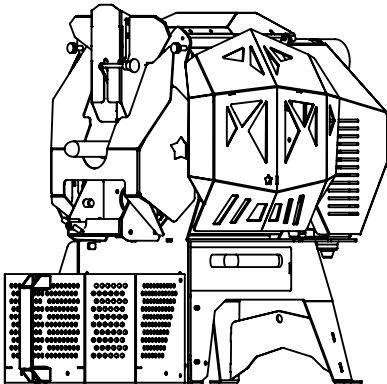


Kaleido® SNIPER M10

Instruction manual

Straight fire coffee bean roaster



Catalog

Safety Alert ----- Prohibited, Mandatory, Precautions -----	2
Performance parameter table -----	3
Installation instructions -----	4
Install the heat shield -----	4
Product Overview -----	5
Maintenance and replacement parts -----	5

Thank you very much for purchasing Kaleido products.

- Please read this manual carefully to ensure the correct and safe use of this product.
- Please carefully read the "Important Notes" and "Safety Warnings" (Page 2-3) before use.
- Please keep this manual properly for future use.
- Kaleido will not be responsible for improper operation of this product or failure to follow the relevant instructions.

**Warranty certificate
attached separately**

Important note:

The following problems will occur due to the inevitable falling of articles during transportation:

Please be sure to confirm receipt after unpacking inspection. If the shell is bumped, contact customer service to send a new shell. (If the paint is knocked off in special parts, contact the customer service to replace the machine)

When the machine is received, the heating pipe does not work in two cases:

1. The heating tube glass tube is broken due to the vibration during logistics transportation, and the heating tube cannot work.
2. The heating wire is broken due to vibration during logistics transportation, and the heating pipe cannot work after 1-3 times of using the machine.

● In case of the above situation, our company promises to send a new heating tube and a replacement video to Shunfeng Bao. Replacing the heating tube is very simple.



warning

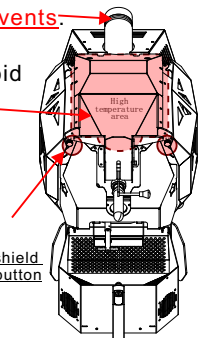
To ensure the safety of use and avoid injury and property damage to you and others



- Safety warnings must be learned. It is forbidden for non learners to operate the baking machine. Children should stay away from the baking machine.
- Do not open the rear cover plate when power is on. Non professionals shall not carry out live maintenance. When replacing accessories, unplug the power plug before opening the rear cover plate. Only after the replacement is completed can the machine be plugged in and tested.
- Over roasting of coffee beans is prohibited.
- Do not wet the power socket with water.
- Please do not leave during roasting! Avoid excessive heating and burning of coffee beans due to no supervision.
- **When heating, the bean bin must be stirred**, otherwise the bean bin will be deformed due to excessive heat on one side.
- The set bean temperature should not exceed **230** degrees.
- The silver peel of coffee beans collected should be cleaned in time to avoid burning due to the accumulation of silver peel.



- The device must be placed in a well-ventilated place, and no flammable materials behind. Do not cover the **exhaust vents**.
- During the baking and heating, the surface temperature of the device is high. Do not touch the surface of the device to avoid burns. **(The red area is the high temperature area)**
- after roasting is completed, **stir the bean cabin and turn on the exhaust smoke**. And turned off the roaster after temperature of the beans drops **below 50 degrees**.
- the new equipment will have some smell of the spray paint, and it will dispel after baking **2-3 times**.



Heat shield fixing button

Performance parameter table

M10 is compact, powerful and integrates with many new technologies. It is a powerful weapon for roasting coffee beans.

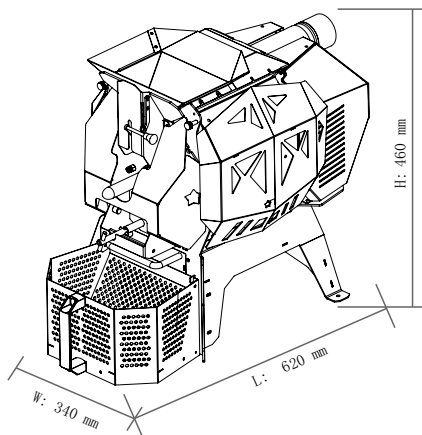
Scope of application: [sample bean roasting](#), [cup test roasting](#), [fine coffee bean roasting](#), [coffee training and teaching](#), [coffee shop self-use and sales bean roasting](#), [various coffee places, etc.](#)

Capacity description

Baking capacity / single	Design optimum capacity 300g-1000g, up to 1200g.
Baking volume per hour	Up to 4800g.
Baking degree	Extremely light baking / light baking / medium baking / Italian combination, etc., can be arbitrarily baked.
Baking time	5-15 minutes.
Suitable beans	wet coffee beans , various types of dry coffee beans, hard beans, aged beans.

Technical parameter

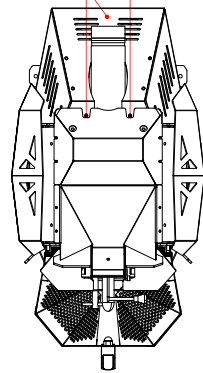
Product number	Kaleido® — SNIPER M10
Heating method	Electric heating: Imported carbon fiber infrared electric heating tube.
Heating power (adjustable)	110V~220V, heating power 800W, total equipment power 2400W.
Boiler (adjustable speed)	Patent. Stainless steel 304 boiler, adjustable boiler speed.
Heating capacity	The surface of the heating tube is instantaneously 500 degrees at once.
Air damper (adjustable)	Electronic air damper, touch screen to adjust the air volume.
Cooling	Independent cooling system, rapid cooling in 3 ~ 5 minutes.
Silver skin collection	Patent. Automatic silver skin collection system, no traditional silver skin collector.
Operation mode	Full touch screen operation. Without any industrial buttons.
Product size and weight	620 * 340 * 460 (length, width and height) Net weight: 24KG.
Safety protection	heating tube 220V, all other components 12V.
	Double safety protection: anti-leakage safety plug + internal temperature upper limit to stop heating protection.



Installation Notes

1. Unpacking the box and unscrewing the two screws of the arrow first
2. Take out bare metal
3. Then take out the cooling box.
After unpacking, the m10 does not need to be installed, just connect the touch screen and USB connector, plug it in and use it

The two screws of the back cover fixed
There is a screw at the bottom of the back cover.



Installation instructions (installation of heat shield)

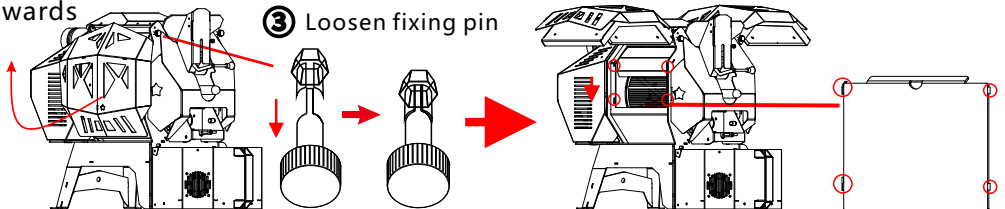
②

Then open the heat shield upwards

① Pull the fixing pin of the heat shield outward

③ Loosen fixing pin

④ Put in heat shield



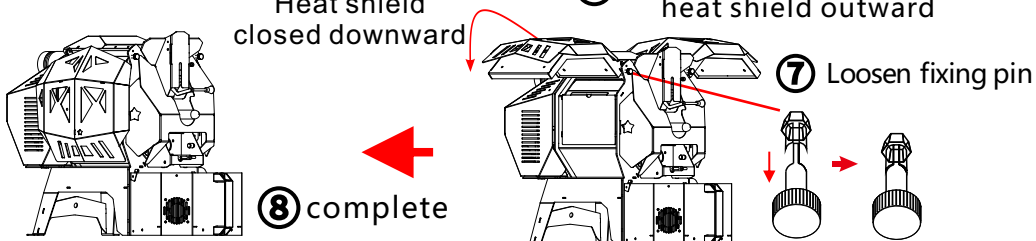
⑥

Heat shield closed downward

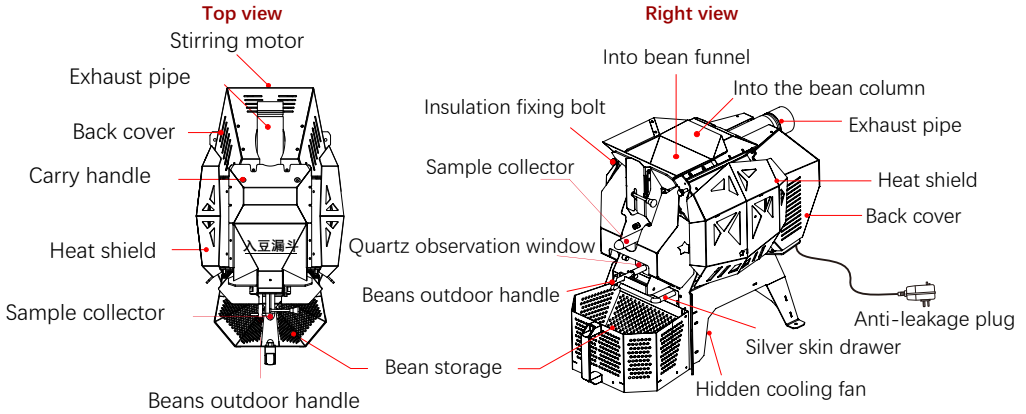
⑤ Pull the fixing pin of the heat shield outward

⑦ Loosen fixing pin

⑧ complete



Product overview

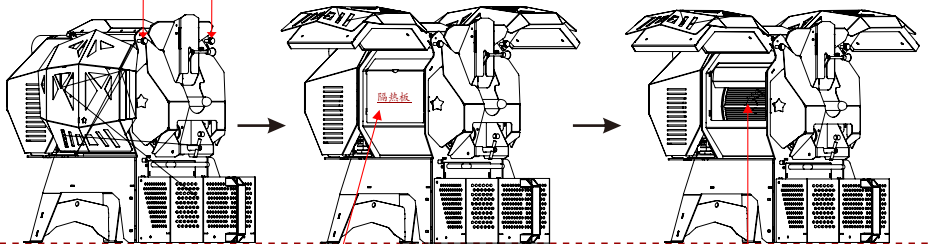


Maintenance and replacement parts

M10 is very easy and simple to maintain.

Daily maintenance: Clean the tiny silver skin and dust remaining in the boiler.
Clean deflated beans and crushed beans on the bean bin grid!

1. Pull out the **fixing pin** of the heat shield, then lift up the heat shield, and then release the **fixing pin**, the heat shield will be stuck on the **fixing pin**.



2. Remove the **heat insulation plates** on both sides
3. Use a small brush to clean the tiny silver skin and dust remaining in the boiler. Clean deflated beans and crushed beans on the bean bin grid!

Heating tube replacement:

If the heating tube reaches the service life. (5000-8000 hours life)

You can remove the two fixing screws on the back cover and take off the back cover.

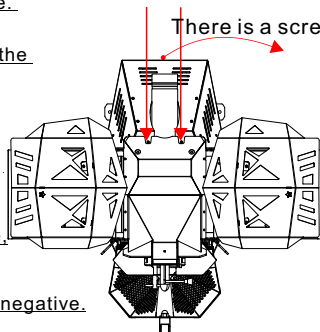
Loosen the two nuts of the heating tube, disconnect the heating tube connection

You can remove the old heating tube and install the new one.

Tighten the two nuts and connect the wire, then it is ready to use.

The heating tube wire no have positive or negative.

The two screws of the back cover fixed



Warning:

For maintenance or replacement of accessories, the plug must be unplugged before operation.