



These instructions and the images herein are proprietary. Any unauthorized reproduction is prohibited.

RSTC-STORAGE-KIT

Vanagon Reverse Spare Tire Carrier Storage Kit

INSTALLATION INSTRUCTIONS

REQUIRES GOWESTY REVERSE SPARE TIRE CARRIER

1. Remove bolts from Reverse Spare Tire Carrier.
2. Install Reverse Spare Tire Carrier Storage bracket [Fig 1].

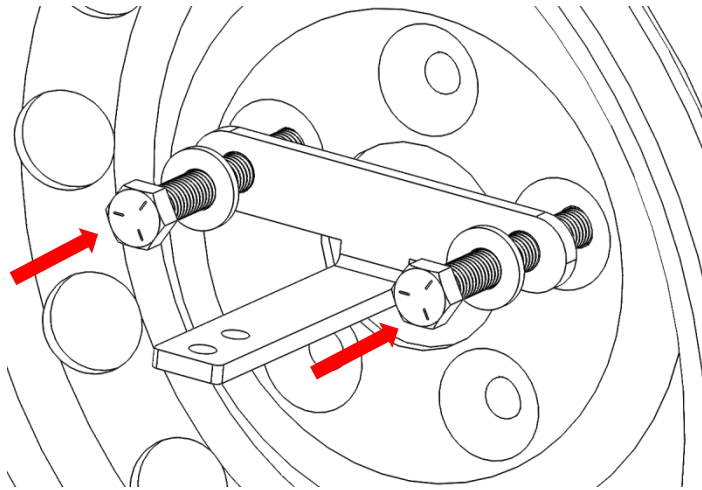


Figure 1: Mount bracket

3. Attach Reverse Spare Tire Carrier Storage slide. Leave it loose enough so you can adjust the length [Fig 2].

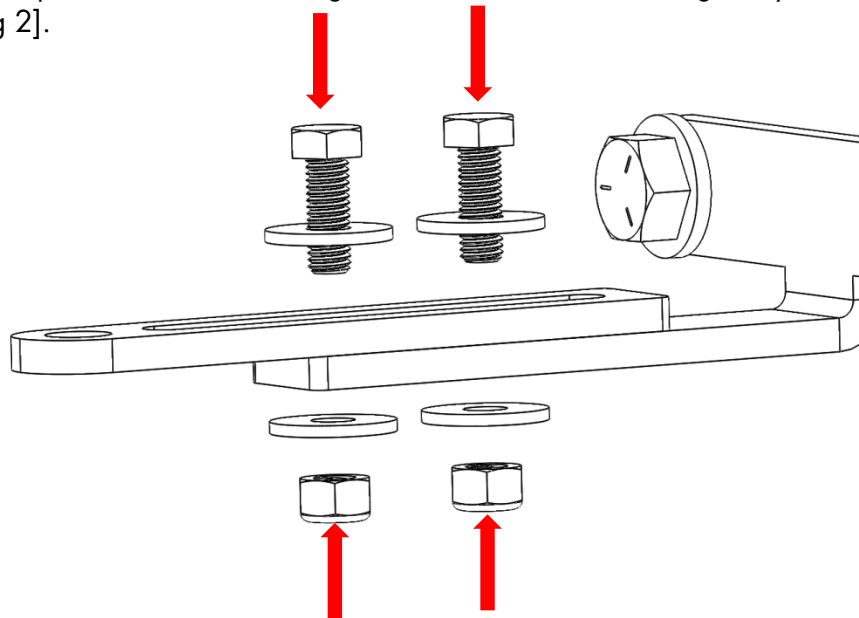


Figure 2: Mount slide



These instructions and the images herein are proprietary. Any unauthorized reproduction is prohibited.

RSTC-STORAGE-KIT

Vanagon Reverse Spare Tire Carrier Storage Kit

4. Position the disk on the end of the slide so that a little bit of the hole is visible (for the lock) [Fig 3].

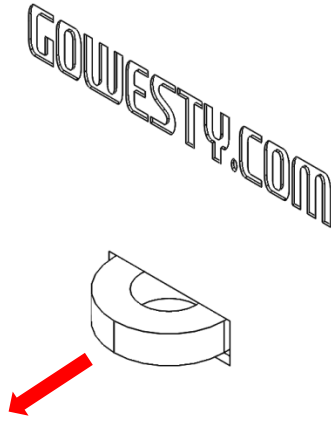


Figure 3: Position disk

5. Tighten bolts on slide.
6. Push on the center of the disk and insert the lock. The tension should hold the disk in place. If it's too loose or too tight, readjust the slide.
7. Bonus points if you get some magnetic darts and use the disk as a dart board!