



These instructions and the images herein are proprietary. Any unauthorized reproduction is prohibited.

QP-RR-RH

## ABS PLASTIC REAR QUARTER PANEL (REAR HALF) FOR VANAGON

---

*The QP-ABS-RR-RH for Vanagon is CNC-machined to fit the rear-half of the rear, interior quarter panel. Made from nearly-indestructible, 3mm thick, ABS plastic, this panel can be run as-is (they look awesome), painted with a high-quality plastic paint, or upholstered. Each panel features cutouts for the various options that your van may have (or that you may want to add) including a rear washer reservoir, Z-bed seat latch post, or arm rest. These cutouts are scribed onto the back side of the panel with easy-to-follow lines.*

See the diagram on the back of this sheet for a description of the scribed cutout lines on the back of each panel. Use an appropriately sized hole-saw, rotary tool or saw to cut the sections for your door accessory options. Each cutout may then need to be filed slightly for clearance. **Be sure to only cut the sections for your particular door accessory options. Not all recesses will need to be cut out.**

### Panel Installation:

NOTE: COMPLETE REAR SEAT REMOVAL NOT REQUIRED FOR INSTALLATION

1. Place the panel over the door, aligning the mounting hole cutouts.
2. Screw in each Panel Fastener snugly using a Phillips-head screwdriver. Slight inward pressure can be used, but forcing the clips all the way in will make the clip hard to remove.

Be careful not to over-tighten and do not push the clips in without turning them.

GoWesty Camper Products • 1119 Los Olivos Ave, Los Osos, CA 93402 • 888-469-3789 • [www.gowesty.com](http://www.gowesty.com)



These instructions and the images herein are proprietary. Any unauthorized reproduction is prohibited.

QP-RR-RH

## ABS PLASTIC REAR QUARTER PANEL (REAR HALF) FOR VANAGON

---

*The QP-ABS-RR-RH for Vanagon is CNC-machined to fit the rear-half of the rear, interior quarter panel. Made from nearly-indestructible, 3mm thick, ABS plastic, this panel can be run as-is (they look awesome), painted with a high-quality plastic paint, or upholstered. Each panel features cutouts for the various options that your van may have (or that you may want to add) including a rear washer reservoir, Z-bed seat latch post, or arm rest. These cutouts are scribed onto the back side of the panel with easy-to-follow lines.*

See the diagram on the back of this sheet for a description of the scribed cutout lines on the back of each panel. Use an appropriately sized hole-saw, rotary tool or saw to cut the sections for your door accessory options. Each cutout may then need to be filed slightly for clearance. **Be sure to only cut the sections for your particular door accessory options. Not all recesses will need to be cut out.**

### Panel Installation:

NOTE: COMPLETE REAR SEAT REMOVAL NOT REQUIRED FOR INSTALLATION

1. Place the panel over the door, aligning the mounting hole cutouts.
2. Screw in each Panel Fastener snugly using a Phillips-head screwdriver. Slight inward pressure can be used, but forcing the clips all the way in will make the clip hard to remove.

Be careful not to over-tighten and do not push the clips in without turning them.

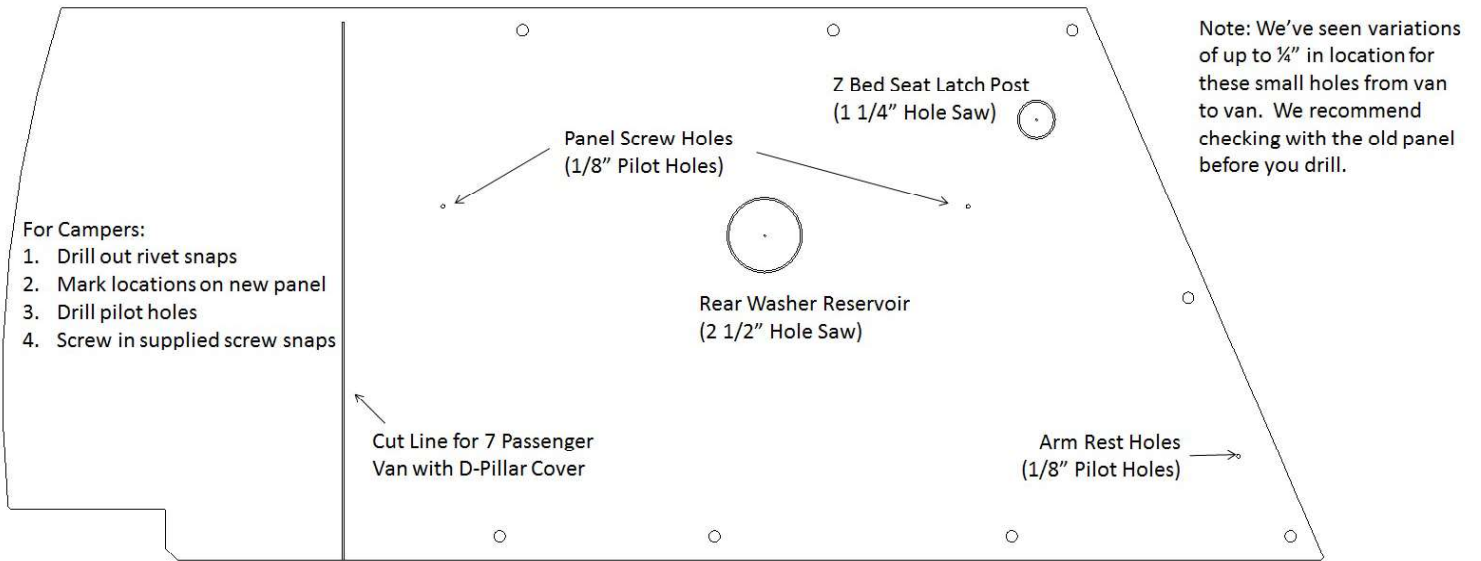
GoWesty Camper Products • 1119 Los Olivos Ave, Los Osos, CA 93402 • 888-469-3789 • [www.gowesty.com](http://www.gowesty.com)



These instructions and the images herein are proprietary. Any unauthorized reproduction is prohibited.

QP-RR-RH

## ABS PLASTIC REAR QUARTER PANEL (REAR HALF) FOR VANAGON



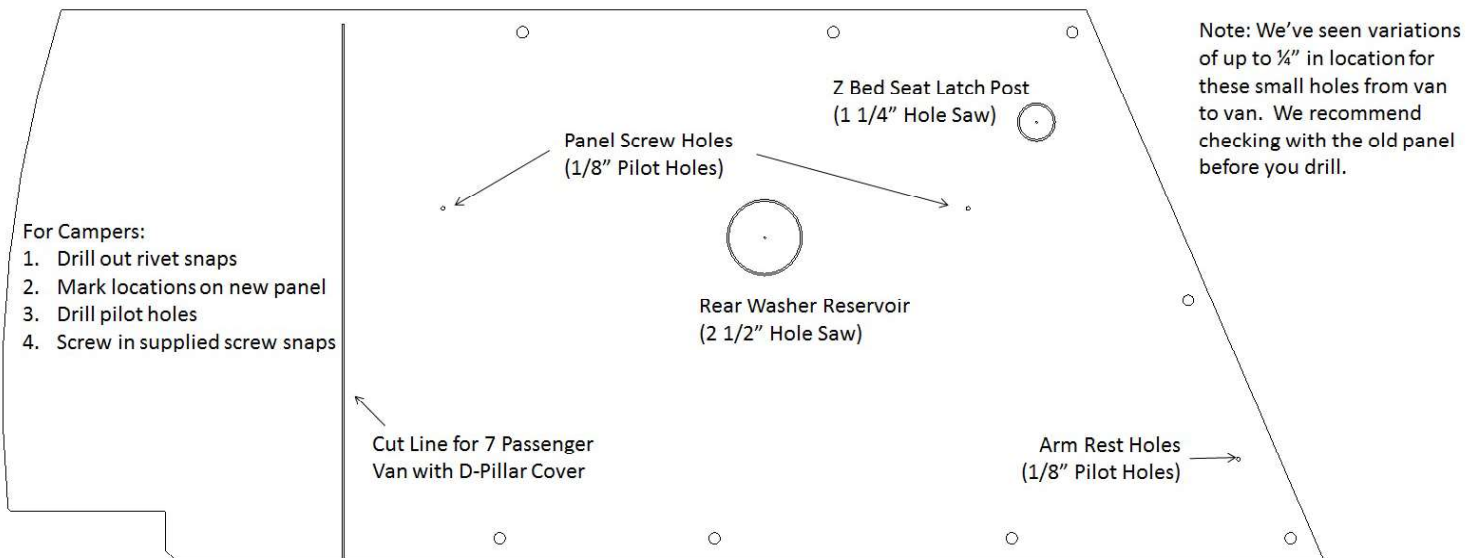
GoWesty Camper Products • 1119 Los Olivos Ave, Los Osos, CA 93402 • 888-469-3789 • www.gowesty.com



These instructions and the images herein are proprietary. Any unauthorized reproduction is prohibited.

QP-RR-RH

## ABS PLASTIC REAR QUARTER PANEL (REAR HALF) FOR VANAGON



GoWesty Camper Products • 1119 Los Olivos Ave, Los Osos, CA 93402 • 888-469-3789 • www.gowesty.com