






These instructions and the images herein are proprietary. Any unauthorized reproduction is prohibited.

GW-E-SPARE-EXT

Spare Tire Carrier Extension Brackets for 1998-2000 Eurovan

Big tires? No problem! If your 1998-2000 Eurovan came with the smaller, 15" spare tire carriage and you want to fit a bigger tire in there, this is the kit for you. This stainless steel extension bracket system is guaranteed to allow you to fit a 235/60R16 tire in the spare tire area. It could potentially go bigger, but we'll leave that experimentation up to you.

Tools Needed 
<ul style="list-style-type: none"> • Two 19mm wrenches OR one 19mm wrench AND one 19mm socket wrench • Pliers

Hardware List 	Parts List 
(2) M12x25mm hex bolts (2) M12x45mm hex bolts (4) M12 flange nuts (4) M12 washers (2) M12 jam nuts	(1) Front extension bracket (1) Rear extension bracket

Note: This installation can be done with the van on the ground, but elevating the rear of the van (or the entire thing) will make it far easier.

1) Completely remove the spare tire carriage from the vehicle. Note that one of the original bolts at the rear mounting point will remain attached to the vehicle.



2) Fasten the front extension bracket to the front end of the carriage, as shown on the next page. Attach the carriage to the bracket before hanging the bracket on the mounting points and inserting the retaining rod. For a 235/60R16 tire, use the middle set of holes in the carriage. For different tire sizes, adjust accordingly. Use two 25mm hex bolts, two washers, and two flange nuts.



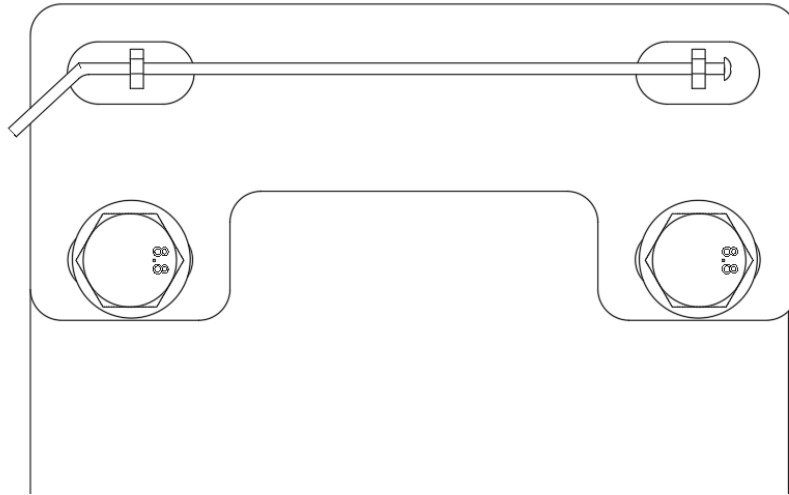
These instructions and the images herein are proprietary. Any unauthorized reproduction is prohibited.

GW-E-SPARE-EXT

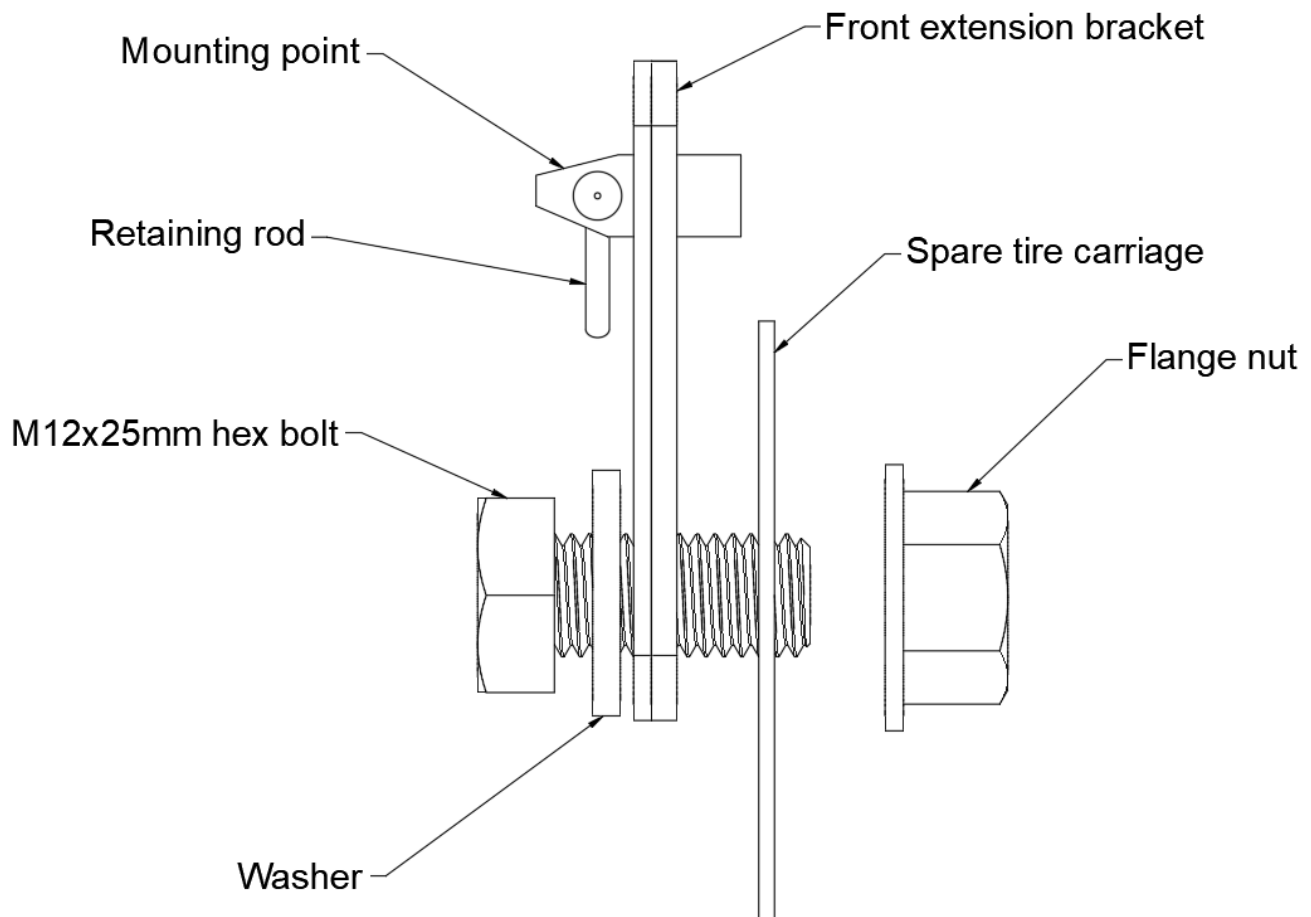
Spare Tire Carrier Extension Brackets for 1998-2000 Eurovan

Front Extension Bracket

View from rear



View from passenger side





These instructions and the images herein are proprietary. Any unauthorized reproduction is prohibited.

GW-E-SPARE-EXT

Spare Tire Carrier Extension Brackets for 1998-2000 Eurovan

- 3)** Install the rear extension bracket onto the body of the vehicle. Tighten both original bolts.



- 4)** Place the M12x50mm bolts with washers in the bracket as shown in the diagram on the next page. Thread on the jam nuts. They do not need to be tight against the underside of the bracket. Thread a flange nut onto the right M12 bolt to the desired height, as shown.



- 5)** Test fit the spare tire by hooking the carriage over the flange nut. Lower the tire and adjust the jam nut and flange nut as necessary. When they have been adjusted so the tire is held snugly, tighten both flange nuts completely.



That's it! Cheers to a job well done!



These instructions and the images herein are proprietary. Any unauthorized reproduction is prohibited.

GW-E-SPARE-EXT

Spare Tire Carrier Extension Brackets for 1998-2000 Eurovan

Rear Extension Bracket

View from rear

