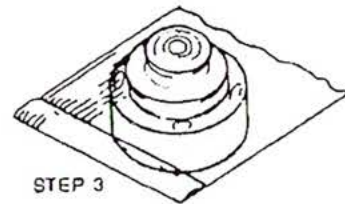
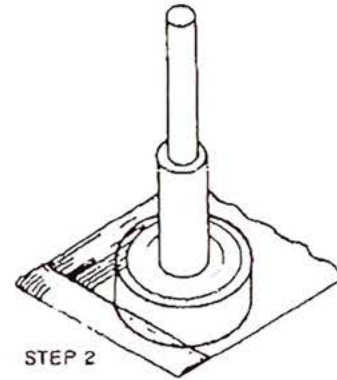
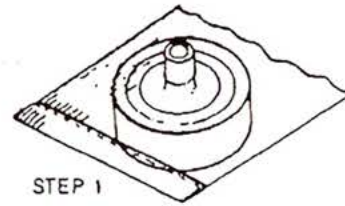
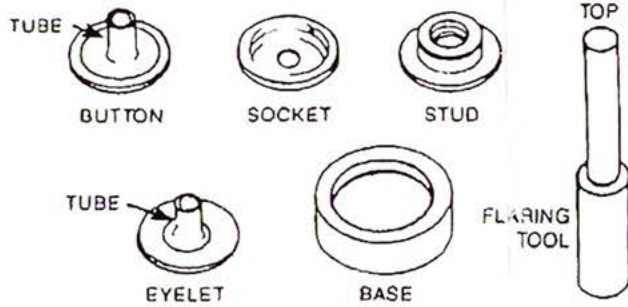


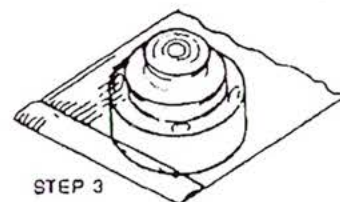
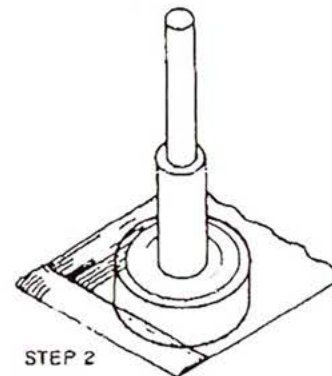
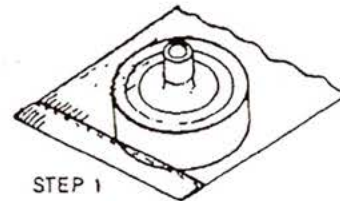
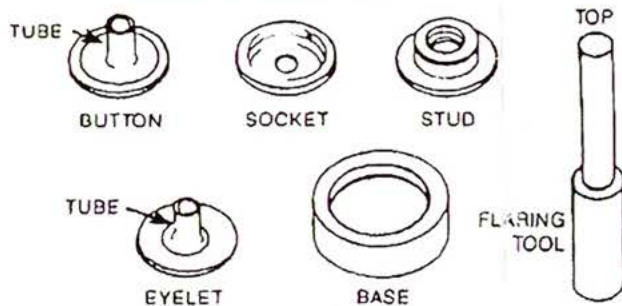
Easy Installation Instructions



STEPS TO FOLLOW

1. Punch hole in material just large enough to insert over button tube (5/32" diameter). Rest rounded side of button (with material in place) in smooth cavity of base on a work bench or other heavy duty surface.
2. Insert socket flat side over tube and material. Place flaring tool bottom over socket and firmly hammer top of flaring tool to set button. (Metals should always be snug to material.) Keep flaring tool straight, perpendicular to base.
3. Other piece of material to match up should have hole punched similar to step 1. Insert eyelet tube up through hole with eyelet resting in opposite side of base. Place stud flat side over eyelet tube and material. Hammer with flaring tool as in step 2.
4. Installation complete. Join with snap button previously completed in step 2.

Easy Installation Instructions



STEPS TO FOLLOW

1. Punch hole in material just large enough to insert over button tube (5/32" diameter). Rest rounded side of button (with material in place) in smooth cavity of base on a work bench or other heavy duty surface.
2. Insert socket flat side over tube and material. Place flaring tool bottom over socket and firmly hammer top of flaring tool to set button. (Metals should always be snug to material.) Keep flaring tool straight, perpendicular to base.
3. Other piece of material to match up should have hole punched similar to step 1. Insert eyelet tube up through hole with eyelet resting in opposite side of base. Place stud flat side over eyelet tube and material. Hammer with flaring tool as in step 2.
4. Installation complete. Join with snap button previously completed in step 2.