




These instructions and the images herein are proprietary. Any unauthorized reproduction is prohibited.

FRONT-SUSP-HW-S-2WD

Front Suspension Hardware Kit for
2WD Vanagon with Stamped Control Arms

Did you notice a bunch of rusty and corroded bolts the last time you crawled under your Vanagon? Give those critical suspension components a better-than-OEM shine with this class 10.9 steel, zinc-coated hardware, and take a deep breath with the knowledge that your suspension hardware is fresh, just like the air you'll breathe when you arrive safely at your destination.

Hardware List 	Part # in Diagram
(2) Lower Control Arm Bolt: M12x1.5x110 Hex Partial (2) Lower Control Arm Nut: M12 Hex Nut (2) Lower Control Arm Washer: M12 Mech Lock (2) Radius Rod Nut: M18x1.5 Hex Nut (2) Radius Rod Lock Nut: M18x1.5 Nylock Nut (6) Ball Joint Adapter Bolt: M10x1.5x80 Hex Partial (6) Ball Joint Adapter Lock Nut: M10x1.5 Nylock (6) Ball Joint Adapter Washer: M10 Mech Lock	<u>Diagram A</u> 19 21 20 6A 6 14 16 15
(2) Front Lower Shock Bolt: M14x1.5x110 Hex Partial (2) Front Lower Shock Nut: M14x1.5 Hex (2) Front Lower Shock Washer: M14 Flat	<u>Diagram B</u> 19 20 19A



These instructions and the images herein are proprietary. Any unauthorized reproduction is prohibited.

FRONT-SUSP-HW-S-2WD

Front Suspension Hardware Kit for
2WD Vanagon with Stamped Control Arms

Bolt Size Chart

Check here to make sure you're using the correct size bolts. Length is measured from the underside of the bolt head.

Lower Control Arm Bolt: M12x1.5x110 Hex Partial

2WD Ball Joint Adapter Bolt: M10x1.5x80 Hex Partial

Front Lower Shock Bolt: M14x1.5x110 Hex Partial

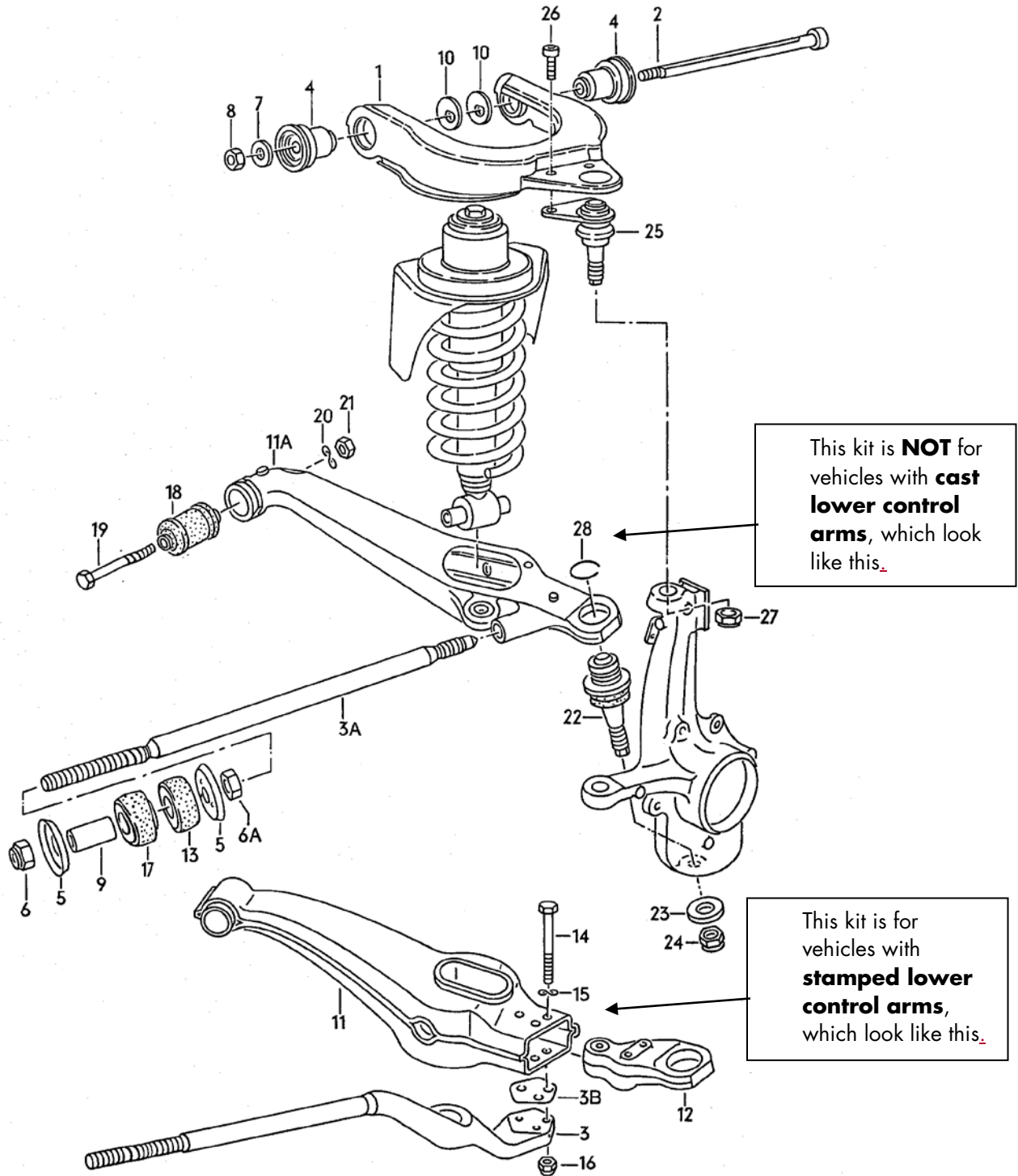


These instructions and the images herein are proprietary. Any unauthorized reproduction is prohibited.

FRONT-SUSP-HW-S-2WD

Front Suspension Hardware Kit for
2WD Vanagon with Stamped Control Arms

Diagram A





These instructions and the images herein are proprietary. Any unauthorized reproduction is prohibited.

FRONT-SUSP-HW-S-2WD

Front Suspension Hardware Kit for
2WD Vanagon with Stamped Control Arms

Diagram B

