




These instructions and the images herein are proprietary. Any unauthorized reproduction is prohibited.

## FRONT-SUSP-HW-C-4WD

Front Suspension Hardware Kit for  
4WD Vanagon (Syncro) with Cast Control Arms

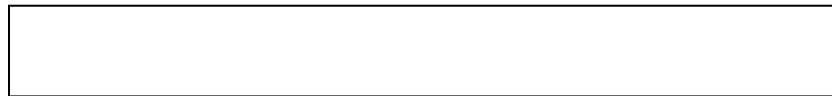
Did you notice a bunch of rusty and corroded bolts the last time you crawled under your Vanagon? Give those critical suspension components a better-than-OEM shine with this class 10.9 steel, zinc-coated hardware, and take a deep breath with the knowledge that your suspension hardware is fresh, just like the air you'll breathe when you arrive safely at your destination.

<b>Hardware List</b> 	<b>Part # in Diagram</b>
(2) Lower Control Arm Bolt: M12x1.5x110 Hex Partial (2) Lower Control Arm Nut: M12 Hex Nut (2) Lower Control Arm Washer: M12 Mech Lock (2) Radius Rod Nut: M18x1.5 Hex Nut (2) Radius Rod Lock Nut: M18x1.5 Nylock Nut  (2) Front Lower Shock Bolt: M14x1.5x100 (2) Front Lower Shock Nut: M14x1.5 Hex (2) Front Lower Shock Washer: M14 Flat	<u>Diagram A</u> 19 21 20 6A 6  <u>Diagram B</u> 19 20 19A

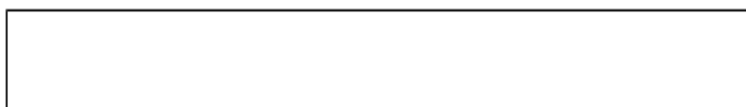
### **Bolt Size Chart**

Check here to make sure you're using the correct size bolts. Length is measured from the underside of the bolt head.

Lower Control Arm Bolt: M12x1.5x110 Hex Partial



Front Lower Shock Bolt: M14x1.5x100 Hex Partial



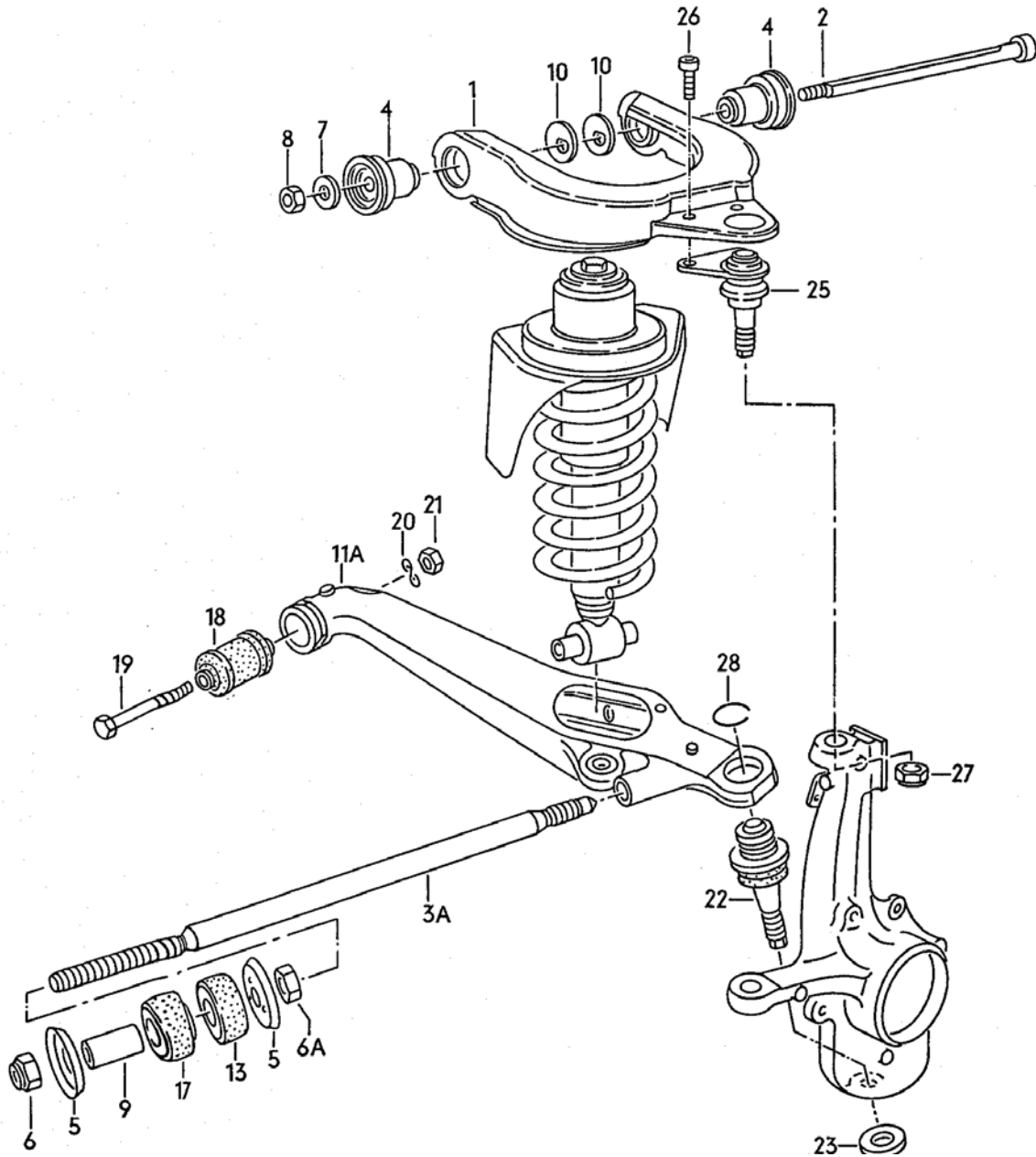


These instructions and the images herein are proprietary. Any unauthorized reproduction is prohibited.

## FRONT-SUSP-HW-C-4WD

Front Suspension Hardware Kit for  
4WD Vanagon (Syncro) with Cast Control Arms

Diagram A





These instructions and the images herein are proprietary. Any unauthorized reproduction is prohibited.

## FRONT-SUSP-HW-C-4WD

Front Suspension Hardware Kit for  
4WD Vanagon (Syncro) with Cast Control Arms

Diagram B

