



EVC-TIEDOWN-KIT

1993-2003 Eurovan

Tired of not being able to fit anything into the infamously small Eurovan luggage rack? Well worry no more! This kit will provide everything you will need to take out the old space consuming luggage rack bars and swap in our GoWesty tie downs!

Tools Needed

- Electric drill
- 1/2" Combination and socket wrench
- 5/16" nutsetter, or socket adapter for electric drill that can hold a 5/16" bit. This tool makes this job much easier!

DISCLAIMER: This kit has been designed for easy installation. The installation of this kit is not within everyone's ability. Read through these instructions carefully and decide if installing it is for you.

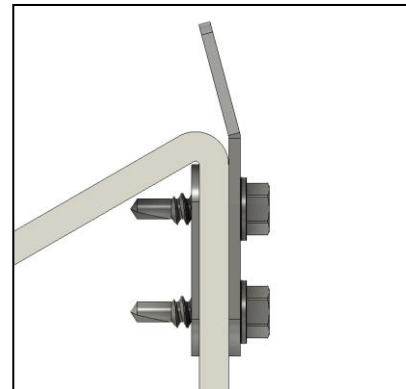
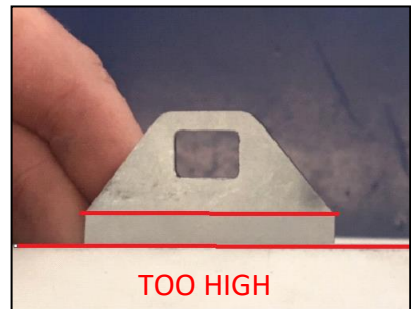
INSTALLATION INSTRUCTIONS:

1. Remove the luggage rack tie down loops by taking out the 5/16" bolts with a 1/2" combination and socket wrench. Hold onto the bolts and washers, you will need them later. Remove the luggage rack and set it aside. This would be a good time to do a little cleaning up there if you haven't in a while!
2. With the luggage rack off, locate where you'll mount the GoWesty tie downs to it. We personally like three in the front and back, with one on each side. You can tailor their locations to meet your own storage needs.

Note: Try to make the bracket face as flush to the luggage rack as possible. Keep in mind the length of the screws and the backing plate when choosing a location before drilling. We've found 12" from the corners (and anywhere in between) on the front and back faces to be a safe location.

Also note: Do not to mount the brackets too high. It may be impossible to get the back plate in if located improperly. To be safe, line up the bend line on the bracket with the top of the roof rack. See images to the right for clarification.

3. Before screwing on the bracket, make sure the self drilling tip of each screw fits through the back plate. If not carefully, drill it out with the screw.
4. Firmly press the plate against the luggage rack (You can choose whether the bend faces in or out). With the bracket at the desired height and angle, secure it with two of the provided self-drilling screws. Reach behind the luggage rack and slip the backing plate over the screw tips in the correct orientation. Applying a little pressure to the plate, slowly begin to drill in the screws until the back plate is secured. Install which ever two screws remain. Repeat for the other seven brackets.
5. Once all eight brackets have been mounted, use the new GoWesty tie down plates and original 5/16" bolts to secure the luggage rack back in place.



That's It! You can now slap some gear up there for likely the first time!