



These instructions and the images herein are proprietary. Any unauthorized reproduction is prohibited.

EVC-LUGGAGE-BRACKETS

Stainless Steel EVC Luggage Rack Brackets

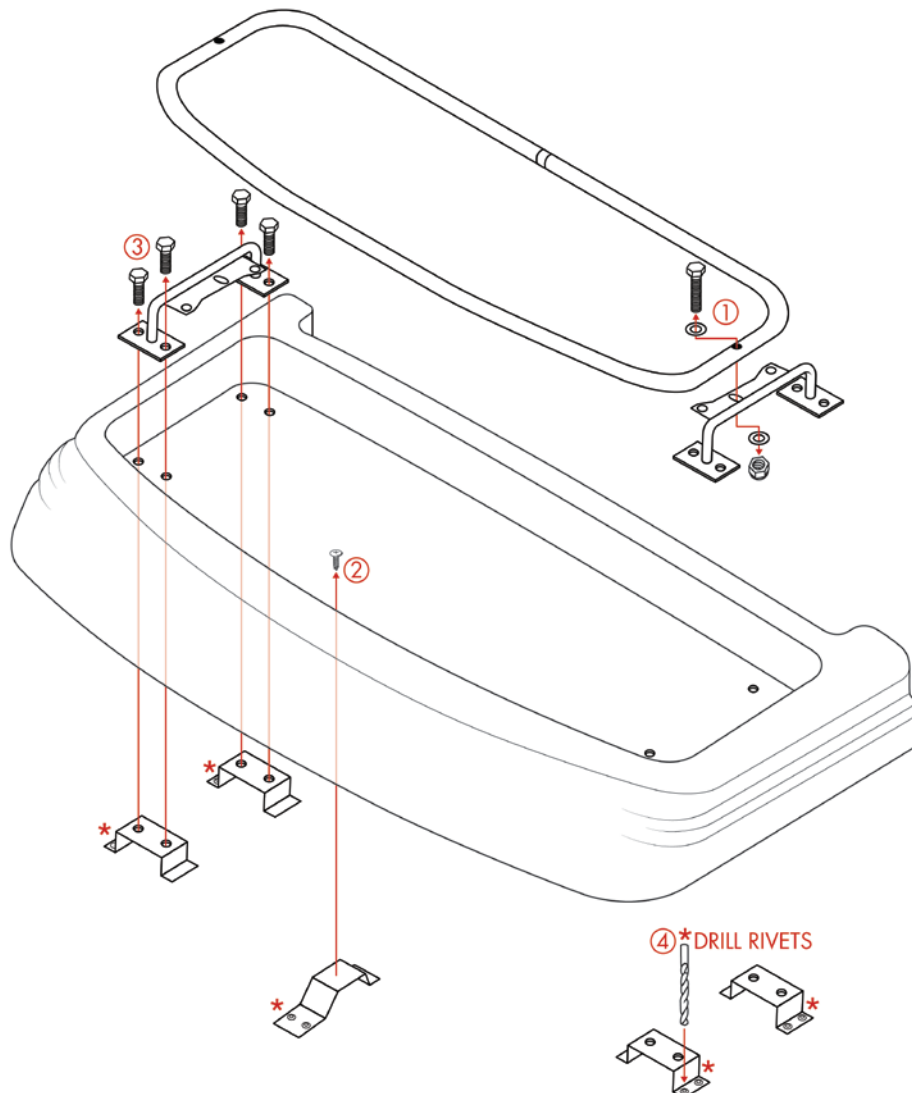
Tools Needed

- Philips screwdriver
- Rivet gun
- Drill
- 13mm socket
- 3/16" drill bit
- 13mm wrench
- Exterior Grade Silicone Sealant

DISCLAIMER: *This kit has been designed for easy installation. However, it does involve drilling into the body of your vehicle and installing rivets. The installation of this kit is not within everyone's ability. Read through these instructions carefully and decide if installing it is for you. If not, please take your vehicle to a qualified automotive specialist.*

REMOVING THE LUGAGGE RACK

1. Remove the 8mm bolts securing the tie-down loop (if present) to the hold down bars.
2. Remove the small phillips screw at the front center of the luggage rack.
3. Remove the 8mm bolts securing the hold down bars to the roof and lift off the luggage rack.
4. Drill or grind off the rivet heads holding the original brackets to the roof.





These instructions and the images herein are proprietary. Any unauthorized reproduction is prohibited.

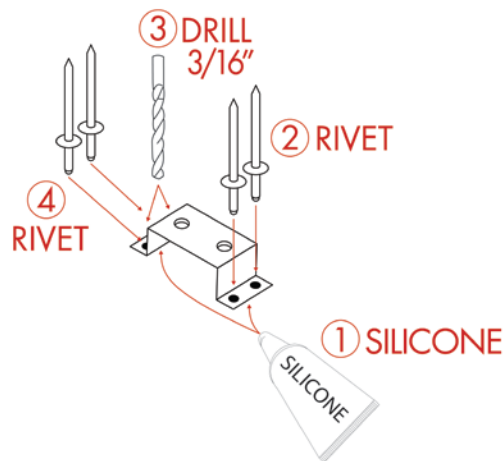
EVC-LUGGAGE-BRACKETS

Stainless Steel EVC Luggage Rack Brackets

INSTALLING THE NEW BRACKETS

Note: Be aware of the orientation of the brackets on the roof. The taller brackets go in the front and the shorter brackets in the rear. The short side of each bracket faces the middle of the van.

5. Drill or grind off the rivet heads holding the old brackets to the roof of the van. Remove the brackets and clean the area where you will be placing the new brackets. Apply silicone around each hole on the bottom of each bracket, then rivet the outside two holes. After riveting one side of the bracket, drill the two new holes with a 3/16" or equivalent drill bit, taking great care not to damage the headliner. Install rivet in the new holes. Repeat this process for all four brackets.



6. If installing a new luggage rack seal (not included), start in the center of the back edge. Push it on using your hands or gently tap it into place with a rubber mallet or a soft face hammer.
7. Install the luggage rack in the reverse order it was removed. Use antisieze on the stainless bolts and screws. Note that the hole for the screw in the front bracket varies on every van, so it is not predrilled.