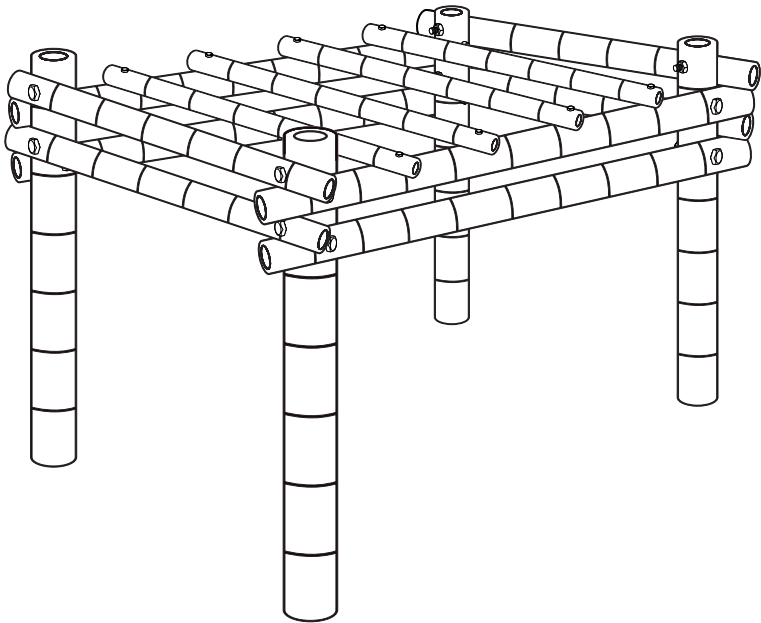


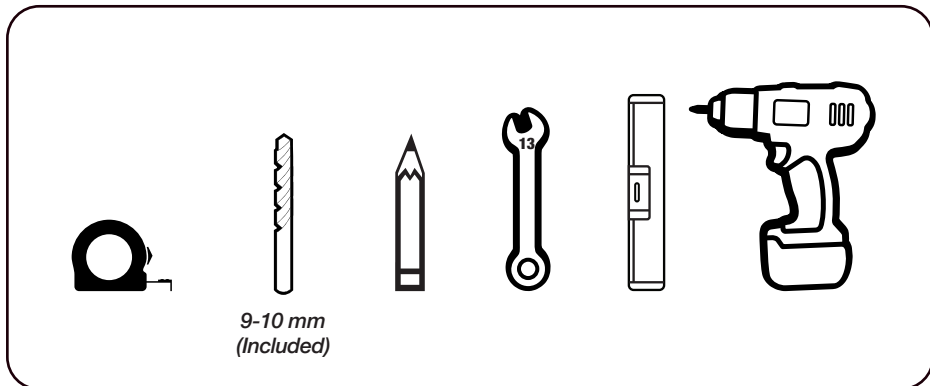
# **Handleiding Bamboe Pergola Java 3x3**

---

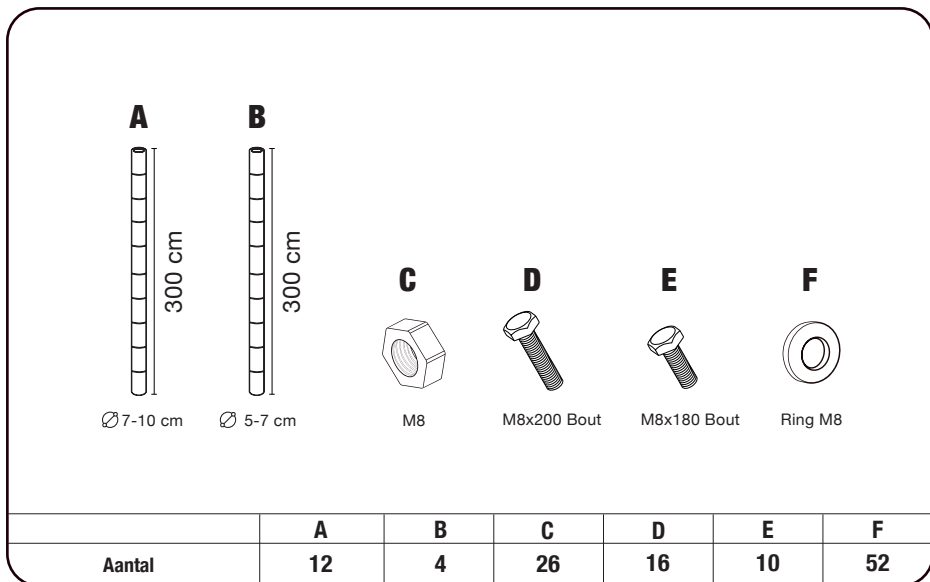
## **Manual Bamboo Pergola Java 3x3**

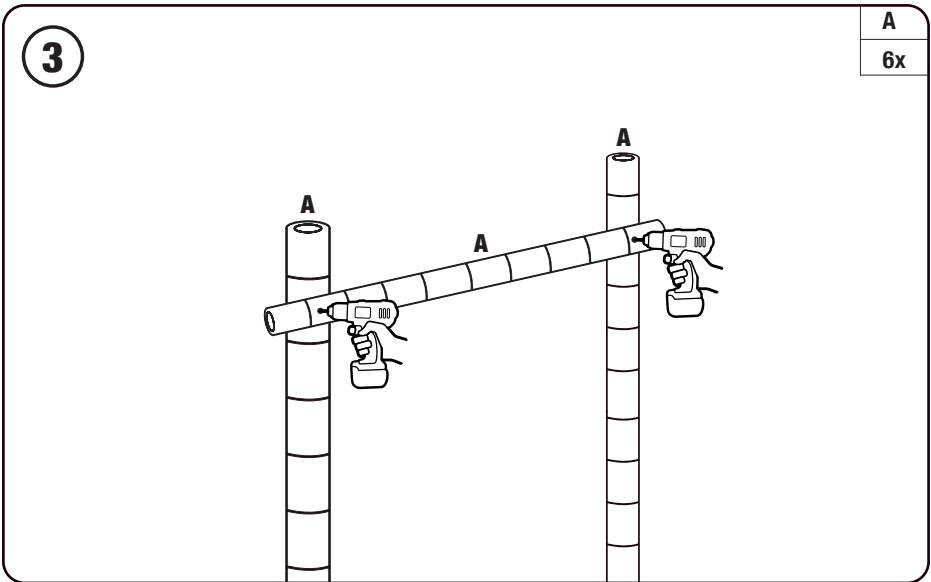
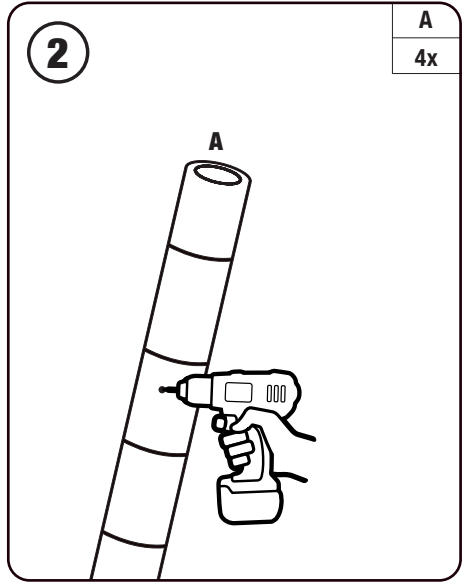
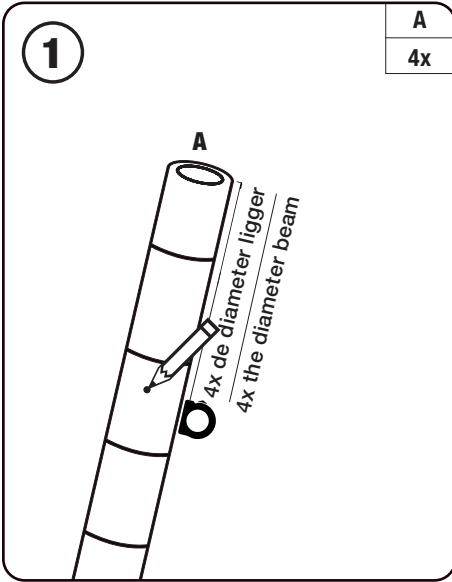


## Gereedschap / Tools



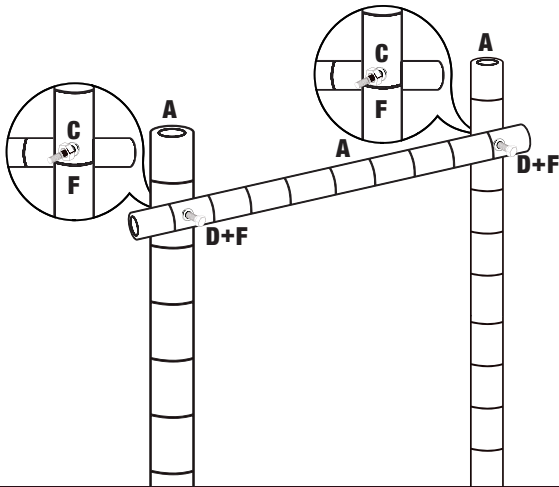
## Materiaal / Material





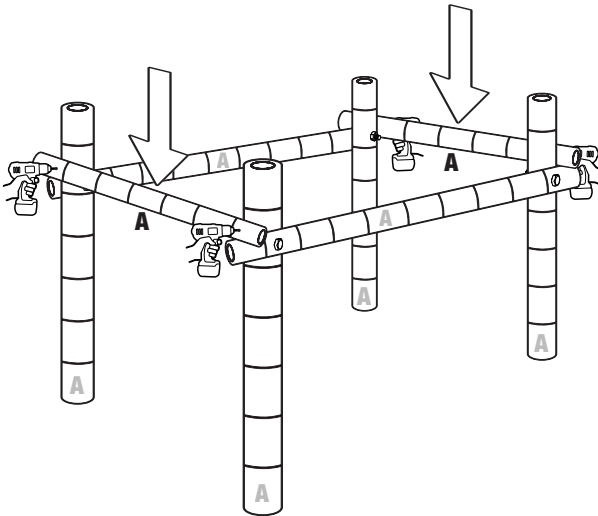
4

A	C	D	F
6x	4x	4x	8x



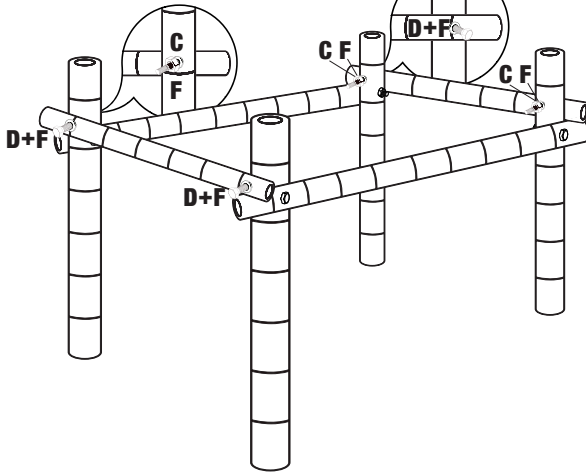
5

A
2x



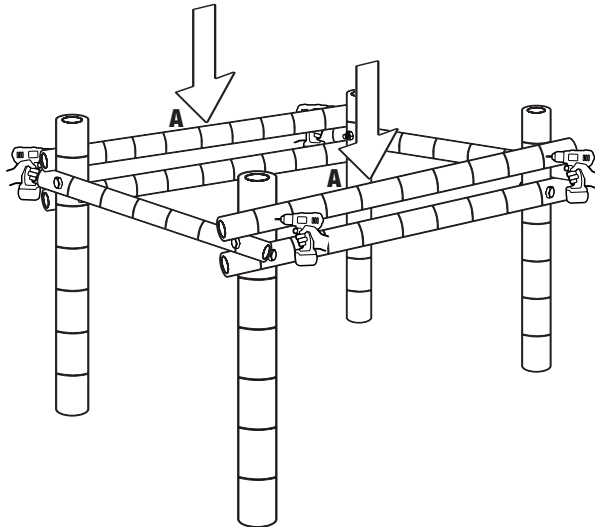
6

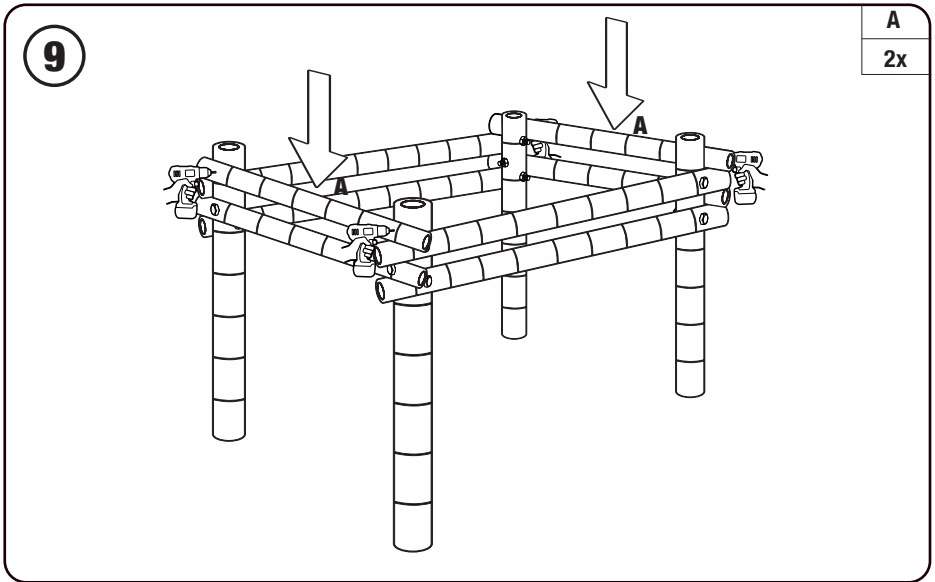
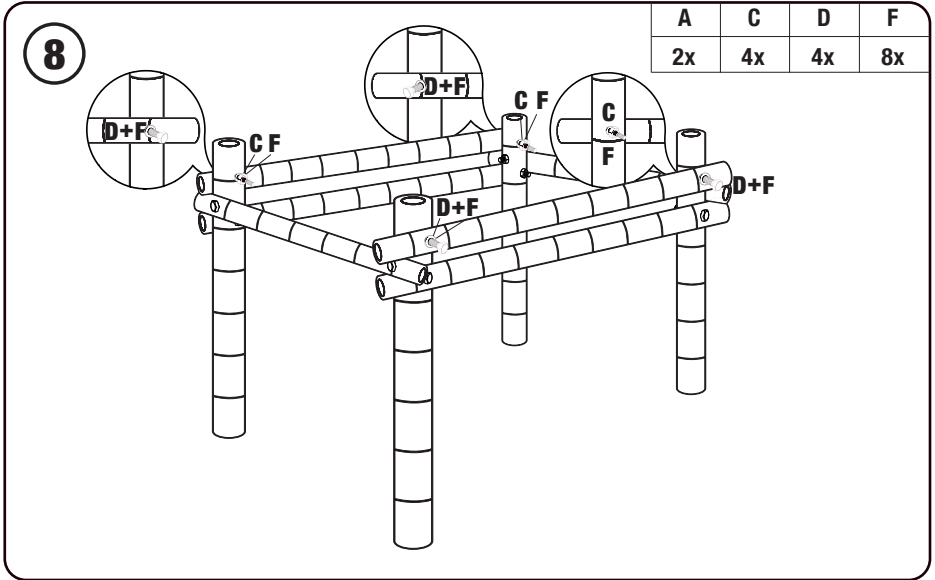
A	C	D	F
2x	4x	4x	8x



7

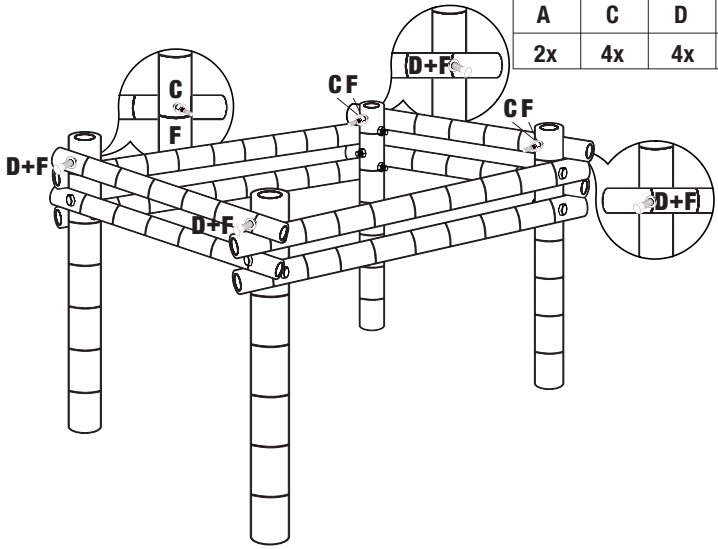
A
2x





10

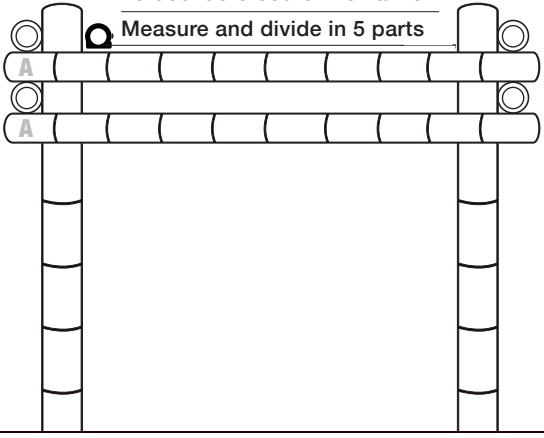
A	C	D	F
2x	4x	4x	8x



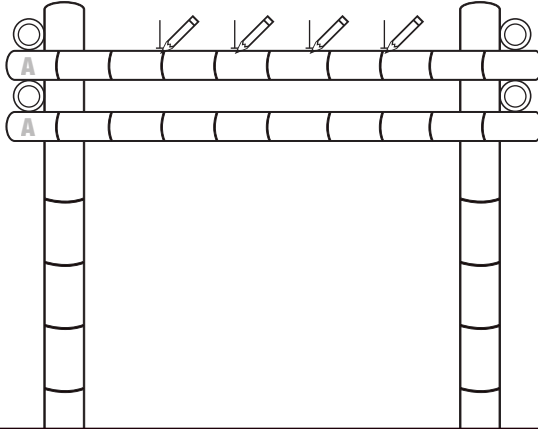
11

Verdeel de breedte in 5 vakken

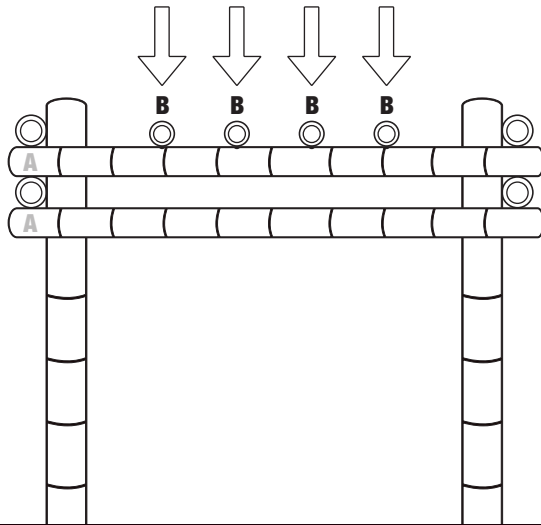
Measure and divide in 5 parts



12



13

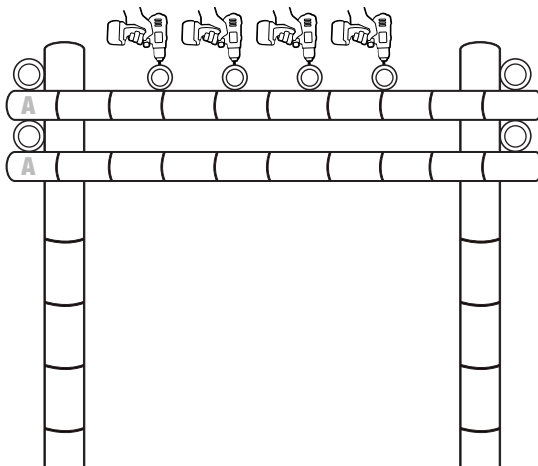


B  
4x



14

B  
4x



15

B	C	E	F
4x	8x	8x	16x

