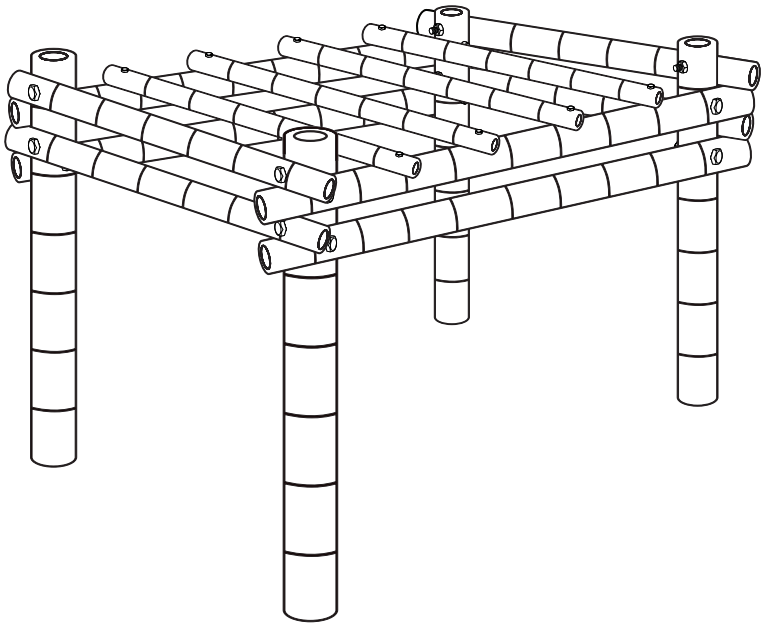


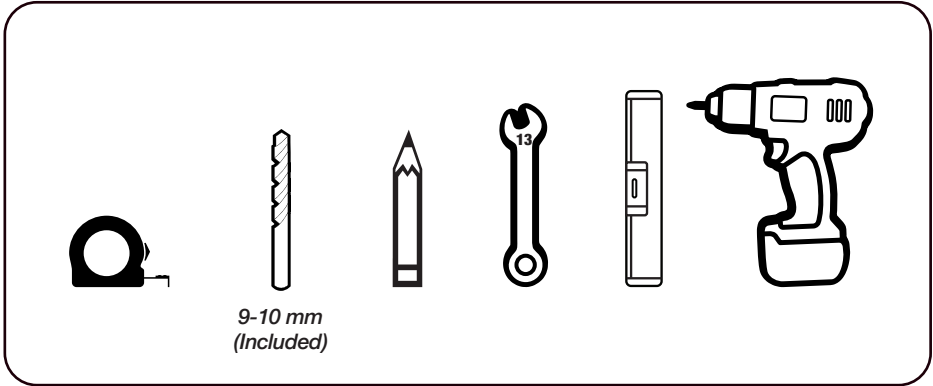
# **Handleiding Bamboe Pergola Java 2x3**

---

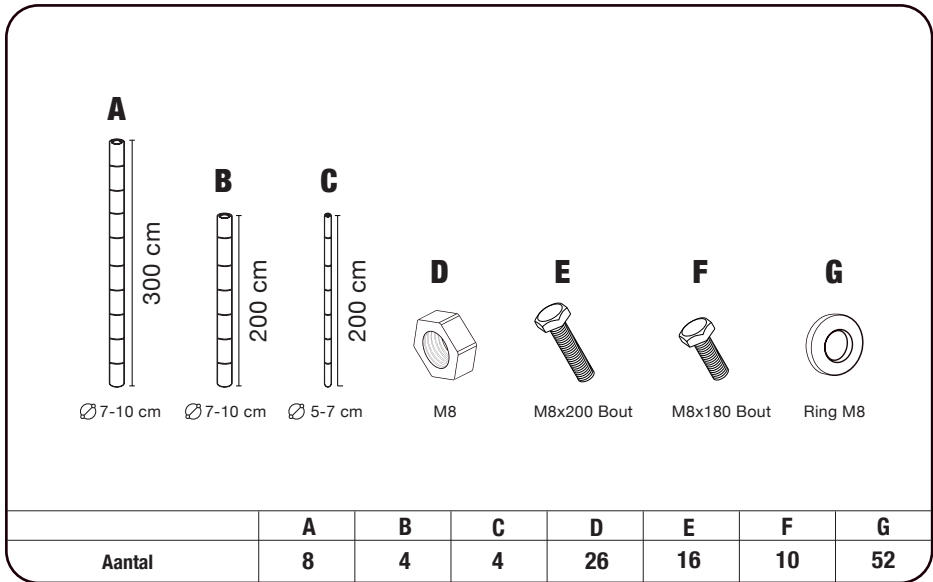
## **Manual Bamboo Pergola Java 2x3**

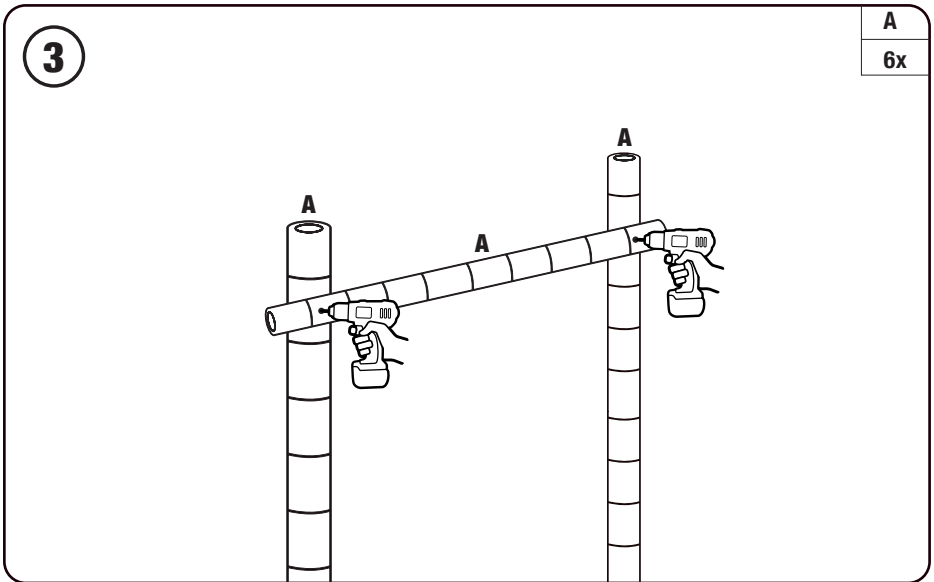
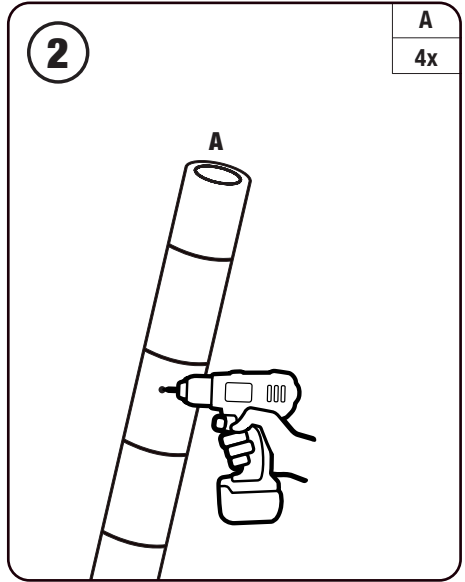
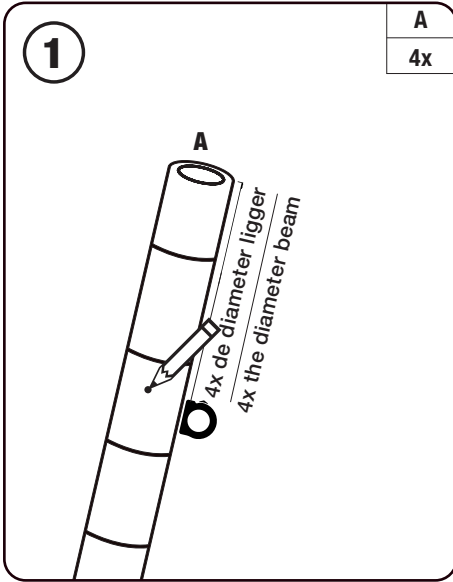


## Gereedschap / Tools



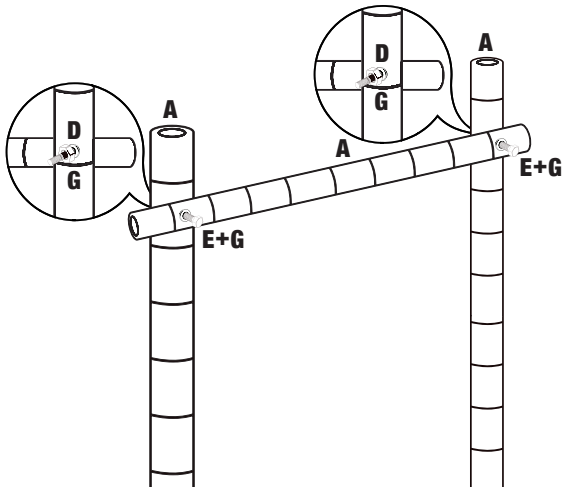
## Materiaal / Material





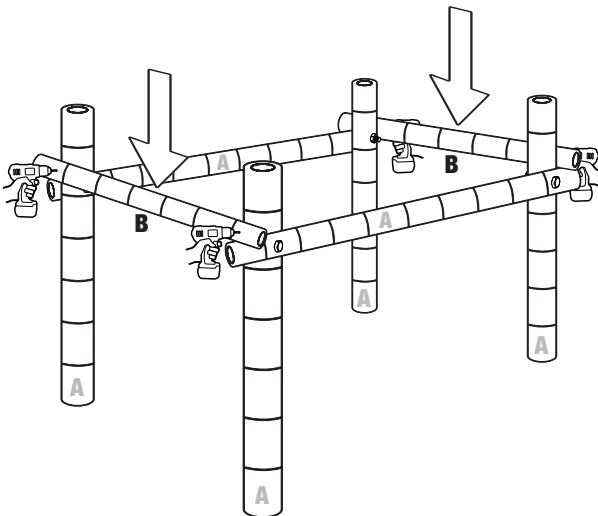
4

A	D	E	G
6x	4x	4x	8x



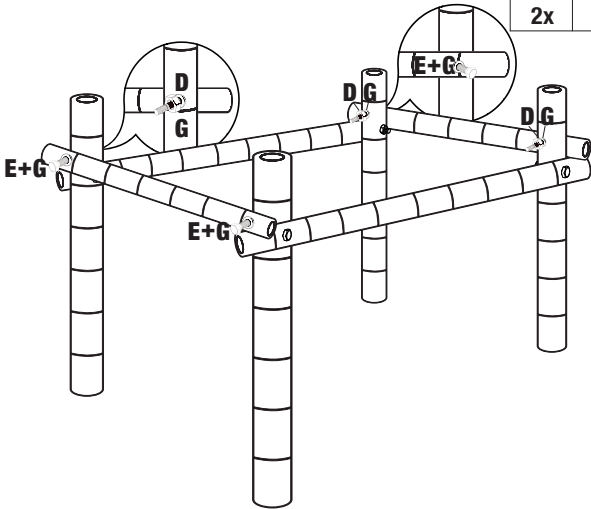
5

B
2x



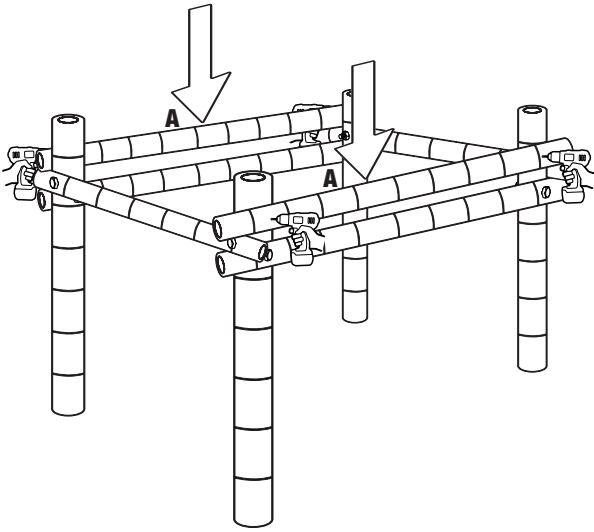
6

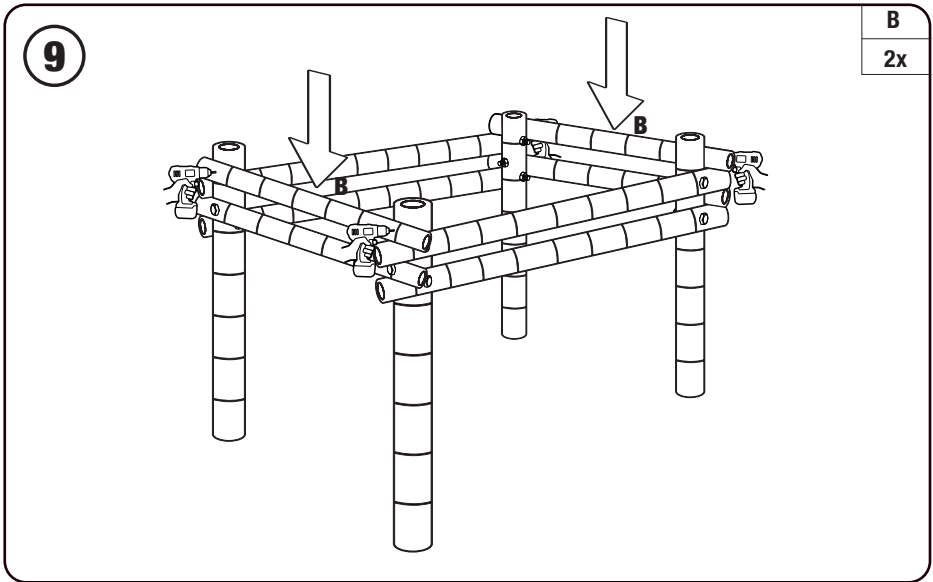
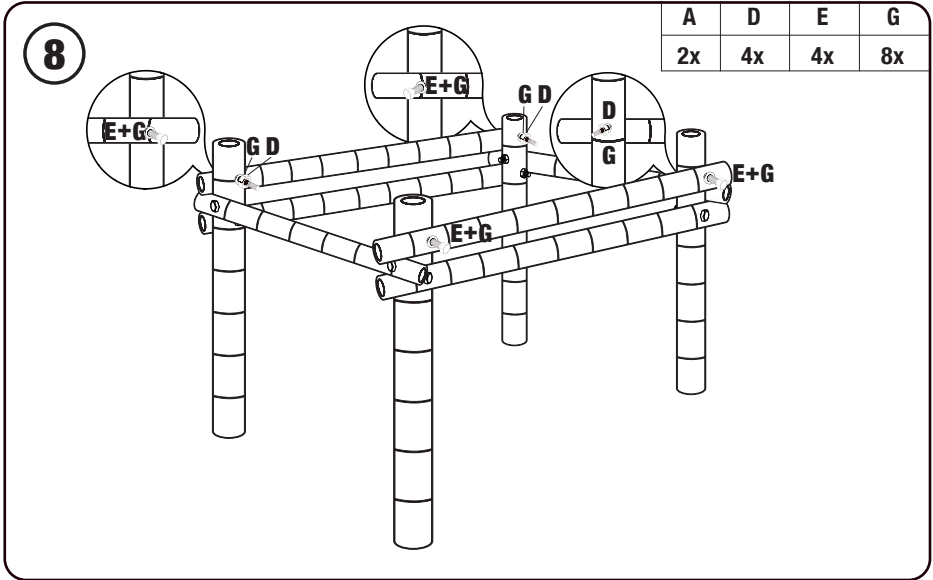
B	D	E	G
2x	4x	4x	8x



7

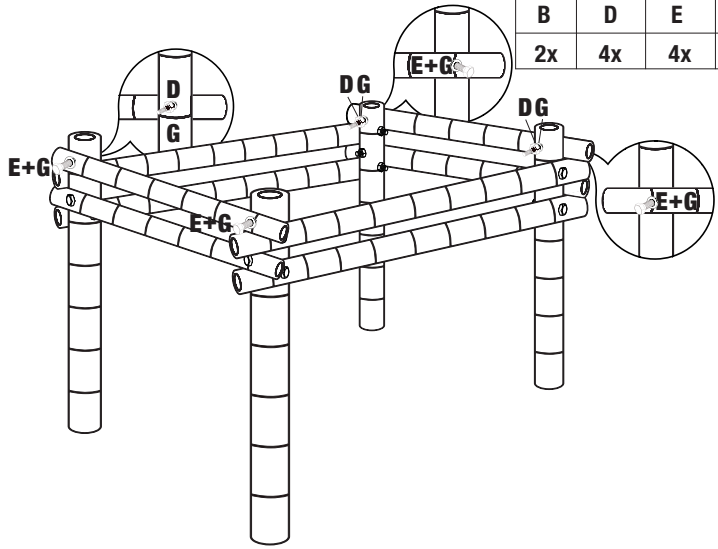
A
2x





10

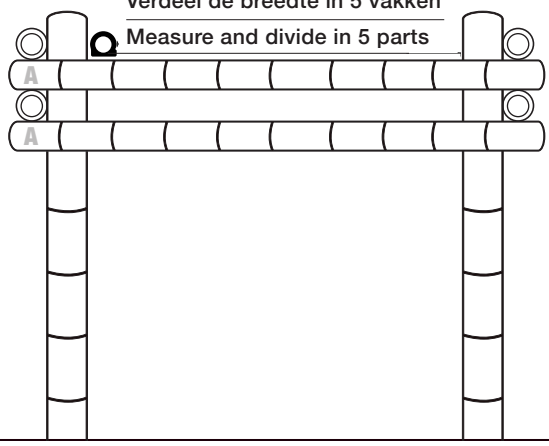
B	D	E	G
2x	4x	4x	8x



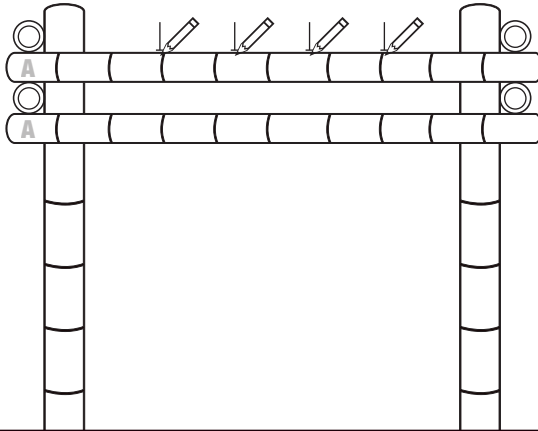
11

Verdeel de breedte in 5 vakken

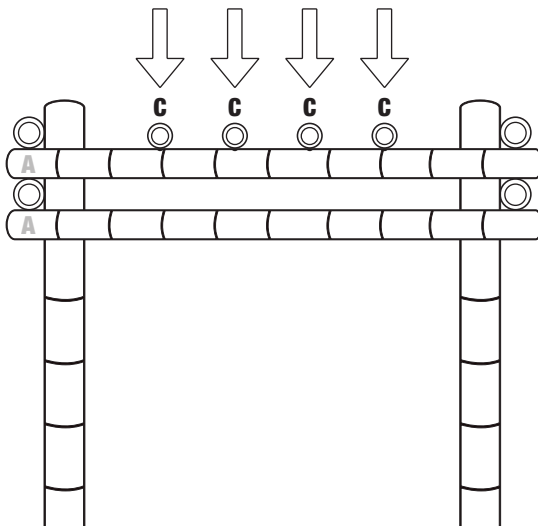
Measure and divide in 5 parts



12



13



C

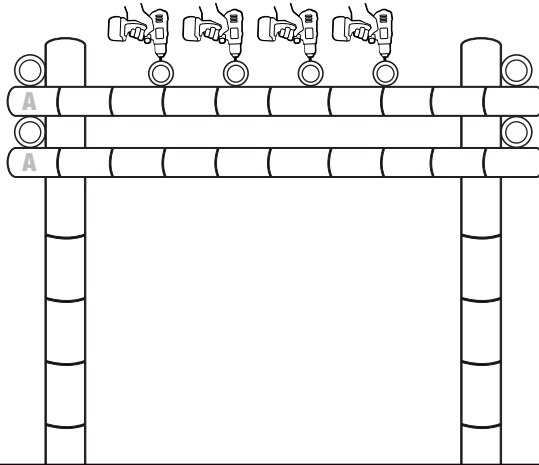
4x



14

C

4x



15

C

D

F

G

4x

8x

8x

16x

